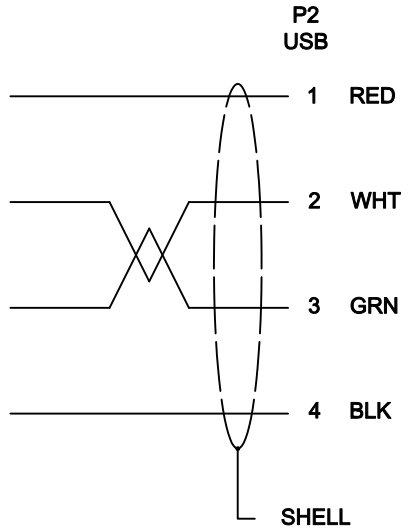
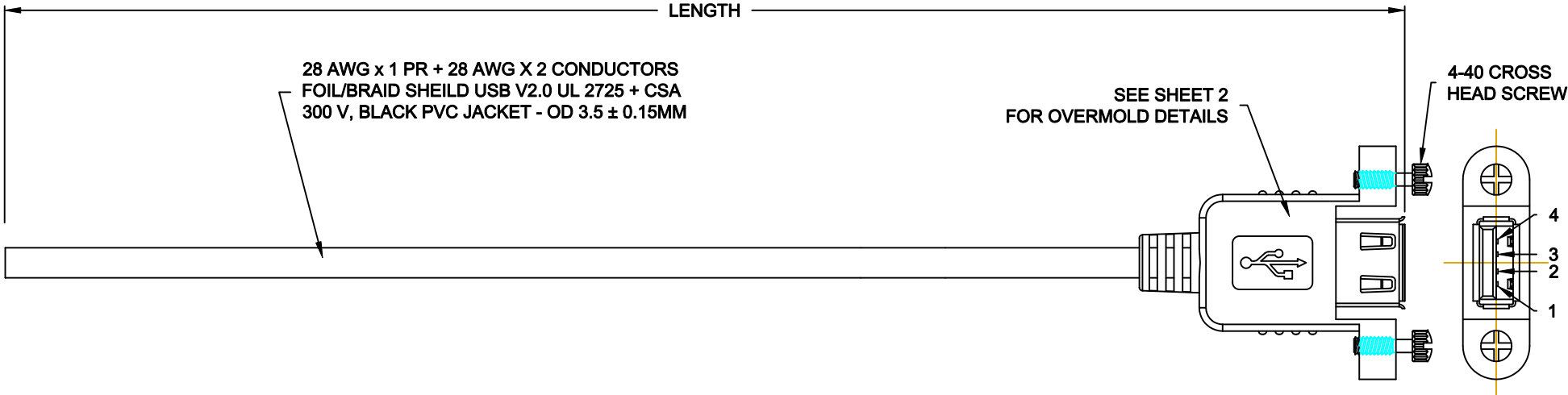


DESCRIPTION: TYPE "A" FEMALE PANEL MOUNT - BLUNT CUT



CONNECTOR PINOUT

CCA-000-Y YY R146

DIMENSION I = INCHES
F = FEET
M = METERS

LENGTH

DO NOT SCALE FROM DRAWING

ALL MATERIALS AND ASSEMBLY METHODS
USED IN THE MANUFACTURE OF THIS CABLE IS
RoHS COMPLIANT

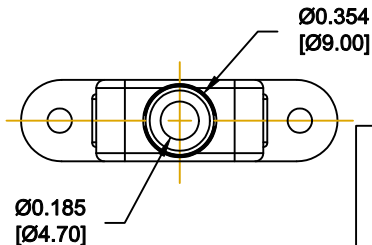
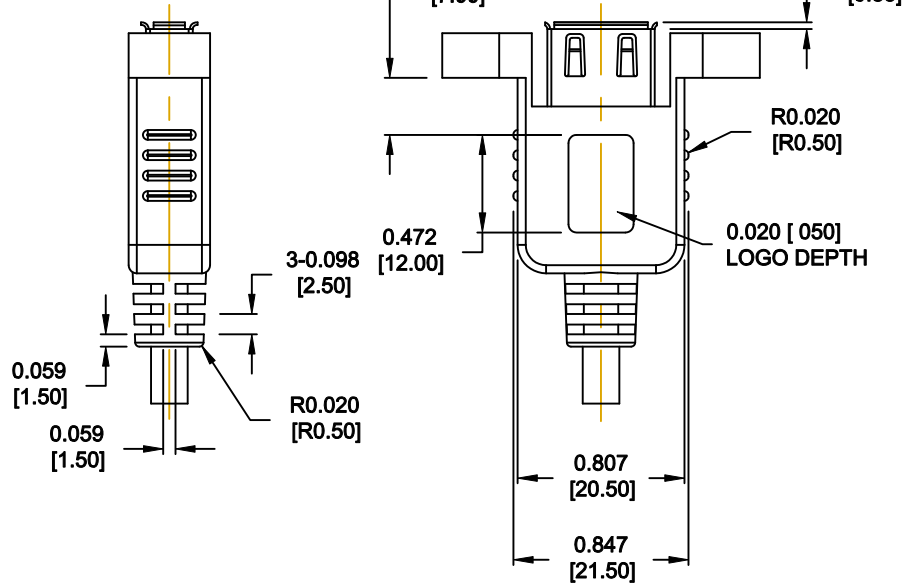
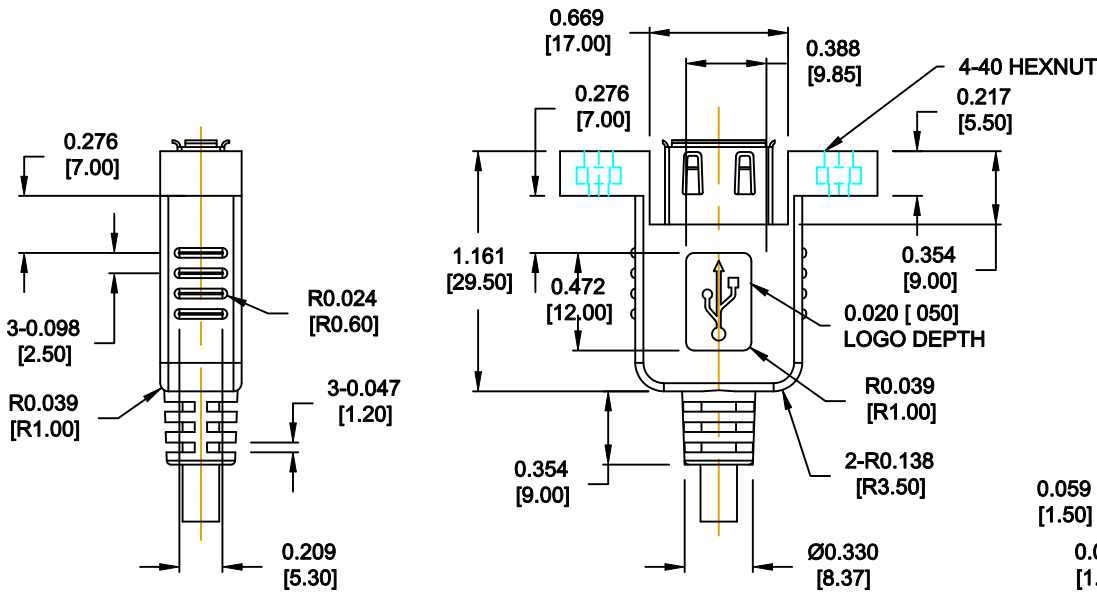
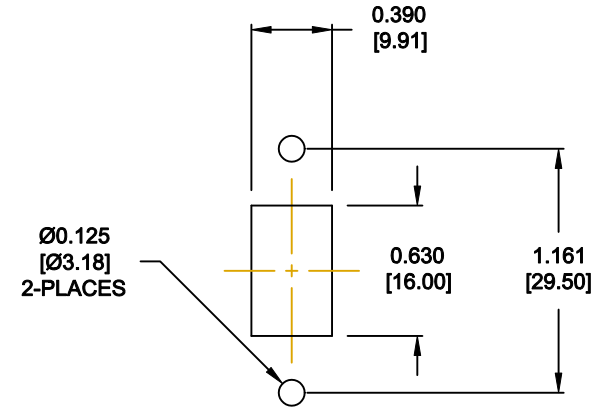
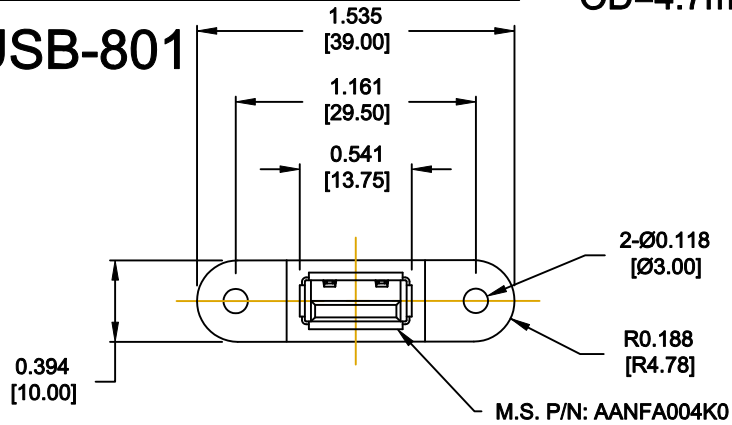
	THESE DRAWINGS AND SPECIFICATIONS ARE THE PROPERTY OF NorComp AND SHALL NOT BE REPRODUCED, COPIED OR USED AS THE BASIS FOR THE MANUFACTURE OF SALE OF APPARATUS WITHOUT WRITTEN PERMISSION.		DRAWN: M. SIGMON	DATE: 11-05-10
			CHECKED:	DATE:
NorComp		SCALE: 1:1	SHEET 1 OF 2	REV 4
		DWG NO. CCA-000-YYR146		

DESCRIPTION: TYPE "A" FEMALE PANEL MOUNT - OVERMOLD DETAILS

OD=4.7mm

RECOMMENDED PANEL CUTOUT

MOLD # LM2-USB-801



THESE DRAWINGS AND SPECIFICATIONS ARE THE PROPERTY OF NorComp AND SHALL NOT BE REPRODUCED, COPIED OR USED AS THE BASIS FOR THE MANUFACTURE OF SALE OF APPARATUS WITHOUT WRITTEN PERMISSION.

DRAWN: M. SIGMON		DATE: 11-05-10	
CHECKED:		DATE:	
SCALE: 1:1	SHEET 2	OF 2	REV 4
DWG NO. CCA-000-YYR146			

NorComp