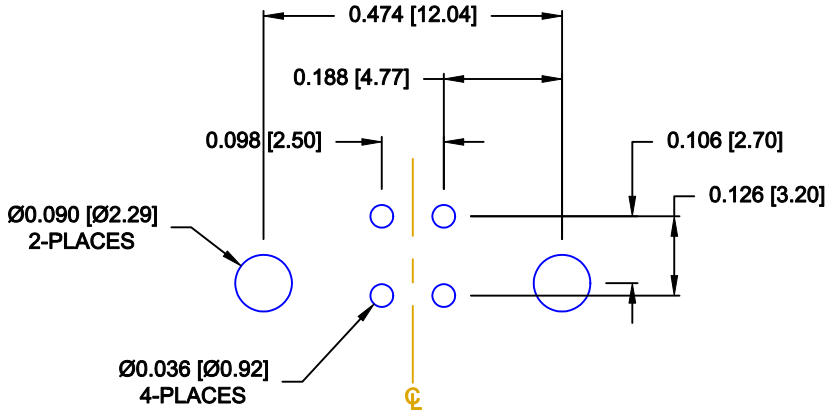
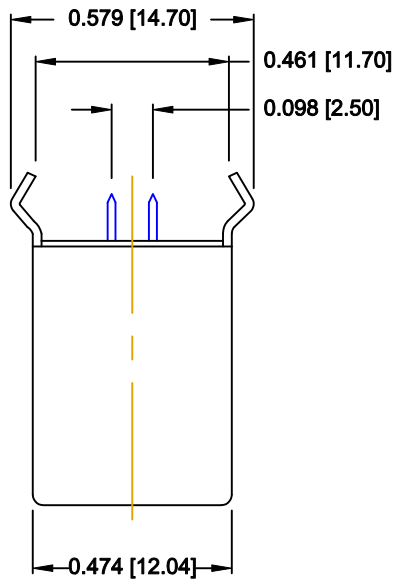


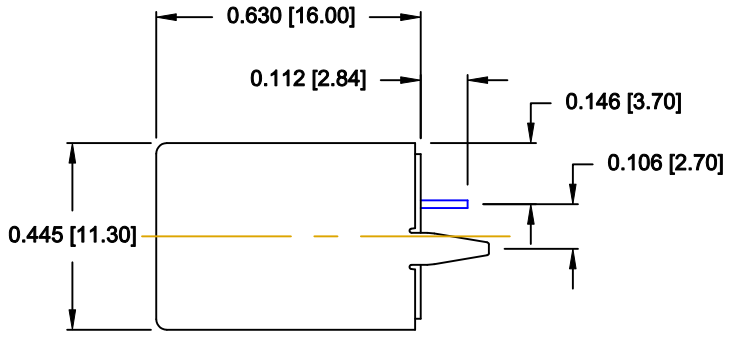
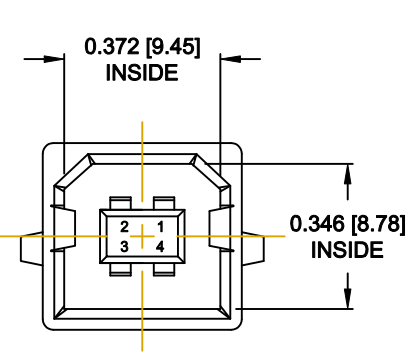
DESCRIPTION: USB TYPE "B", VERTICAL, SINGLE DECK

MATERIALS:

- SHELL: COPPER ALLOY, NICKEL PLATED
- INSULATOR: THERMOPLASTIC
- CONTACTS: COPPER ALLOY
30u" GOLD PLATED ON CONTACT AREA
TIN ON TAIL END



RECOMMENDED PCB LAYOUT
SCALE = 3 : 1



DO NOT SCALE FROM DRAWING

	THESE DRAWINGS AND SPECIFICATIONS ARE THE PROPERTY OF NorComp AND SHALL NOT BE REPRODUCED, COPIED OR USED AS THE BASIS FOR THE MANUFACTURE OR SALE OF APPARATUS WITHOUT WRITTEN PERMISSION.			DRAWN: C. SMITH	DATE: 02-03-10
				CHECKED:	DATE:
NorComp		SCALE: 2 : 1	SHEET 1	OF 1	REV 0
		DWG NO. 061-004-121R010			

RoHS COMPLIANT