

**ELECTRICAL:**

CONTACT CURRENT RATING: 1.5 AMPS  
 DIELECTRIC WITHSTANDING VOLTAGE: 500VAC  
 INSULATION RESISTANCE: 1,000 MegOhms Min.  
 CONTACT RESISTANCE: 30 MilliOhms Max.  
 OPERATING TEMPERATURE: -55°C TO +85°C

**MECHANICAL:**

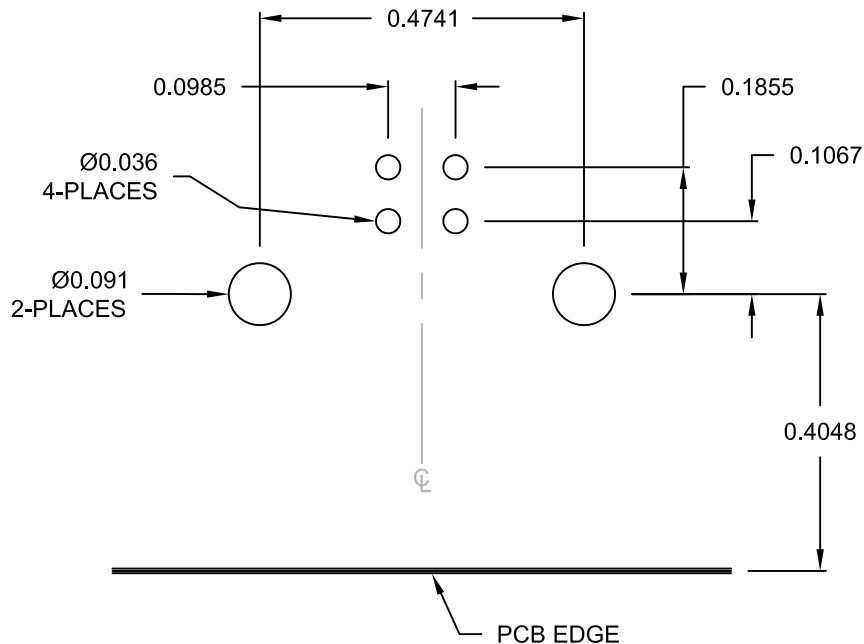
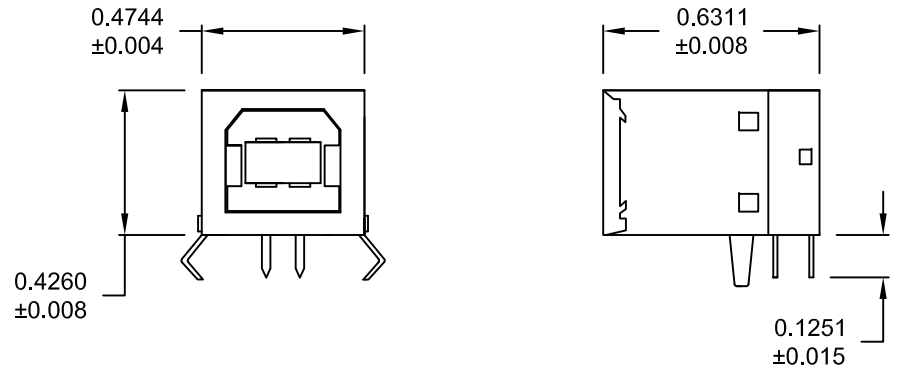
MATING FORCE: 3.5 Kg Max.  
 UNMATING FORCE: 1.0 Kg Min.

**MATERIALS:**

CONTACTS: COPPER ALLOY  
 INSULATOR: SEE PART KEY BELOW  
 SHELL: STEEL

**PLATING:**

CONTACTS: 30u" GOLD (MATING AREA)  
 TIN (LEAD FREE) SOLDER TAILS  
 SHELL: NICKEL PLATED  
 USB VERSION: 2.0



**RECOMMENDED PCB LAYOUT**

SCALE = 3 : 1

**060-004-121Y010**

L = 230°C PBT  
 R = 260°C PA9T

**RoHS COMPLIANT**

UNITS = INCHES [MM] DO NOT SCALE FROM DRAWING



THESE DRAWINGS AND SPECIFICATIONS ARE THE PROPERTY OF NorComp AND SHALL NOT BE REPRODUCED, COPIED OR USED AS THE BASIS FOR THE MANUFACTURE OR SALE OF APPARATUS WITHOUT WRITTEN PERMISSION.

DRAWN:

J. KADEL

DATE:

11/07/2018

**NorComp**

SCALE:  
NTS

SHEET 1 OF 1

REV 0

DWG NO.

060-004-121Y010