

DESCRIPTION: DUAL PORT USB TYPE A FLAG STYLE

ELECTRICAL:

CONTACT CURRENT RATING: 1.0 AMPS
 DIELECTRIC WITHSTANDING VOLTAGE: 500VAC
 INSULATION RESISTANCE: 1,000 MegOhms Min.
 CONTACT RESISTANCE: 30 MilliOhms Max.
 OPERATING TEMPERATURE: -55°C TO +85°C

MECHANICAL:

MATING FORCE: 3.5 Kg Max.
 UNMATING FORCE: 1.0 Kg Min.

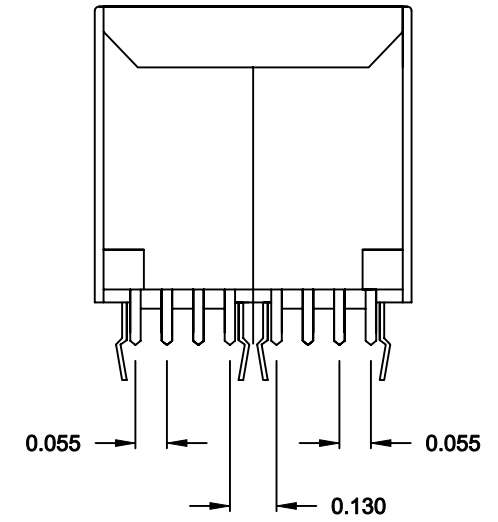
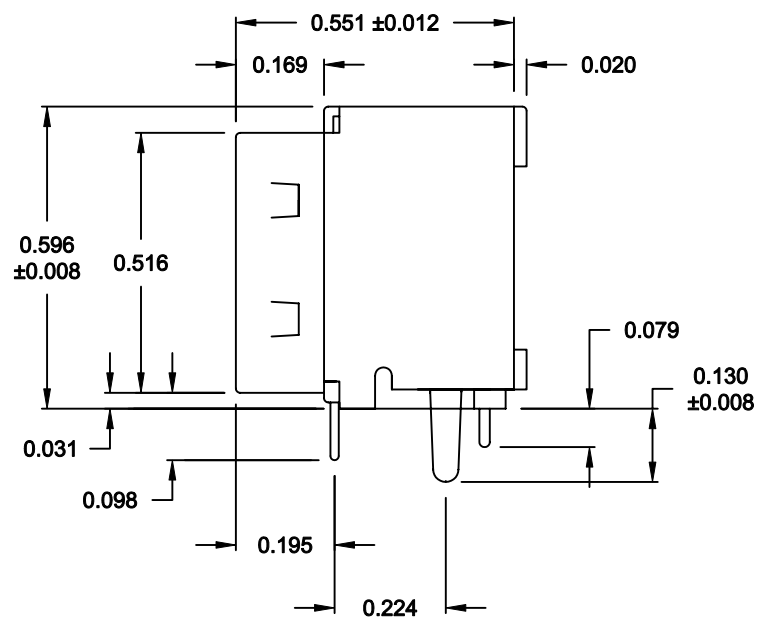
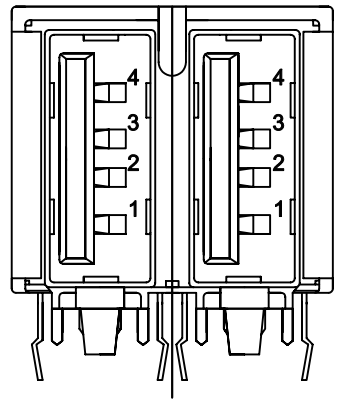
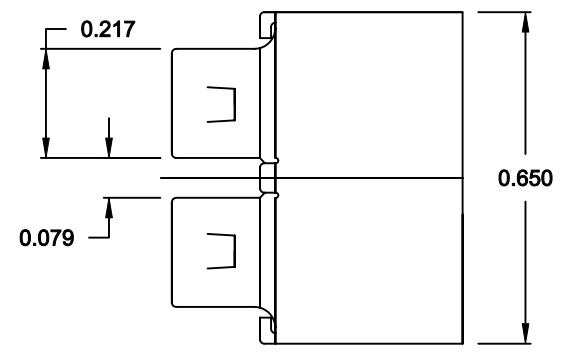
MATERIALS:

CONTACTS: COPPER ALLOY
 INSULATOR: THERMOPLASTIC PA9T UL 94V-0
 SHELL: METAL, NICKEL PLATED

PLATING:


CONTACTS: 30u" GOLD (MATING AREA)
 TIN (LEAD FREE) SOLDER TAILS
 SHELL: NICKEL PLATED
 USB VERSION: 2.0

PACKAGING:
 SUPPLIED IN TUBES OF 28 PIECES

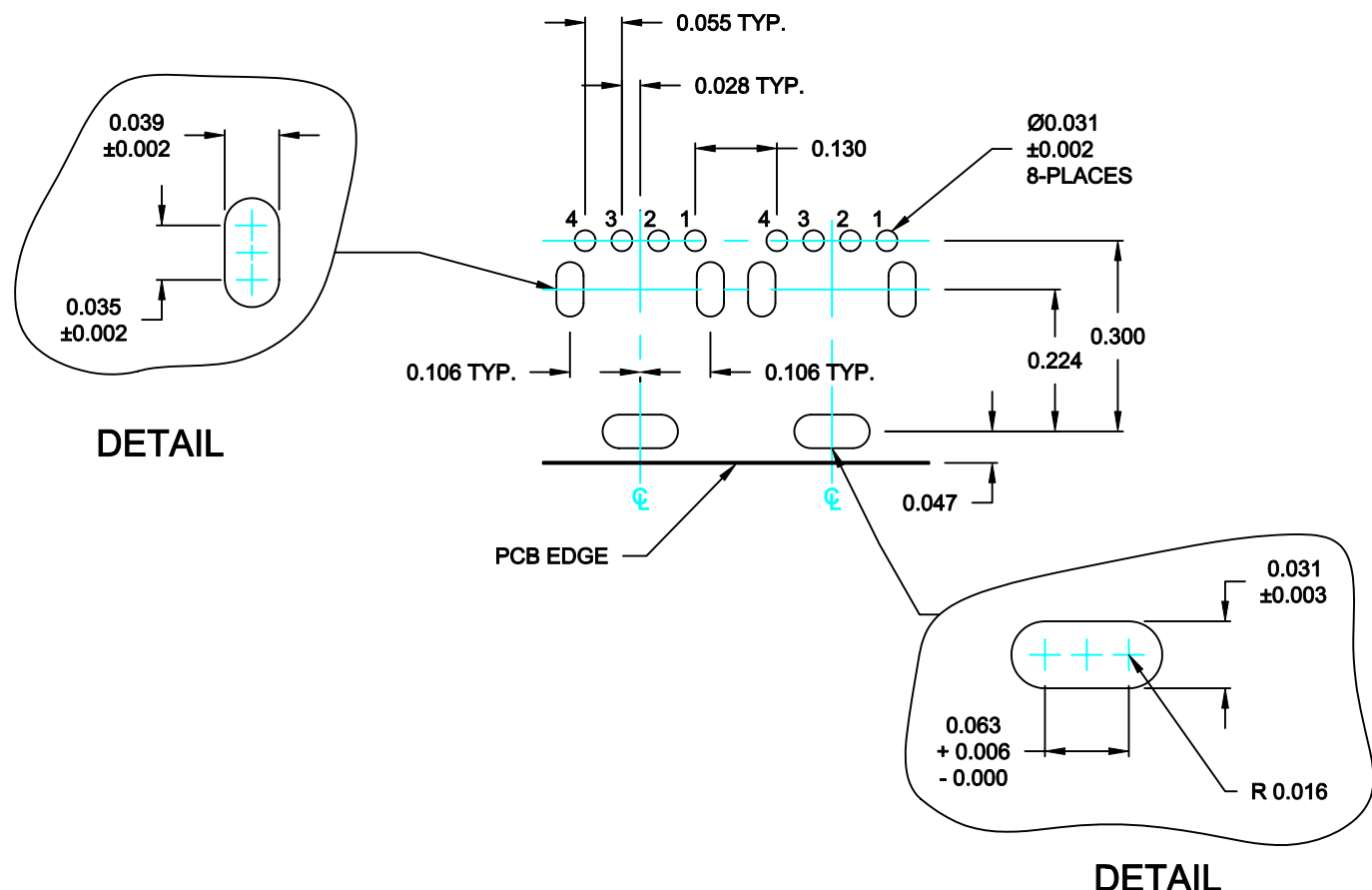


DO NOT SCALE FROM DRAWING

RoHS COMPLIANT

	THESE DRAWINGS AND SPECIFICATIONS ARE THE PROPERTY OF NorComp AND SHALL NOT BE REPRODUCED, COPIED OR USED AS THE BASIS FOR THE MANUFACTURE OR SALE OF APPARATUS WITHOUT WRITTEN PERMISSION.		DRAWN: N. KOVALSKY	DATE: 07-30-08
	<h1>NorComp</h1>		CHECKED:	DATE:
SCALE:			SHEET 1 OF 2	REV 0
DWG NO.			056-FD8-121R012	

RECOMMENDED P.C.B. LAYOUT (COMPONENT SIDE)




DETAIL

DETAIL

DO NOT SCALE FROM DRAWING

RoHS COMPLIANT

	THESE DRAWINGS AND SPECIFICATIONS ARE THE PROPERTY OF NorComp AND SHALL NOT BE REPRODUCED, COPIED OR USED AS THE BASIS FOR THE MANUFACTURE OR SALE OF APPARATUS WITHOUT WRITTEN PERMISSION.		DRAWN: N. KOVALSKY	DATE: 07-30-08
	<h1>NorComp</h1>		CHECKED:	DATE:
SCALE: 3:1			SHEET 2	OF 2
		DWG NO. 056-FD8-121R012		