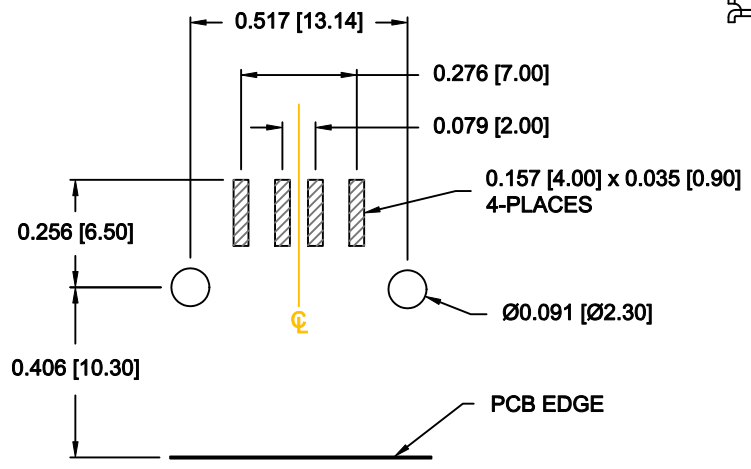
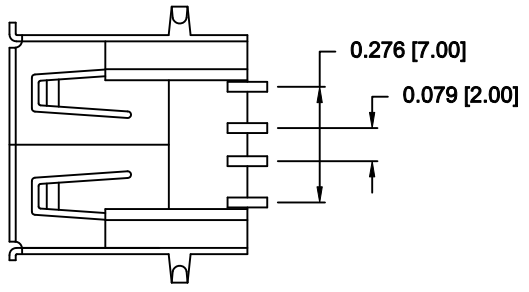
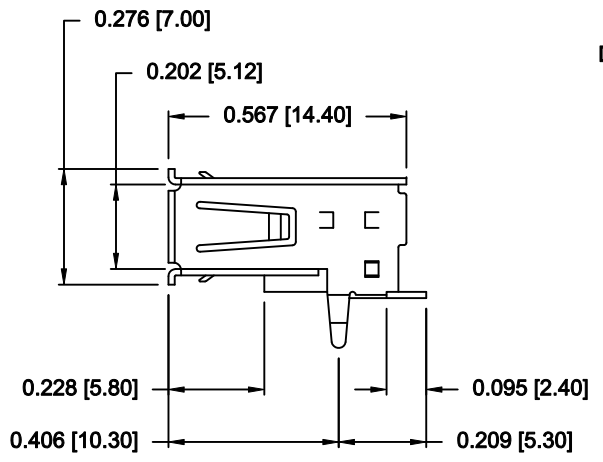
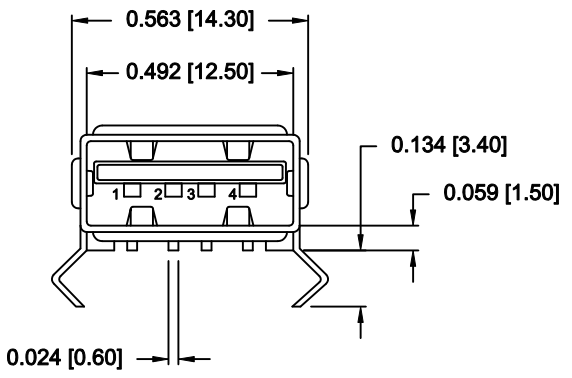


DESCRIPTION: USB TYPE "A" SURFACE MOUNT



RECOMMENDED PCB LAYOUT - SMT

RoHS COMPLIANT

ELECTRICAL:

- CONTACT CURRENT RATING: 1.5 AMPS
- DIELECTRIC WITHSTANDING VOLTAGE: 500VAC
- INSULATION RESISTANCE: 1,000 MegOhms Min.
- CONTACT RESISTANCE: 30 MilliOhms Max.
- OPERATING TEMPERATURE: -55°C TO +85°C

MECHANICAL:

- MATING FORCE: 3.5 Kg Max.
- UNMATING FORCE: 1.0 Kg Min.

MATERIALS:

- HOUSING: NYLON PA9T G.F., WHITE
- TERMINALS: PHOSPHOR BRONZE, GOLD PLATED
- SHELL: BRASS, NICKEL PLATED

PLATING:

- CONTACTS: 30u" GOLD (MATING AREA)
TIN (SOLDER TAILS)
LEAD FREE
- SHELL: NICKEL PLATED
- USB VERSION: 2.0

DO NOT SCALE FROM DRAWING

	THESE DRAWINGS AND SPECIFICATIONS ARE THE PROPERTY OF NorComp AND SHALL NOT BE REPRODUCED, COPIED OR USED AS THE BASIS FOR THE MANUFACTURE OF SALE OF APPARATUS WITHOUT WRITTEN PERMISSION.		DRAWN: C. SMITH	DATE: 09-19-08	
			CHECKED:	DATE:	
NorComp		SCALE: 2 : 1	SHEET 1	OF 1	REV 3
		DWG NO. 054-004-121R010			