

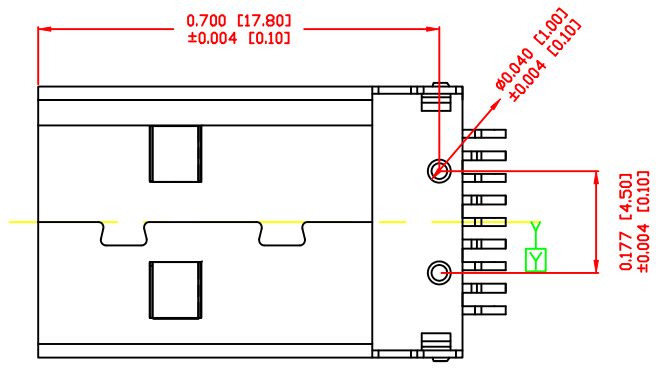
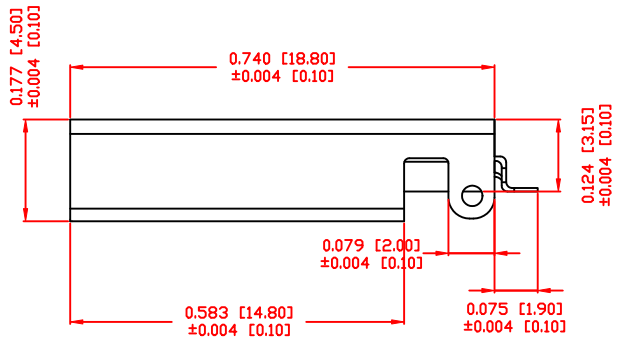
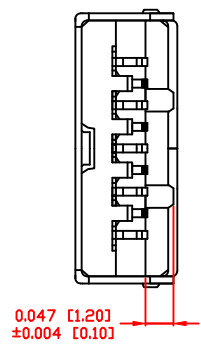
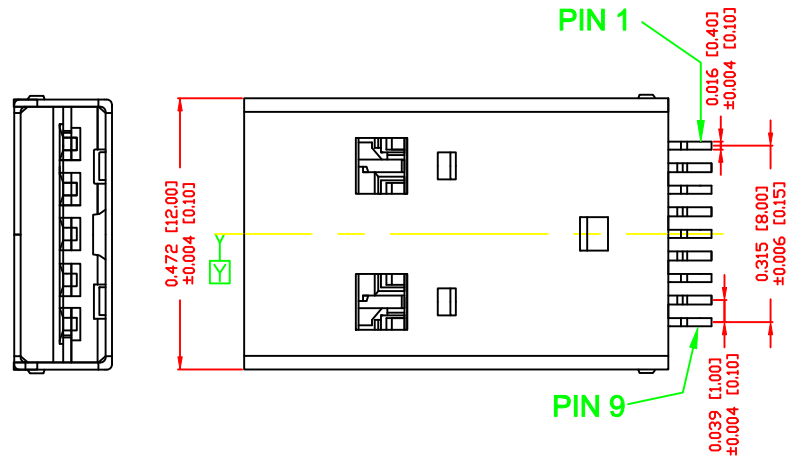
DESCRIPTION: USB TYPE A - MALE 3.0

MATERIALS:

SHELL: COPPER ALLOY (t= 0.012[0.30mm])
 INSULATOR: THERMOPLASTIC PBT (UL 94V-0)
 CONTACTS: COPPER ALLOY (t= 0.008[0.20mm])

FINISH:

CONTACT AREA: 30u" Au PLATING OVER NI
 SOLDER TAIL AREA: SHEENY TIN PLATING OVER NI
 SHELL: PLATING Ni OVER ALL

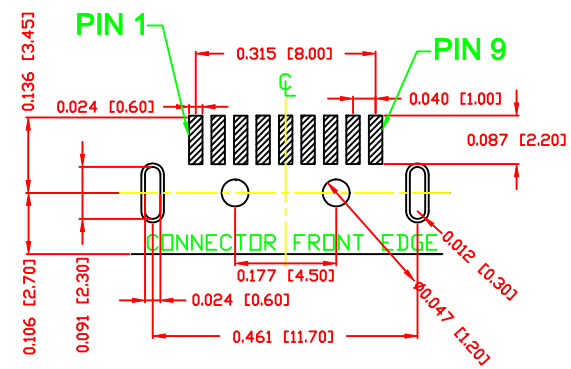


MECHANICAL CHARACTERISTICS:

CONTACT INSERTION FORCE: 3.57 kgf Max
 CONTACT SEPERATION FORCE: 1.02kgf Min

ENVIRONMENTAL:

OPERATING TEMPERATURE: -30°C to 85°C



**RECOMMENDED PCB LAYOUT
TOP VIEW (TOL. ± .002)**

052-309-161LYY0

SERIES _____
 TYPE _____
 RoHS COMPLIANT _____
 TY (TRAY) _____
 PLATING _____
 (30u" gold over nickel)

DO NOT SCALE FROM DRAWING



THESE DRAWINGS AND SPECIFICATIONS ARE THE PROPERTY OF NorComp AND SHALL NOT BE REPRODUCED, COPIED OR USED AS THE BASIS FOR THE MANUFACTURE OF SALE OF APPARATUS WITHOUT WRITTEN PERMISSION.

DRAWN: M. SIGMON		DATE: 11-4-10	
CHECKED:		DATE:	

NorComp

SCALE: 3: 1	SHEET 1	OF 1	REV 0
DWG NO. 052-309-161LYY0			

RoHS COMPLIANT