

**SPECIFICATIONS:**

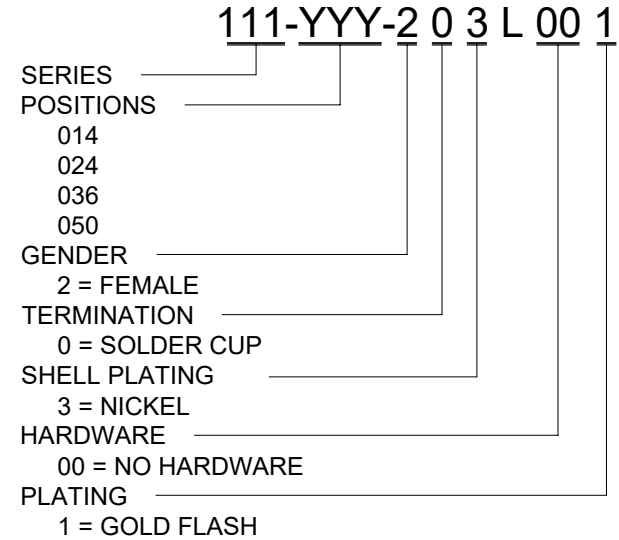
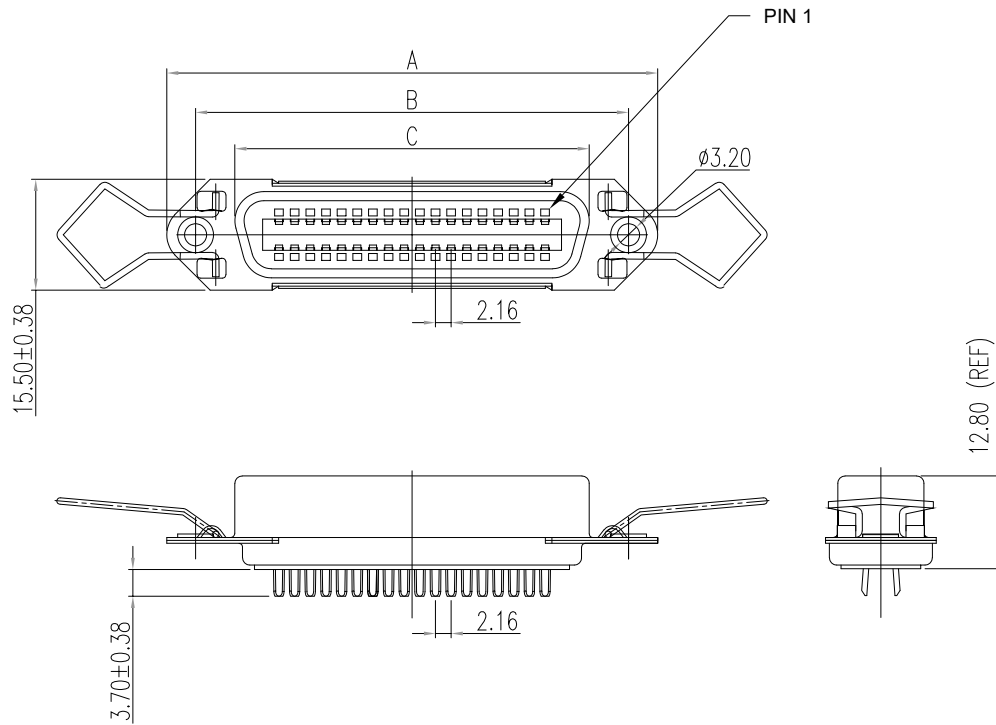
**ELECTRICAL:**

CURRENT RATING: 1 AMPS  
 INSULATION RESISTANCE: 1,000 MΩ MIN. @ 500 VDC  
 DIELECTRIC WITHSTANDING VOLTAGE: 1,000 VAC FOR 1 MINUTE  
 CONTACT RESISTANCE: 30 mΩ MAX.  
 OPERATING TEMPERATURE: -55°C TO +105°C

**MATERIALS:**

INSULATION: PBT, UL94 V-0 RATED  
 CONTACTS: PHOSPHOR BRONZE  
 CONTACT PLATING: GOLD FLASH IN MATING AREA  
 BRIGHT TIN IN SOLDER AREA  
 SHELL: STEEL, NICKEL PLATED

DIMENSIONS(mm)			
SIZE	A±0.38	B±0.25	C±0.25
14	44.00	36.00	25.20
24	54.90	46.70	35.90
36	67.70	59.70	48.70
50	82.70	74.70	64.20



**WILL ACCEPT 26-20 AWG WIRE**

**RoHS COMPLIANT**

UNITS = mm

**DO NOT SCALE FROM DRAWING**

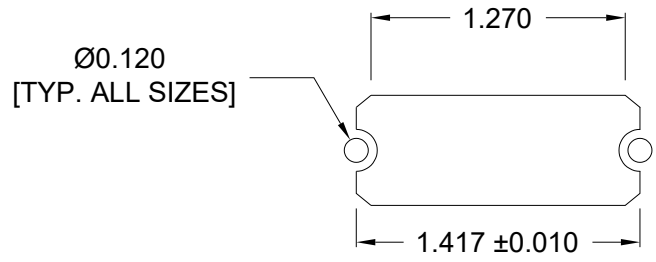


THESE DRAWINGS AND SPECIFICATIONS ARE THE PROPERTY OF NorComp AND SHALL NOT BE REPRODUCED, COPIED OR USED AS THE BASIS FOR THE MANUFACTURE OR SALE OF APPARATUS WITHOUT WRITTEN PERMISSION.

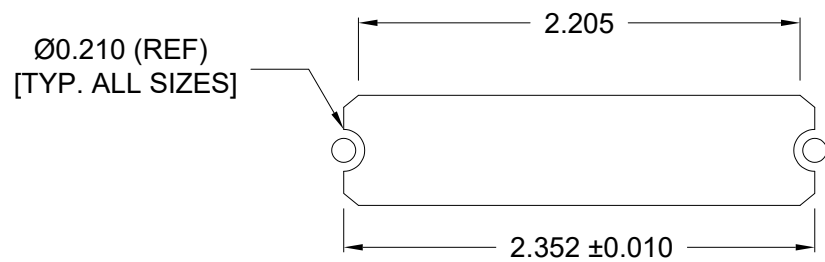
DRAWN: WAYNE ROBBINS  
 DATE: 09/15/2005

**NorComp**

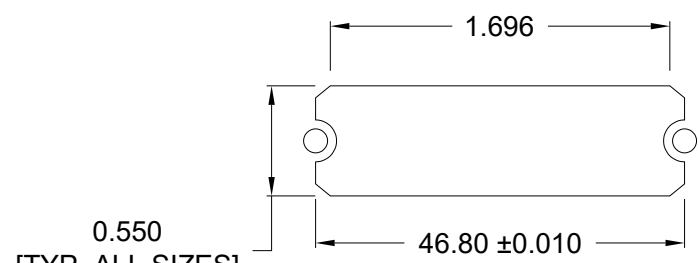
SCALE: NTS	SHEET 1 OF 2	REV 12
DWG NO. 111-YYY-203L001		



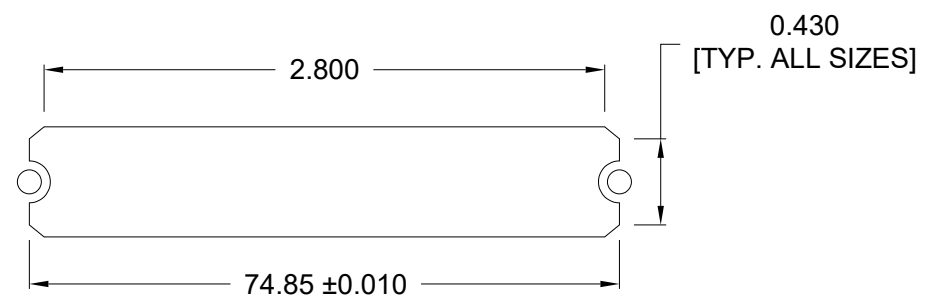
14 POSITION



36 POSITION



24 POSITION



50 POSITION

RoHS COMPLIANT

UNITS = inch

DO NOT SCALE FROM DRAWING



THESE DRAWINGS AND SPECIFICATIONS ARE THE PROPERTY OF NorComp AND SHALL NOT BE REPRODUCED, COPIED OR USED AS THE BASIS FOR THE MANUFACTURE OR SALE OF APPARATUS WITHOUT WRITTEN PERMISSION.

DRAWN:  
**WAYNE ROBBINS**  
DATE:  
09/15/2005

**NorComp**

SCALE: NTS	SHEET 2 OF 2	REV 12
DWG NO. 111-YYY-203L001		