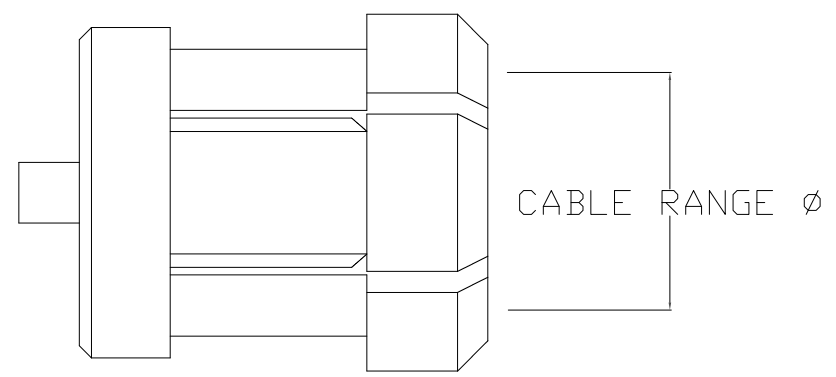
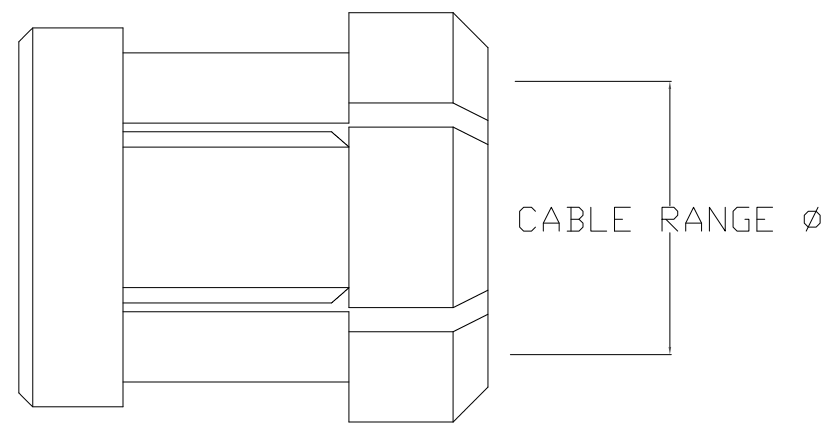


MATERIAL CHARACTERISTICS  
 COLLET MATERIAL: BRASS  
 COLLET PLATING: 196u" CHROME



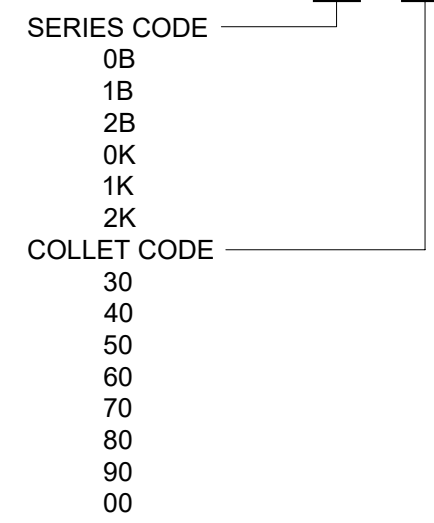
For 0B // 1B // 2B Series



For 0K // 1K // 2K Series

COLLET CODE		SERIES CODE (● = OPTION AVAILABLE)					
	COLLET Ø RANGE (mm)	0B	1B	2B	0K	1K	2K
30	2.5-3.2	●			●		
40	3.3-4.2	●	●		●	●	
50	4.3-5.2	●	●	●	●	●	●
60	5.3-6.2		●	●		●	●
70	6.3-7.2		●	●		●	●
80	7.3-8.2			●			●
90	8.3-9.2			●			●
00	9.3-10.2			●			●

### 82YY-YY-COLLET



RoHS COMPLIANT

UNITS = mm

DO NOT SCALE FROM DRAWING



THESE DRAWINGS AND SPECIFICATIONS ARE THE PROPERTY OF NorComp AND SHALL NOT BE REPRODUCED, COPIED OR USED AS THE BASIS FOR THE MANUFACTURE OR SALE OF APPARATUS WITHOUT WRITTEN PERMISSION.

DRAWN: J. KADEL  
 DATE: 11/15/2019

NorComp

SCALE: NTS SHEET 1 OF 1 REV 1  
 DWG NO. 82YY-YY-COLLET