

2

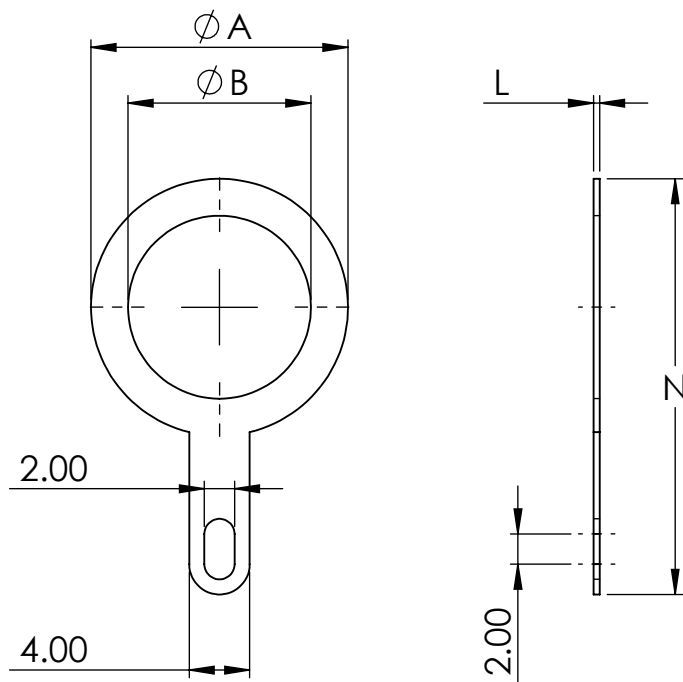
1

Description: Push Pull Panel Mount Earthing Washer

DIMENSIONS (mm)				
SIZE	A	B	L	N
0	13	9.1	0.5	22
1	17	12.1	0.5	27.5
2	20	15.1	0.5	32
3	23	18.1	0.5	39

B

B



82YB-EW

SIZE ———
 0 = 820B SERIES
 1 = 821B SERIES
 2 = 822B SERIES
 3 = 823B SERIES

A

A

NorComp

The information contained in this drawing is the sole property of NorComp. Any reproduction in part or as a whole without the written permission of NorComp is prohibited.

UNLESS OTHERWISE SPECIFIED:

DIMENSIONS ARE IN mm

DWG. No. 82YB-EW

Drawn By: J. KADEL

Date: 03/30/2021

SCALE: NTS

SHEET 1 OF 1

REV: 0

2

1