

SEE SHEET 2
FOR CONTACT & BRACKET DIMENSION DETAILS

ELECTRICAL:
INSULATOR RESISTANCE: 5 GΩ MIN.
WORKING VOLTAGE: 250V
OPERATING TEMPERATURE: -55°C TO +125°C
POWER CONTACT RESISTANCE: 2.0 mΩ MAX.
SIGNAL CONTACT RESISTANCE: 10 mΩ MAX.
POWER CONTACT AMPERAGE: 40 AMPS
SIGNAL CONTACT RESISTANCE: 5 AMPS

MECHANICAL:
CONTACT INSERTION FORCE: 4.5 Kg MAX.
CONTACT SEPARATION FORCE: 0.3 Kg MIN.

MATERIALS:
CONTACTS: COPPER ALLOY, GOLD FLASH
INSULATOR: PBT UL94V-0 RATED
230°C PROCESS TEMP.
SHELL: NICKEL PLATED STEEL
BRACKET: NICKEL PLATED STEEL
BOARD LOCK: NICKEL PLATED BRASS
SEAL: F08 FLEXIBLE ADHESIVE

MEETS IP67 STANDARDS

(SEE PAGE 3 FOR SEALING DETAILS)

684S17W2103LYYY

00 = 40 AMP POWER // NO BRACKET // STANDARD PCB TAILS
46 = 40 AMP POWER // #4-40 BRACKET // STANDARD PCB TAILS
62 = 40 AMP POWER // #4-40 BRACKET // 2.22mm PCB TAILS

1 = GOLD FLASH

RoHS COMPLIANT

UNITS = inches [mm]

DO NOT SCALE FROM DRAWING



THESE DRAWINGS AND SPECIFICATIONS ARE THE PROPERTY OF NorComp AND SHALL NOT BE REPRODUCED, COPIED OR USED AS THE BASIS FOR THE MANUFACTURE OR SALE OF APPARATUS WITHOUT WRITTEN PERMISSION.

DRAWN:
M. SIGMON

DATE:
05/22/2012

NorComp

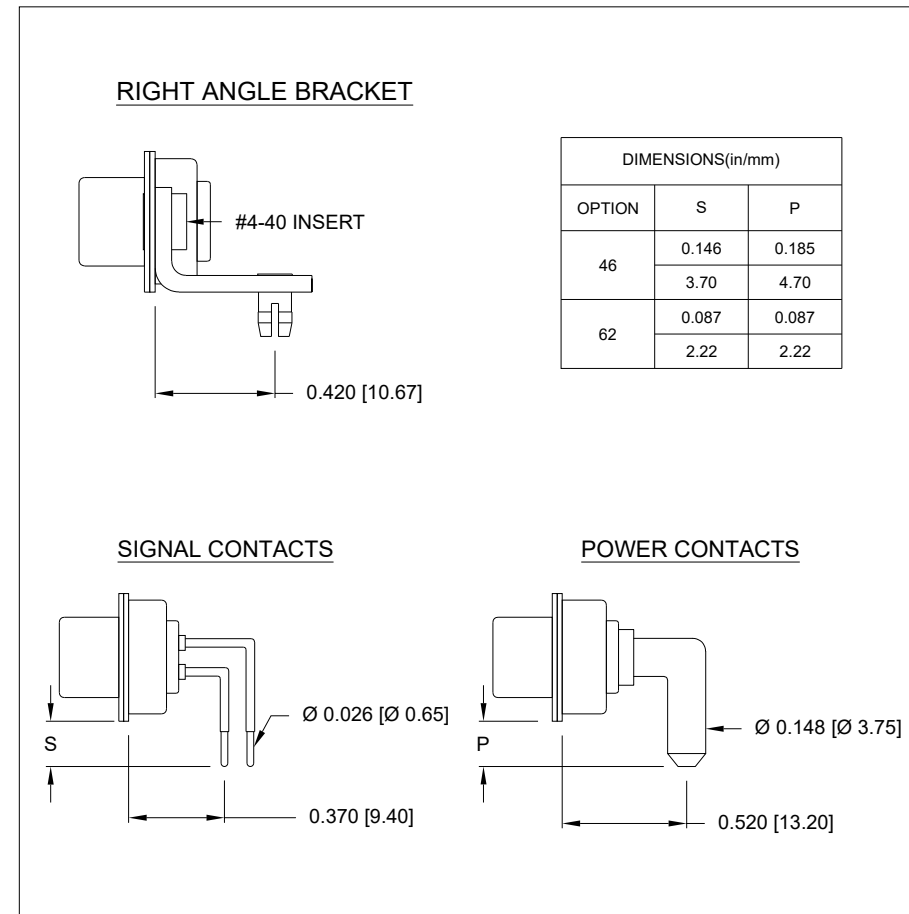
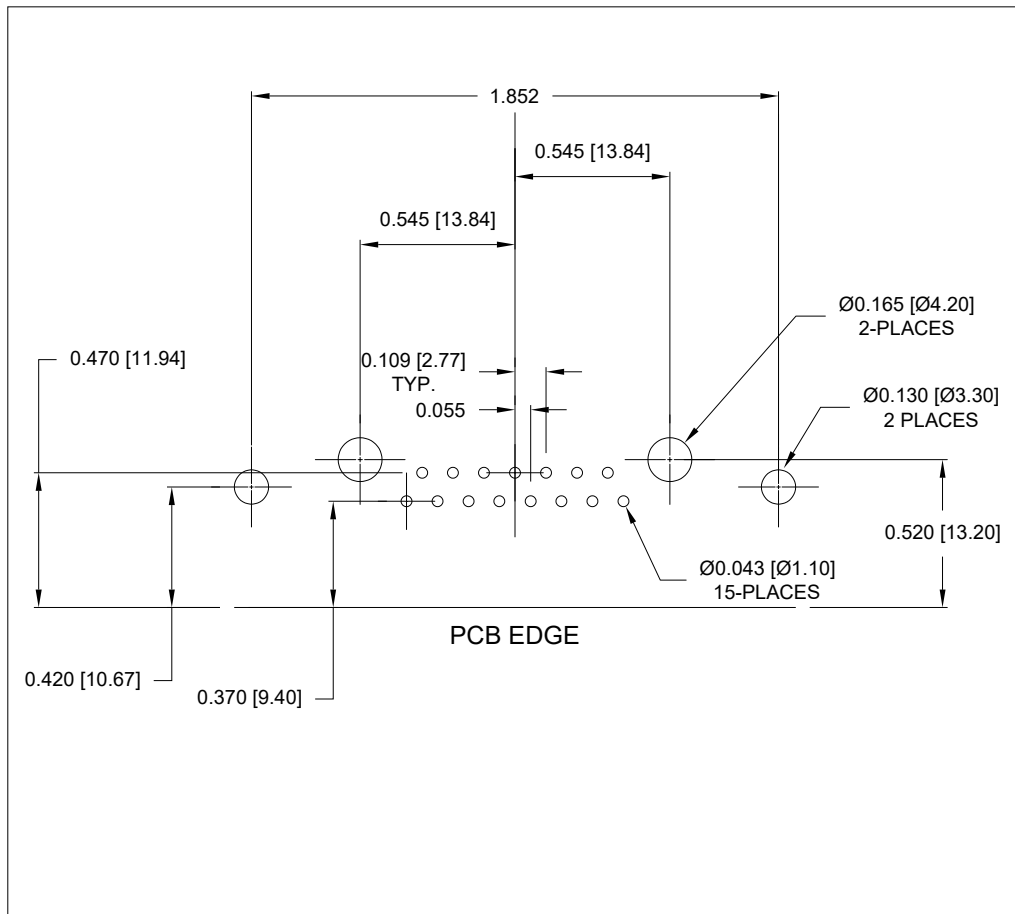
SCALE:
NTS

SHEET OF
1 3

REV
5

DWG NO.

684S17W2103L461



RoHS COMPLIANT



THESE DRAWINGS AND SPECIFICATIONS ARE THE PROPERTY OF NorComp AND SHALL NOT BE REPRODUCED, COPIED OR USED AS THE BASIS FOR THE MANUFACTURE OR SALE OF APPARATUS WITHOUT WRITTEN PERMISSION.

DRAWN:
M. SIGMON

DATE:
05/22/2012

UNITS = inches [mm]

DO NOT SCALE FROM DRAWING

NorComp

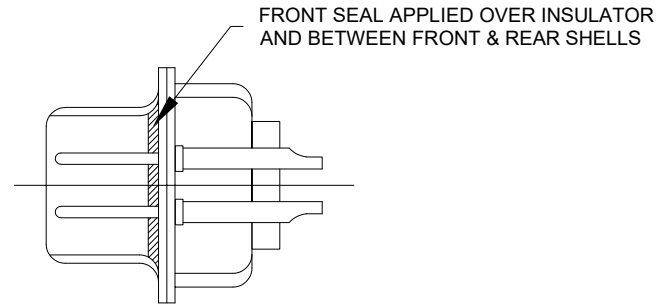
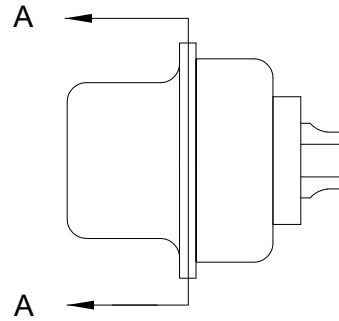
SCALE:
NTS

SHEET 2 OF 3

REV 5

DWG NO.

684S17W2103L461



DETAIL A-A
SHOWN FOR REFERENCE ONLY

RoHS COMPLIANT

UNITS = inches [mm] DO NOT SCALE FROM DRAWING



THESE DRAWINGS AND SPECIFICATIONS ARE THE PROPERTY OF NorComp AND SHALL NOT BE REPRODUCED, COPIED OR USED AS THE BASIS FOR THE MANUFACTURE OR SALE OF APPARATUS WITHOUT WRITTEN PERMISSION.

DRAWN:
M. SIGMON

DATE:
05/22/2012

NorComp

SCALE:
NTS

SHEET 3 OF 3

REV 5

DWG NO.

684S17W2103L461