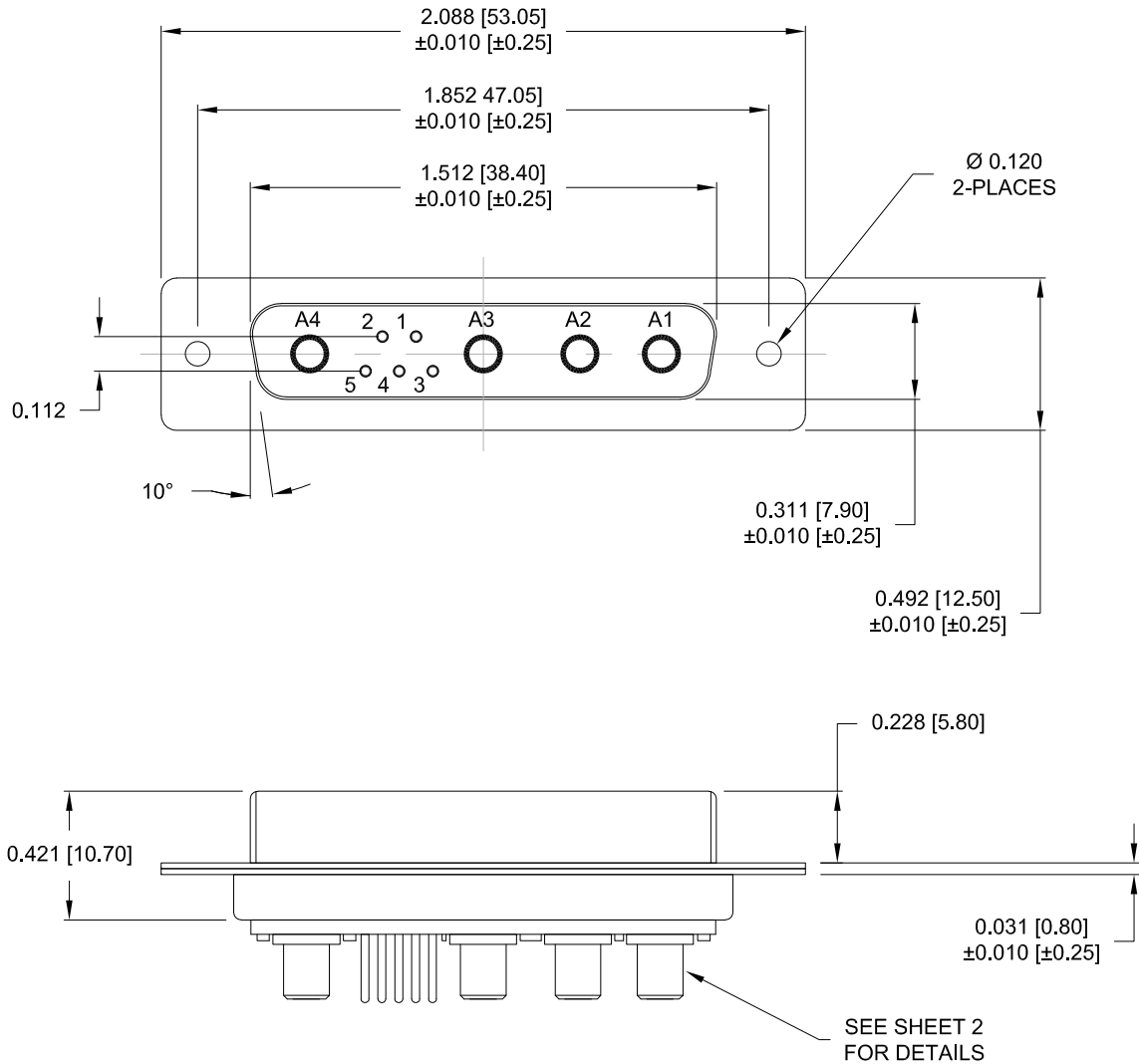


DESCRIPTION: POWER / SIGNAL - VERTICAL BOARD - FEMALE - IP67



SPECIFICATIONS:

ELECTRICAL:

INSULATOR RESISTANCE: 5 G OHMS Min.
 DIELECTRIC WITHSTANDING: 1,000VAC r.m.s.
 OPERATING TEMPERATURE: -55° C ~ +125° C
 POWER CONTACT RESISTANCE: 1.0 mOHMS Max.
 SIGNAL CONTACT RESISTANCE: 10 mOHMS Max.
 POWER PINS: 40 AMPS
 SIGNAL PINS: 5 AMPS

MECHANICAL:

CONTACT INSERTION FORCE: 4.5 Kg Max.
 CONTACT SEPARATOR FORCE: 0.3Kg Min.

MATERIALS:

CONTACTS: COPPER ALLOY
 INSULATOR: PBT UL94V-0 RATED, BLK
 230°C PROCESS TEMP.
 SHELL: STEEL
 SEAL: F04 FLEXIBLE ADHESIVE

FINISH:

SHELL: NICKEL
 CONTACTS: FULL GOLD FLASH

681S9W4203LYYY

0 = 40 AMP
 0 = NO HARDWARE
 4 = 0.237" BOARDLOCK PCB SIDE
 1 = GOLD FLASH

MEETS IP67 STANDARDS

(SEE PAGE 2 FOR SEALING DETAILS)

RoHS COMPLIANT

UNITS = INCHES [MM] DO NOT SCALE FROM DRAWING



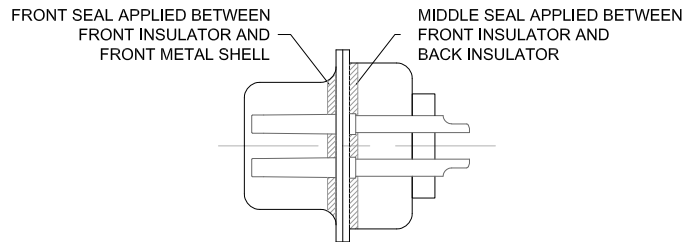
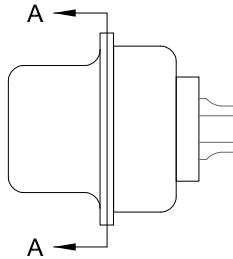
THESE DRAWINGS AND SPECIFICATIONS ARE THE PROPERTY OF NorComp AND SHALL NOT BE REPRODUCED, COPIED OR USED AS THE BASIS FOR THE MANUFACTURE OR SALE OF APPARATUS WITHOUT WRITTEN PERMISSION.

DRAWN: M. SIGMON
 DATE: 06/11/2013

NorComp

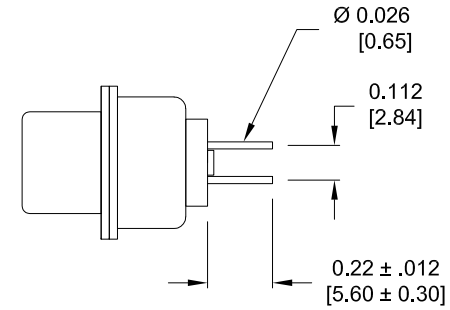
SCALE: NTS	SHEET 1	OF 4	REV 1
681S9W4203LYYY			

DESCRIPTION: 681 SERIES CONTACTS

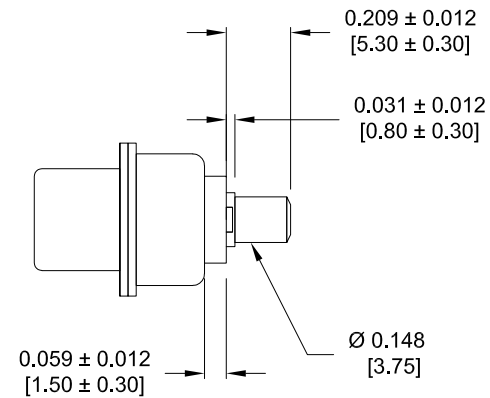


DETAIL A-A
SHOWN FOR REFERENCE ONLY

NOTE:
SIGNAL AND POWER CONTACTS
COME PRE-LOADED INTO INSULATORS



SIGNAL CONTACTS



POWER CONTACTS

RoHS COMPLIANT



THESE DRAWINGS AND SPECIFICATIONS ARE THE PROPERTY OF NorComp AND SHALL NOT BE REPRODUCED, COPIED OR USED AS THE BASIS FOR THE MANUFACTURE OR SALE OF APPARATUS WITHOUT WRITTEN PERMISSION.

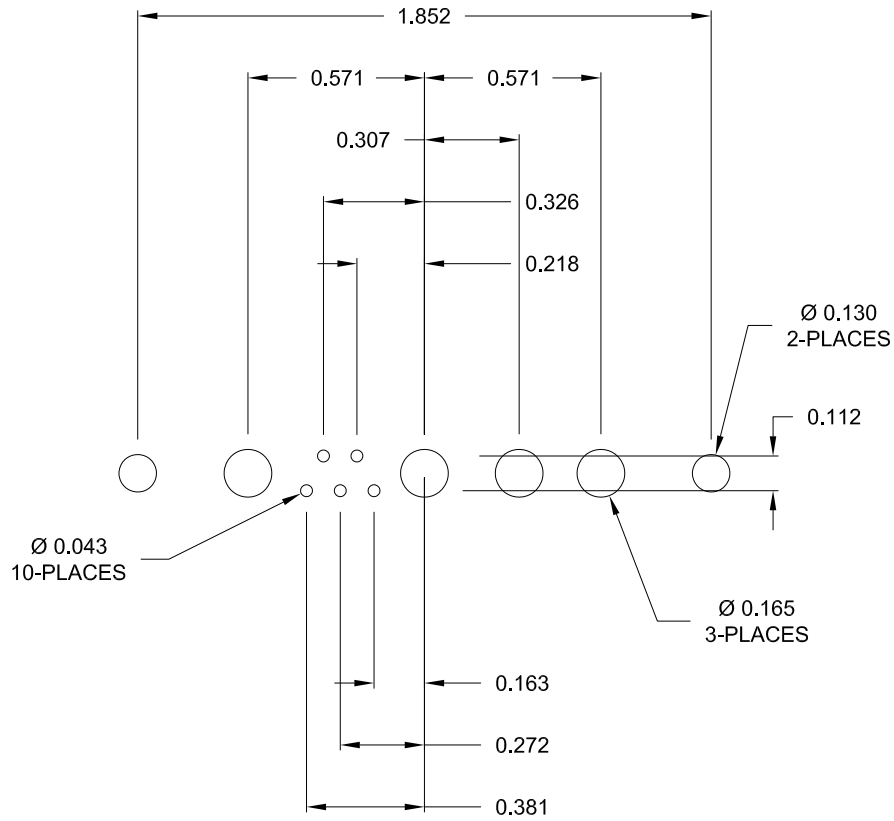
DRAWN:
M. SIGMON
DATE:
06/11/2013

UNITS = INCHES [MM] DO NOT SCALE FROM DRAWING

NorComp

SCALE: NTS	SHEET 2	OF 4	REV 1
681S9W4203LYYY			

DESCRIPTION: PCB LAYOUT



RECOMMENDED PCB LAYOUT

RoHS COMPLIANT

UNITS = INCHES [MM] DO NOT SCALE FROM DRAWING



THESE DRAWINGS AND SPECIFICATIONS ARE THE PROPERTY OF NorComp AND SHALL NOT BE REPRODUCED, COPIED OR USED AS THE BASIS FOR THE MANUFACTURE OR SALE OF APPARATUS WITHOUT WRITTEN PERMISSION.

DRAWN:
M. SIGMON

DATE:
06/11/2013

NorComp

SCALE:
NTS

SHEET OF
3 4

REV
1

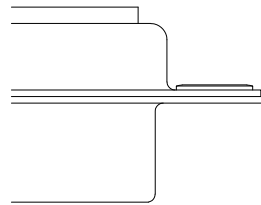
681S9W4203LYYY

DESCRIPTION: CLINCH NUT HARDWARE

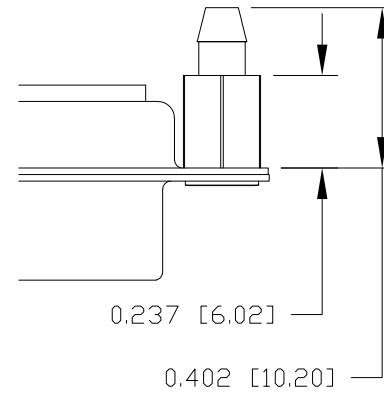
ALL CLINCH-NUTS ARE 4-40 INTERNAL THREADS

TOLERANCE:
ALL DIMENSIONS ARE ± 0.010

0 NO HARDWARE



4 0.237" PCB SIDE



RoHS COMPLIANT

UNITS = INCHES [MM] DO NOT SCALE FROM DRAWING



THESE DRAWINGS AND SPECIFICATIONS ARE THE PROPERTY OF NorComp AND SHALL NOT BE REPRODUCED, COPIED OR USED AS THE BASIS FOR THE MANUFACTURE OR SALE OF APPARATUS WITHOUT WRITTEN PERMISSION.

DRAWN:
M. SIGMON

DATE:
06/11/2013

NorComp

SCALE:
NTS

SHEET OF
4 4

REV
1

681S9W4203LYYY