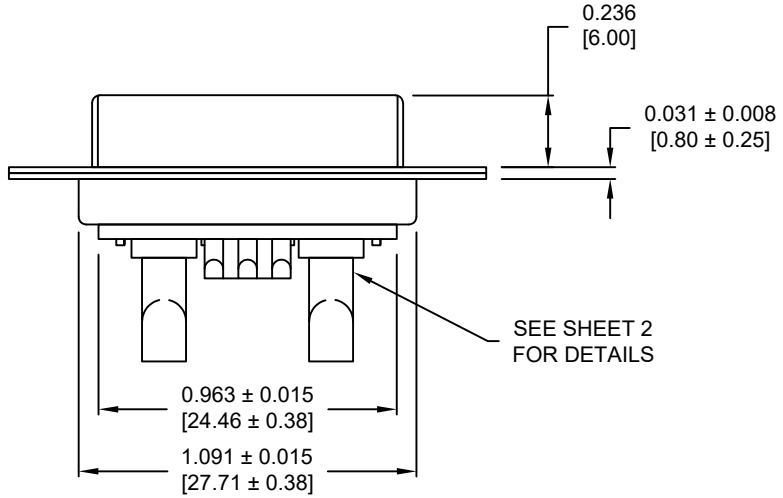
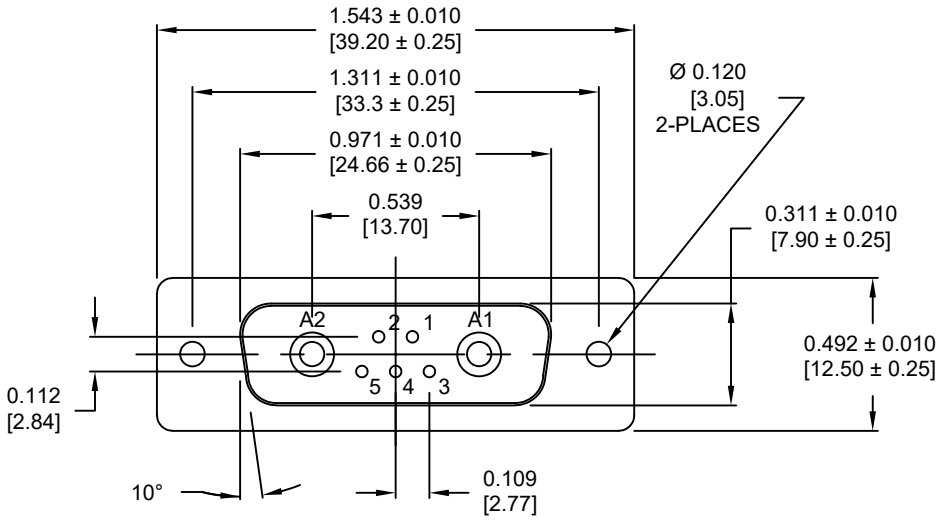


SPECIFICATIONS:

<b>ELECTRICAL:</b>	
INSULATOR RESISTANCE:	5 GOhms MIN.
DIELECTRIC WITHSTANDING:	1000 VAC FOR 1 MIN
OPERATING TEMPERATURE:	-55°C TO +125°C
POWER CONTACT RESISTANCE:	2.0 mOhms MAX.
SIGNAL CONTACT RESISTANCE:	10 mOhms MAX.
POWER CONTACT AMPERAGE:	SEE P/N KEY
SIGNAL CONTACT AMPERAGE:	5 AMPS
<b>MECHANICAL:</b>	
CONTACT INSERTION FORCE:	4.5 Kg MAX.
CONTACT SEPARATION FORCE:	0.3 Kg MIN.
<b>MATERIALS:</b>	
CONTACTS:	COPPER ALLOY, GOLD FLASH
INSULATOR:	PBT UL94V-0 RATED 230°C PROCESS TEMP.
SHELL:	NICKEL PLATED STEEL
SEAL:	F04 FLEXIBLE ADHESIVE



680S7W2203LYY1

- 2 = 20 AMP
  - 4 = 40 AMP
  - 0 = NO HARDWARE
  - 1 = GOLD FLASH
- \*CONTACT NORCOMP FOR MORE OPTIONS

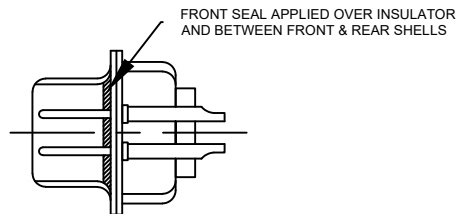
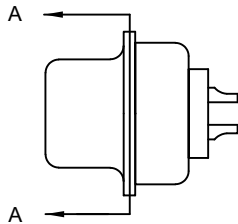
MEETS IP67 STANDARDS  
(SEE PAGE 2 FOR SEALING DETAILS)

RoHS COMPLIANT

UNITS = inch [mm] DO NOT SCALE FROM DRAWING

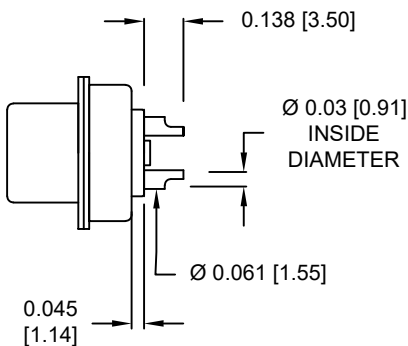
	THESE DRAWINGS AND SPECIFICATIONS ARE THE PROPERTY OF NorComp AND SHALL NOT BE REPRODUCED, COPIED OR USED AS THE BASIS FOR THE MANUFACTURE OR SALE OF APPARATUS WITHOUT WRITTEN PERMISSION.	DRAWN: <b>P. JENKINS</b>
		DATE: <b>09/13/2011</b>

	SCALE: NTS	SHEET 1 OF 2	REV 2
	DWG NO. <b>680S7W2203LYY1</b>		

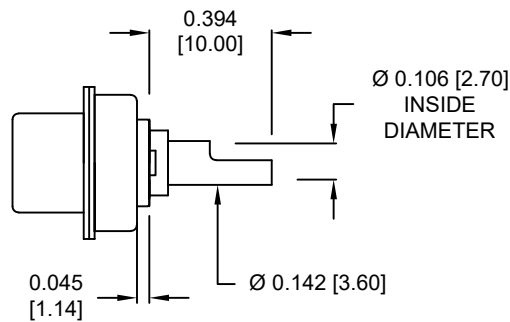


DETAIL A-A  
SHOWN FOR REFERENCE ONLY

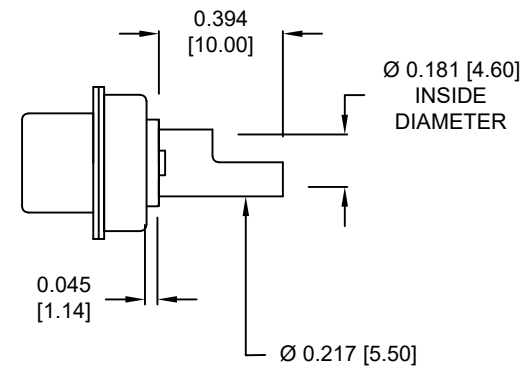
**NOTE:  
SIGNAL AND POWER CONTACTS  
COME PRE-LOADED INTO INSULATORS**



**SIGNAL CONTACTS  
ACCEPTS UP TO 20 AWG WIRE**



**20 AMP POWER CONTACTS  
ACCEPTS UP TO 12 AWG WIRE**



**40 AMP POWER CONTACTS  
ACCEPTS UP TO 8 AWG WIRE**

**RoHS COMPLIANT**

UNITS = inch [mm]

**DO NOT SCALE FROM DRAWING**



THESE DRAWINGS AND SPECIFICATIONS ARE THE PROPERTY OF NorComp AND SHALL NOT BE REPRODUCED, COPIED OR USED AS THE BASIS FOR THE MANUFACTURE OR SALE OF APPARATUS WITHOUT WRITTEN PERMISSION.

DRAWN:  
**P. JENKINS**

DATE:  
**09/13/2011**

**NorComp**

SCALE:  
NTS

SHEET OF  
2 2

REV  
2

DWG NO.

**680S7W2203LYY1**