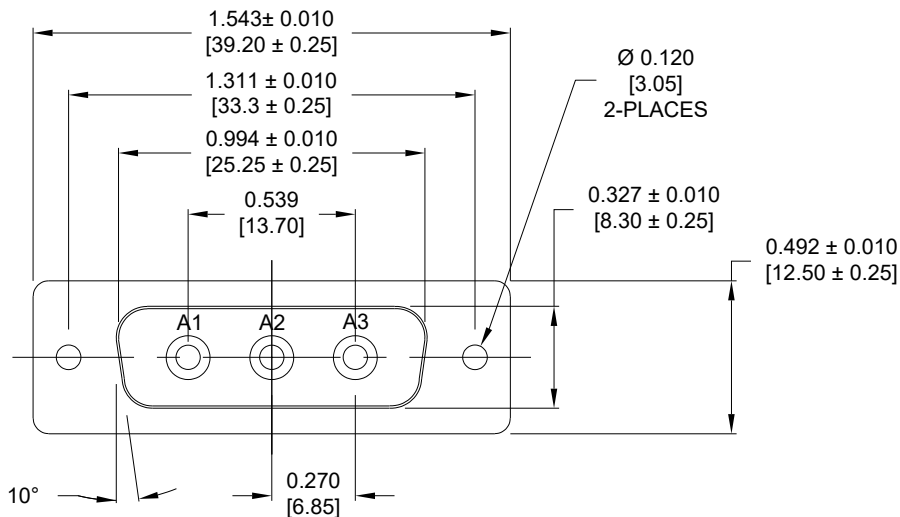
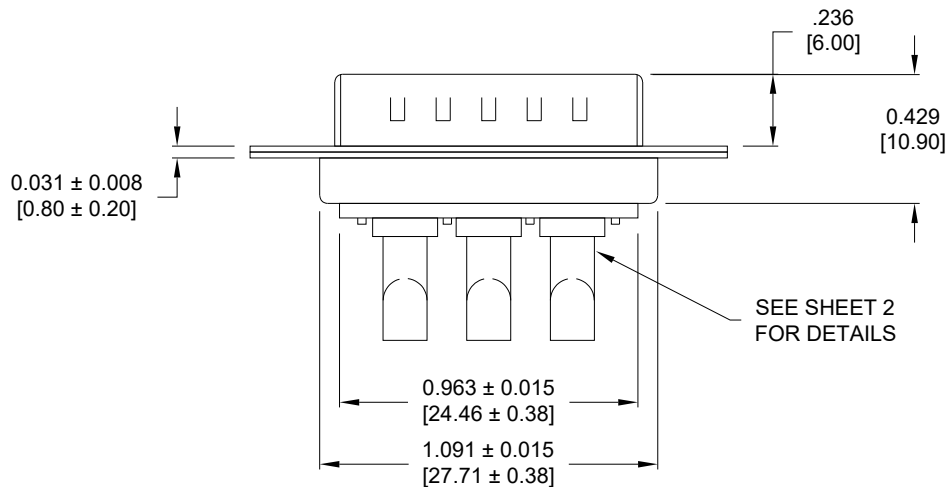


SPECIFICATIONS:



- ELECTRICAL:
 INSULATOR RESISTANCE: 5 GOhms MIN.
 DIELECTRIC WITHSTANDING: 1000 VAC FOR 1 MIN
 OPERATING TEMPERATURE: -55°C TO +125°C
 POWER CONTACT RESISTANCE: 2.0 mOhms MAX.
 POWER CONTACT AMPERAGE: SEE P/N KEY
- MECHANICAL:
 CONTACT INSERTION FORCE: 4.5 Kg MAX.
 CONTACT SEPARATION FORCE: 0.3 Kg MIN.
- MATERIALS:
 CONTACTS: COPPER ALLOY, GOLD FLASH
 INSULATOR: PBT UL94V-0 RATED
 230°C PROCESS TEMP.
 SHELL: NICKEL PLATED STEEL
 SEAL: F08 FLEXIBLE ADHESIVE



680S3W3103LYY1

- 2 = 20 AMP
 - 4 = 40 AMP
 - 0 = NO HARDWARE
 - 1 = 0.098" CN TERMINATION SIDE
 - 1 = GOLD FLASH
- *CONTACT NORCOMP FOR MORE OPTIONS

MEETS IP67 STANDARDS
 (SEE PAGE 2 FOR SEALING DETAILS)

RoHS COMPLIANT

UNITS = inch [mm] DO NOT SCALE FROM DRAWING

	THESE DRAWINGS AND SPECIFICATIONS ARE THE PROPERTY OF NorComp AND SHALL NOT BE REPRODUCED, COPIED OR USED AS THE BASIS FOR THE MANUFACTURE OR SALE OF APPARATUS WITHOUT WRITTEN PERMISSION.	DRAWN: P. JENKINS
		DATE: 09/13/2011

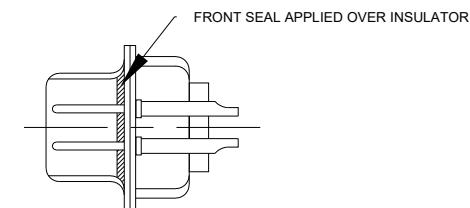
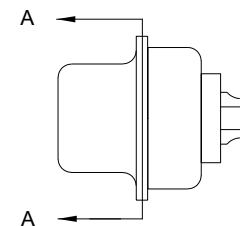
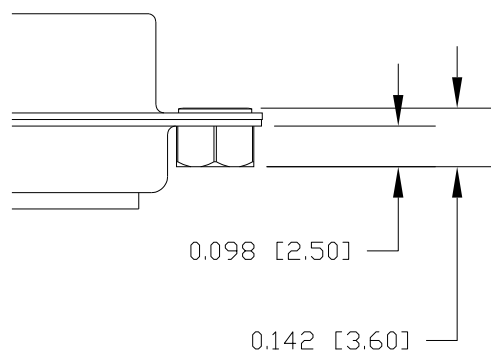
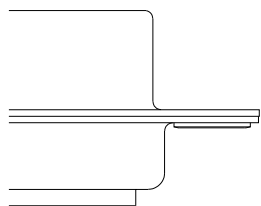
	SCALE: NTS	SHEET 1 OF 2	REV 3
	DWG NO. 680S3W3103LYY1		

HARDWARE OPTIONS

CLINCH NUTS HAVE #4-40 INTERNAL THREADS THRU

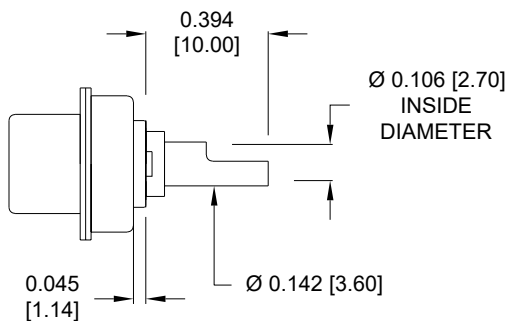
0 NO HARDWARE

1 0.098" TERMINATION SIDE

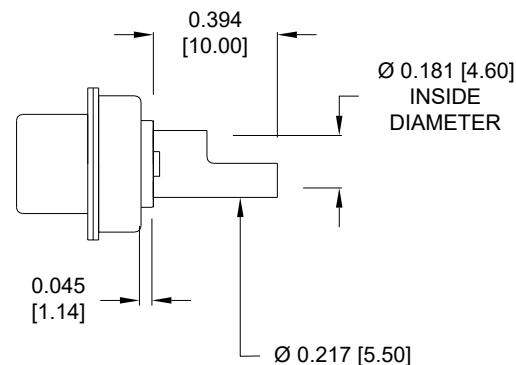


DETAIL A-A
SHOWN FOR REFERENCE ONLY

**NOTE:
POWER CONTACTS
COME PRE-LOADED INTO INSULATORS**



20 AMP POWER CONTACTS
ACCEPTS UP TO 12 AWG WIRE



40 AMP POWER CONTACTS
ACCEPTS UP TO 8 AWG WIRE

RoHS COMPLIANT

UNITS = inch [mm]

DO NOT SCALE FROM DRAWING



THESE DRAWINGS AND SPECIFICATIONS ARE THE PROPERTY OF NorComp AND SHALL NOT BE REPRODUCED, COPIED OR USED AS THE BASIS FOR THE MANUFACTURE OR SALE OF APPARATUS WITHOUT WRITTEN PERMISSION.

DRAWN:
P. JENKINS

DATE:
09/13/2011

NorComp

SCALE:
NTS

SHEET 2 OF 2

REV 3

DWG NO.

680S3W3103LYY1