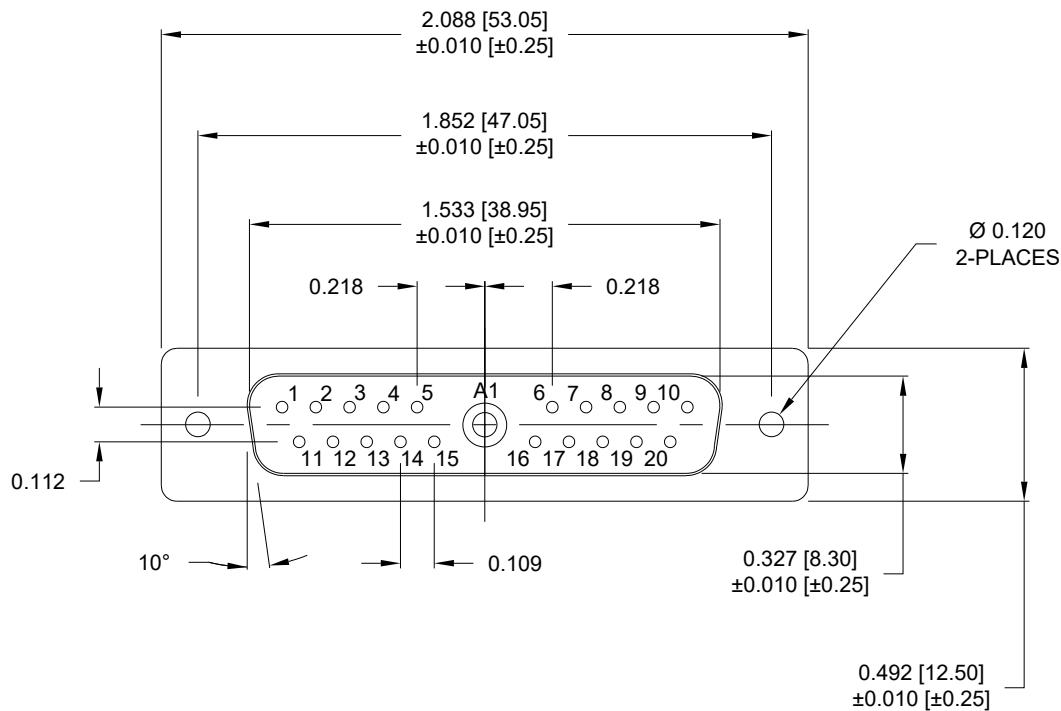
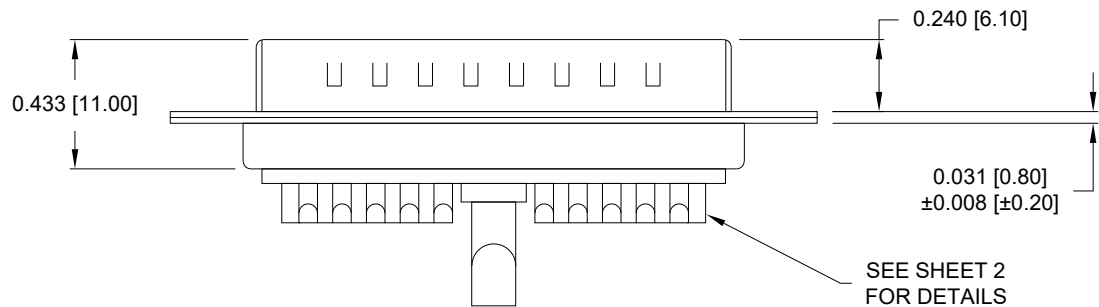


SPECIFICATIONS:



- ELECTRICAL:
- INSULATOR RESISTANCE: 5 GOhms MIN.
 - DIELECTRIC WITHSTANDING: 1000 VAC FOR 1 MIN
 - OPERATING TEMPERATURE: -55°C TO +125°C
 - POWER CONTACT RESISTANCE: 2.0 mOhms MAX.
 - SIGNAL CONTACT RESISTANCE: 10 mOhms MAX.
 - POWER CONTACT AMPERAGE: SEE P/N KEY
 - SIGNAL CONTACT AMPERAGE: 5 AMPS
- MECHANICAL:
- CONTACT INSERTION FORCE: 4.5 Kg MAX.
 - CONTACT SEPARATION FORCE: 0.3 Kg MIN.
- MATERIALS:
- CONTACTS: COPPER ALLOY, GOLD FLASH
 - INSULATOR: PBT UL94V-0 RATED 230°C PROCESS TEMP.
 - SHELL: NICKEL PLATED STEEL
 - SEAL: F08 FLEXIBLE ADHESIVE



680S21W1103LYY1

- 2 = 20 AMP
- 4 = 40 AMP
- 0 = NO HARDWARE
- 1 = 0.098" CN TERMINATION SIDE
- 1 = GOLD FLASH
- *CONTACT NORCOMP FOR MORE OPTIONS

MEETS IP67 STANDARDS
(SEE PAGE 2 FOR SEALING DETAILS)

RoHS COMPLIANT

UNITS = inch [mm] DO NOT SCALE FROM DRAWING

NC

THESE DRAWINGS AND SPECIFICATIONS ARE THE PROPERTY OF NorComp AND SHALL NOT BE REPRODUCED, COPIED OR USED AS THE BASIS FOR THE MANUFACTURE OR SALE OF APPARATUS WITHOUT WRITTEN PERMISSION.

DRAWN: M. SIGMON
DATE: 06/11/2013

NorComp

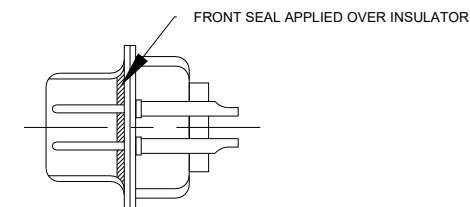
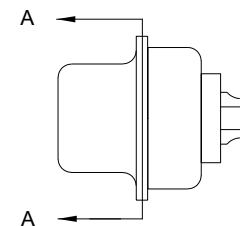
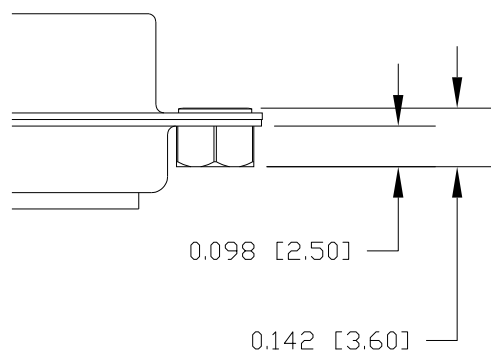
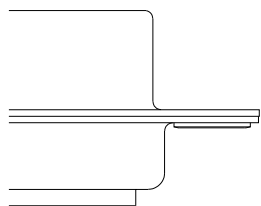
SCALE: NTS SHEET 1 OF 2 REV 3
DWG NO. 680S21W1103LYY1

HARDWARE OPTIONS

CLINCH NUTS HAVE #4-40 INTERNAL THREADS THRU

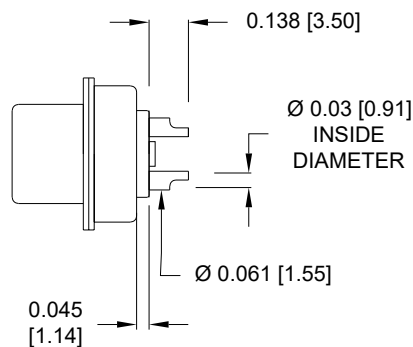
0 NO HARDWARE

1 0.098" TERMINATION SIDE

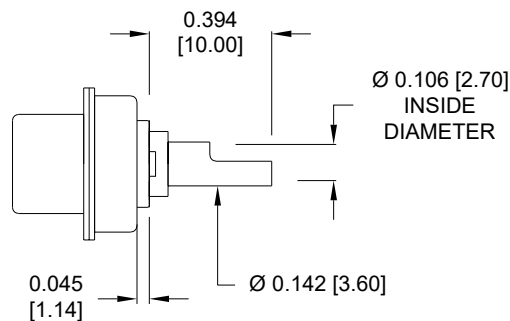


DETAIL A-A
SHOWN FOR REFERENCE ONLY

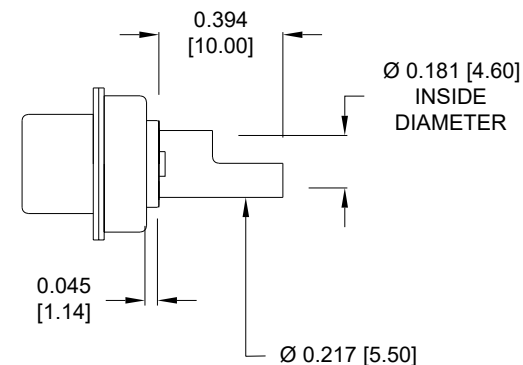
NOTE:
SIGNAL AND POWER CONTACTS
COME PRE-LOADED INTO INSULATORS



SIGNAL CONTACTS
ACCEPTS UP TO 20 AWG WIRE



20 AMP POWER CONTACTS
ACCEPTS UP TO 12 AWG WIRE



40 AMP POWER CONTACTS
ACCEPTS UP TO 8 AWG WIRE

RoHS COMPLIANT

UNITS = inch [mm]

DO NOT SCALE FROM DRAWING



THESE DRAWINGS AND SPECIFICATIONS ARE THE PROPERTY OF NorComp AND SHALL NOT BE REPRODUCED, COPIED OR USED AS THE BASIS FOR THE MANUFACTURE OR SALE OF APPARATUS WITHOUT WRITTEN PERMISSION.

DRAWN:
M. SIGMON

DATE:
06/11/2013

NorComp

SCALE:
NTS

SHEET 2 OF 2

REV 3

DWG NO.

680S21W1103LYY1