

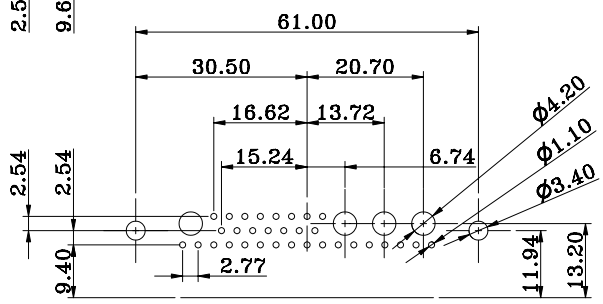
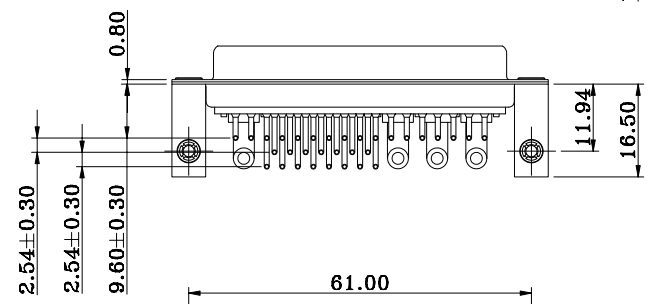
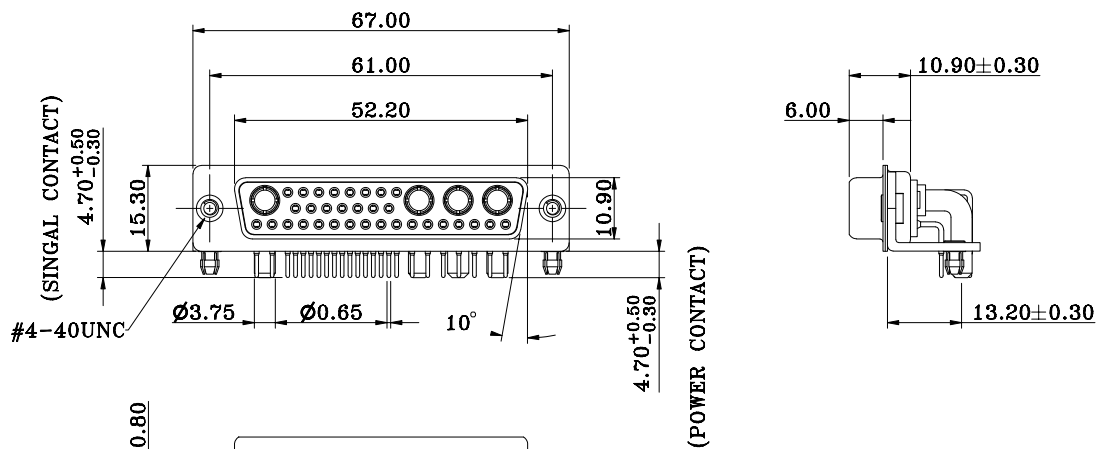
DESCRIPTION: POWER / SIGNAL - RIGHT ANGLE BRACKETS - FEMALE - MACHINED

**SPECIFICATIONS:**

**MATERIALS:**  
 HOUSING: PBT, UL94 V-0, BLACK  
 230°C PROCESS TEMP  
 CONTACTS: GOLD FLASH PLATED COPPER ALLOY  
 (SEE P/N KEY BELOW)  
 NUT: NICKEL PLATED STEEL  
 SHELL: NICKEL PLATED STEEL  
 BRACKET: NICKEL PLATED STEEL  
 BOARD LOCK: NICKEL PLATED BRASS

**ELECTRICAL:**  
 POWER CONTACT CURRENT RATING: 40A  
 SINGLE CONTACT CURRENT RATING: 5A  
 RATED WORKING VOLTAGE: 250V  
 DIELECTRIC WITHSTANDING VOLTAGE: 1000 V AC FOR 1 MIN.  
 INSULATION RESISTANCE: 5 GOhms MIN.  
 POWER CONTACT RESISTANCE: 1 mOhms MAX.  
 SIGNAL CONTACT RESISTANCE: 10 mOhms MAX.

**ENVIRONMENT:**  
 OPERATING TEMPERATURE: -55°C TO +125°C



P.C.B. LAYOUT

# 684M36W4203L461

4 = 40 AMP  
 6 = #4-40 BRACKET  
 1 = GOLD FLASH  
 \*CONTACT NORCOMP FOR MORE OPTIONS

RoHS COMPLIANT

UNITS = mm

DO NOT SCALE FROM DRAWING



THESE DRAWINGS AND SPECIFICATIONS ARE THE PROPERTY OF NorComp AND SHALL NOT BE REPRODUCED, COPIED OR USED AS THE BASIS FOR THE MANUFACTURE OR SALE OF APPARATUS WITHOUT WRITTEN PERMISSION.

DRAWN: J. F. KADEL  
 DATE: 07/8/2024



SCALE: NTS	SHEET 1 OF 1	REV 0
DWG NO. 684M36W4203L461		