

DESCRIPTION: POWER - VERTICAL - MALE - MACHINED

SPECIFICATIONS:

ELECTRICAL:

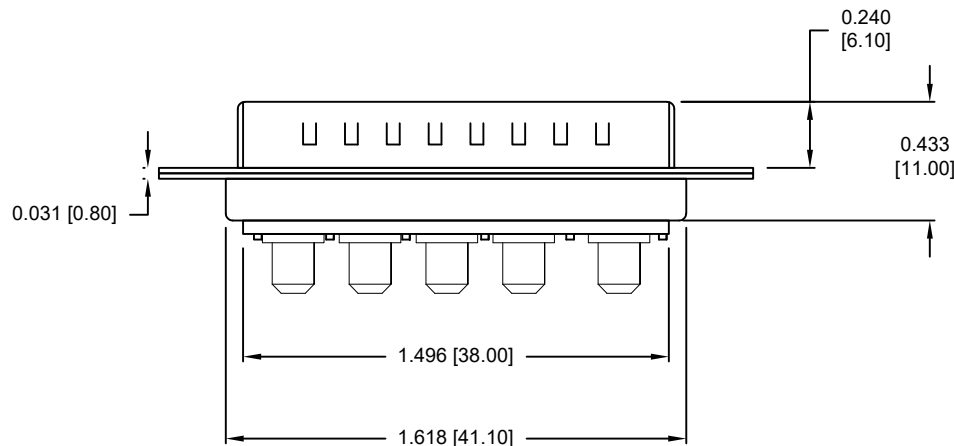
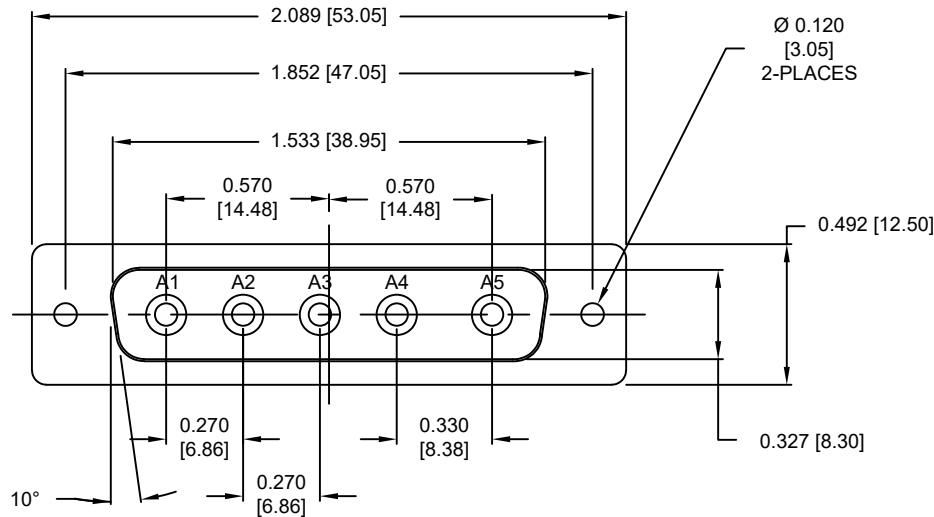
INSULATION RESISTANCE: 5 Gohms MIN.  
 DIELECTRIC WITHSTANDING VOLTAGE: 1000 VAC FOR 1 MIN  
 WORKING VOLTAGE: 250V  
 OPERATING TEMPERATURE: -55°C TO +125°C  
 POWER CONTACT RESISTANCE: 2.0 mOhms MAX.  
 POWER CONTACT AMPERAGE: SEE P/N KEY

MECHANICAL:

CONTACT INSERTION FORCE: 4.5 Kg MAX.  
 CONTACT SEPARATION FORCE: 0.3 Kg MIN.

MATERIALS:

CONTACTS: COPPER ALLOY, GOLD FLASH  
 INSULATOR: PBT UL94V-0 RATED  
 230°C PROCESS TEMP.  
 SHELL: NICKEL PLATED STEEL  
 HARDWARE: NICKEL PLATED BRASS



SEE SHEET 2  
FOR CONTACT DIMENSION DETAILS

681M5W5103LYYY

0 = 40 AMP POWER // STANDARD PCB TAILS  
 1 = 40 AMP POWER // 2.22mm PCB TAILS  
 2 = 20 AMP POWER // STANDARD PCB TAILS

0 = NO HARDWARE  
 1 = 0.098" CN PCB SIDE  
 2 = 0.236" CN PCB SIDE  
 3 = 0.236" CN MATING SIDE  
 4 = 0.237" BOARDLOCK PCB SIDE  
 5 = 0.224" BOARDLOCK PCB SIDE

1 = GOLD FLASH

RoHS COMPLIANT

UNITS = inches [mm]

DO NOT SCALE FROM DRAWING



THESE DRAWINGS AND SPECIFICATIONS ARE THE PROPERTY OF NorComp AND SHALL NOT BE REPRODUCED, COPIED OR USED AS THE BASIS FOR THE MANUFACTURE OR SALE OF APPARATUS WITHOUT WRITTEN PERMISSION.

DRAWN:  
P. JENKINS

DATE:  
06/22/2011

NorComp

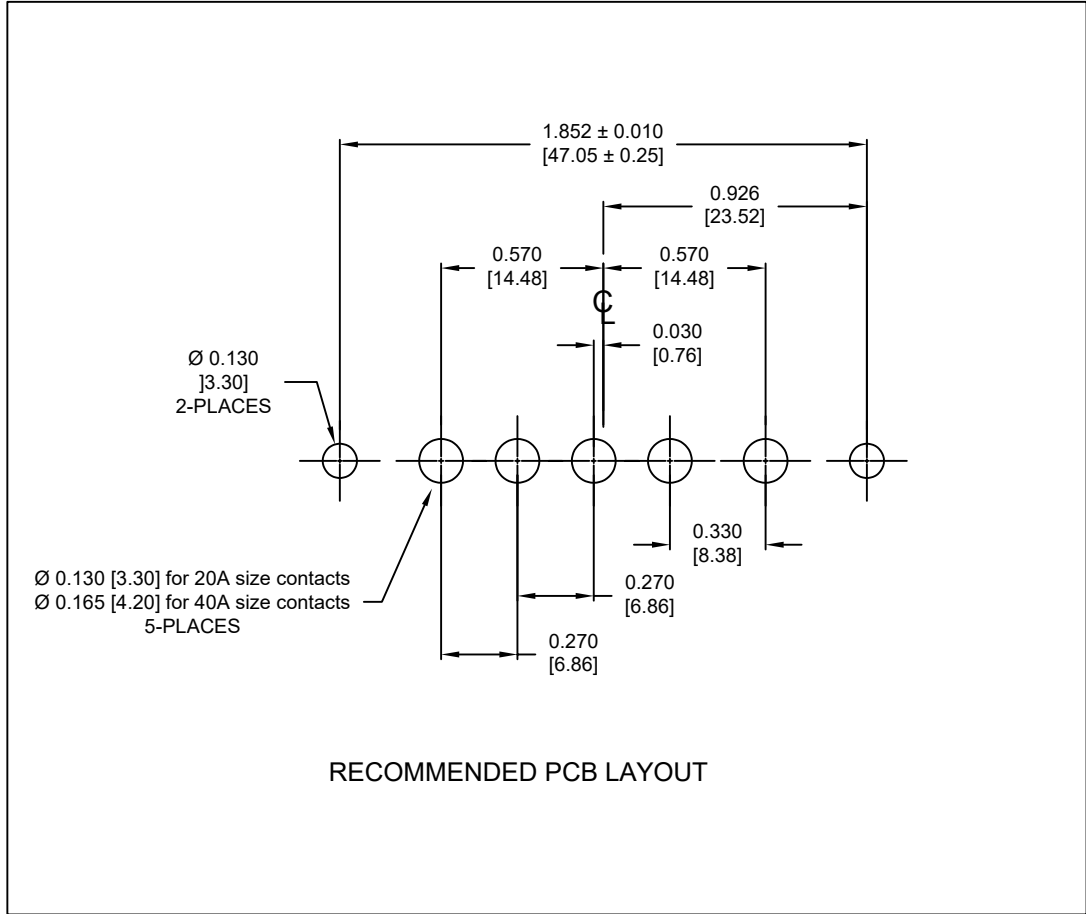
SCALE:  
NTS

SHEET 1 OF 3

REV 5

DWG NO.

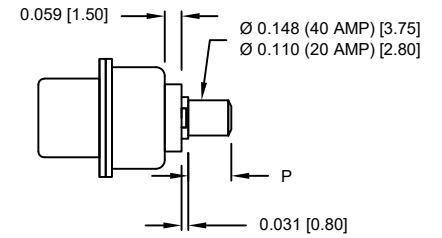
681M5W5103LYYY



NOTE:  
SIGNAL AND POWER CONTACTS  
COME PRE-LOADED INTO INSULATORS

DIMENSIONS (in/mm)	
OPTION	P
0 & 2	0.177
	4.50
1	0.087
	2.22

**POWER CONTACTS**



RoHS COMPLIANT

UNITS = inches [mm] DO NOT SCALE FROM DRAWING



THESE DRAWINGS AND SPECIFICATIONS ARE THE PROPERTY OF NorComp AND SHALL NOT BE REPRODUCED, COPIED OR USED AS THE BASIS FOR THE MANUFACTURE OR SALE OF APPARATUS WITHOUT WRITTEN PERMISSION.

DRAWN:  
**P. JENKINS**

DATE:  
**06/22/2011**

**NorComp**

SCALE:  
NTS

SHEET 2 OF 3

REV 5

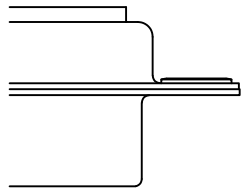
DWG NO.

**681M5W5103LYYY**

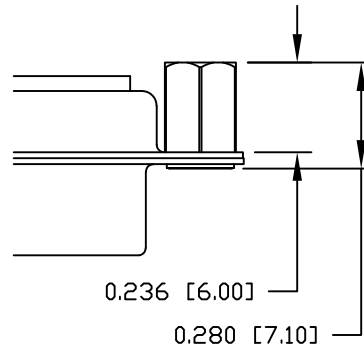
ALL CLINCH-NUTS ARE 4-40 INTERNAL THREADS

TOLERANCE:  
ALL DIMENSIONS ARE ±0.010

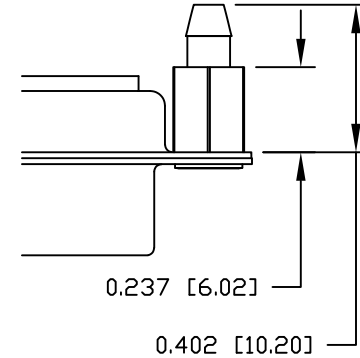
0 ..... NO HARDWARE



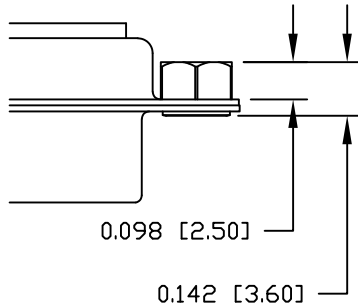
2 ..... 0.236" PCB SIDE



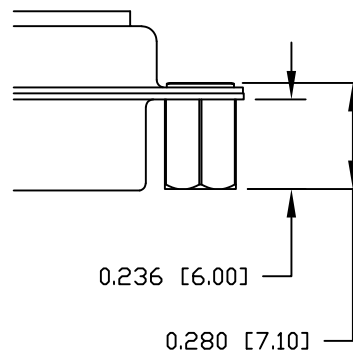
4 ..... 0.237" PCB SIDE



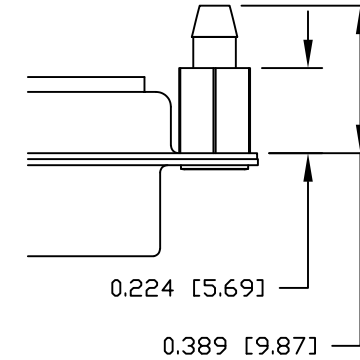
1 ..... 0.098" PCB SIDE



3 ..... 0.236" MATING SIDE



5 ..... 0.224" PCB SIDE



RoHS COMPLIANT

UNITS = inches [mm] DO NOT SCALE FROM DRAWING



THESE DRAWINGS AND SPECIFICATIONS ARE THE PROPERTY OF NorComp AND SHALL NOT BE REPRODUCED, COPIED OR USED AS THE BASIS FOR THE MANUFACTURE OR SALE OF APPARATUS WITHOUT WRITTEN PERMISSION.

DRAWN:  
P. JENKINS

DATE:  
06/22/2011

NorComp

SCALE:  
NTS

SHEET 3 OF 3

REV 5

DWG NO.

681M5W5103LYYY