

**SPECIFICATIONS:**

**MATERIALS:**

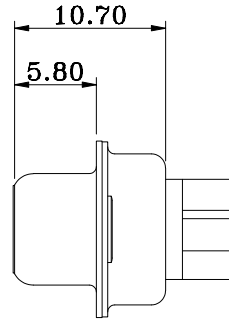
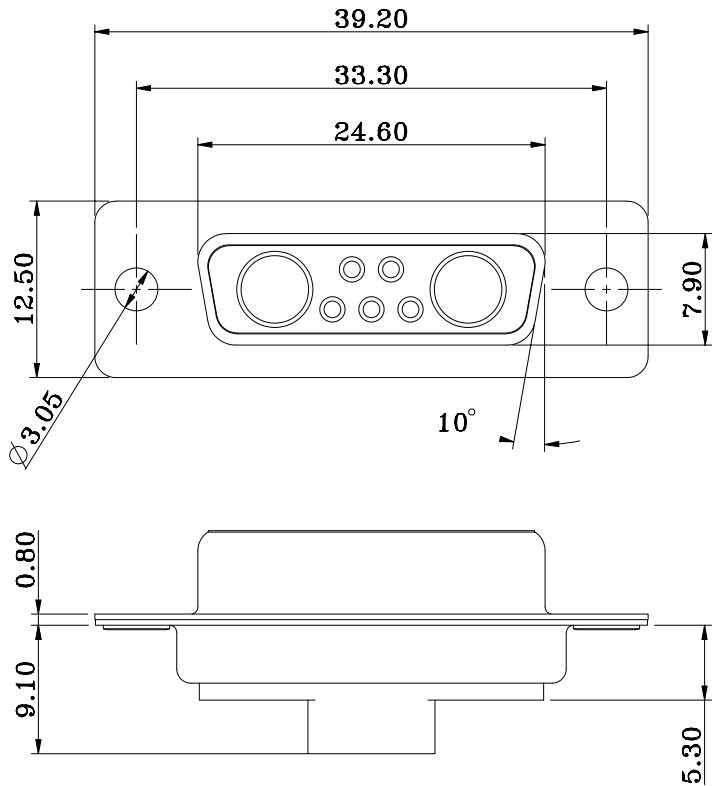
HOUSING: PBT, UL94 V-0, BLACK  
 SHELL: NICKEL PLATED STEEL  
 HARDWARE: NICKEL PLATED BRASS

**ELECTRICAL:**

RATED VOLTAGE: 250V  
 INSULATION RESISTANCE: 5 GOhms MIN.  
 DIELECTRIC WITHSTANDING: 1,000 VAC r.m.s.

**ENVIRONMENT:**

OPERATING TEMPERATURE: -55°C TO +125°C



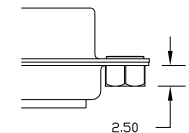
**680M7W2273L0Y0**

0 = NO HARDWARE  
 1 = 2.5mm #4-40 CLINCH NUT PCB SIDE

**HARDWARE OPTIONS**

"0" = NO HARDWARE

"1" = 2.5mm PCB SIDE



**SIGNAL AND POWER CONTACTS SOLD SEPARATELY**  
 (5x) SIGNAL CONTACT P/N = 680M002-071LY0Y (Y = Place holder for variants)  
 (2x) POWER CONTACT P/N = 680M002-072LY0Y (Y = Place holder for variants)

**RoHS COMPLIANT**

UNITS = mm

**DO NOT SCALE FROM DRAWING**



THESE DRAWINGS AND SPECIFICATIONS ARE THE PROPERTY OF NorComp AND SHALL NOT BE REPRODUCED, COPIED OR USED AS THE BASIS FOR THE MANUFACTURE OR SALE OF APPARATUS WITHOUT WRITTEN PERMISSION.

DRAWN:

J. KADEL

DATE:

11/16/2022

**NorComp**

SCALE:  
NTS

SHEET 1 OF 1

REV 0

DWG NO.

**680M7W2273L0Y0**