

DESCRIPTION: POWER / SIGNAL - SOLDER CUP - FEMALE - MACHINED

SPECIFICATIONS:

MATERIALS:

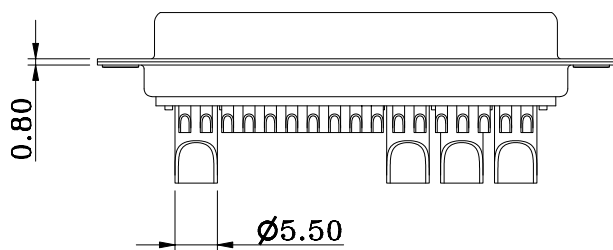
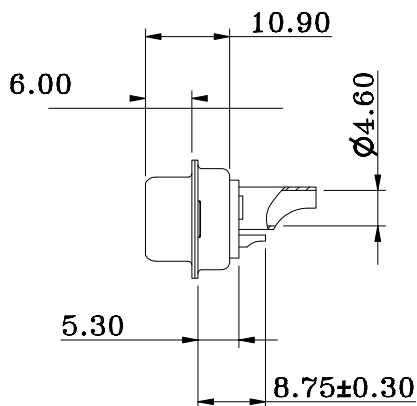
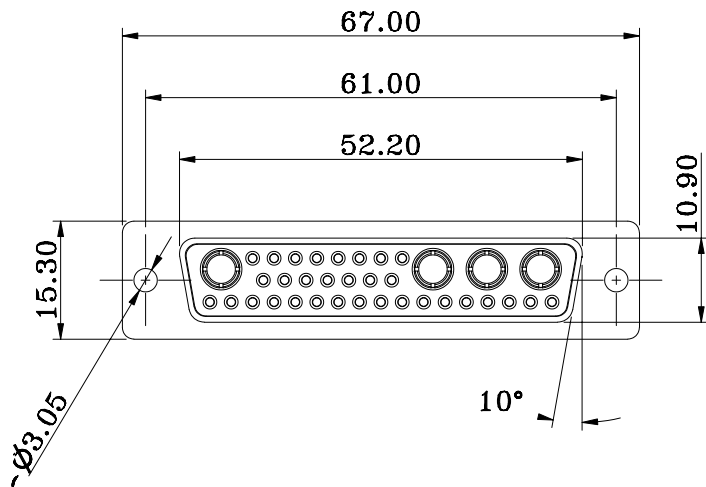
HOUSING: PBT, UL94 V-0, BLACK
 230°C PROCESS TEMP
 CONTACTS: GOLD FLASH PLATED COPPER ALLOY
 (SEE P/N KEY BELOW)
 NUT: NICKEL PLATED STEEL
 SHELL: NICKEL PLATED STEEL

ELECTRICAL:

POWER CONTACT CURRENT RATING: 40A
 SINGLE CONTACT CURRENT RATING: 5A
 RATED WORKING VOLTAGE: 250V
 DIELECTRIC WITHSTANDING VOLTAGE: 1000 V AC FOR 1 MIN.
 INSULATION RESISTANCE: 5 GOhms MIN.
 POWER CONTACT RESISTANCE: 1 mOhms MAX.
 SIGNAL CONTACT RESISTANCE: 10 mOhms MAX.

ENVIRONMENT:

OPERATING TEMPERATURE: -55°C TO +125°C



680M36W4203L401

4 = 40 AMP
 0 = NO HARDWARE
 1 = GOLD FLASH
 *CONTACT NORCOMP FOR MORE OPTIONS

RoHS COMPLIANT

UNITS = mm

DO NOT SCALE FROM DRAWING



THESE DRAWINGS AND SPECIFICATIONS ARE THE PROPERTY OF NorComp AND SHALL NOT BE REPRODUCED, COPIED OR USED AS THE BASIS FOR THE MANUFACTURE OR SALE OF APPARATUS WITHOUT WRITTEN PERMISSION.

DRAWN:
J. F. KADEL

DATE:
07/8/2024

NorComp

SCALE:
NTS

SHEET 1 OF 1

REV 0

DWG NO.

680M36W4203L401