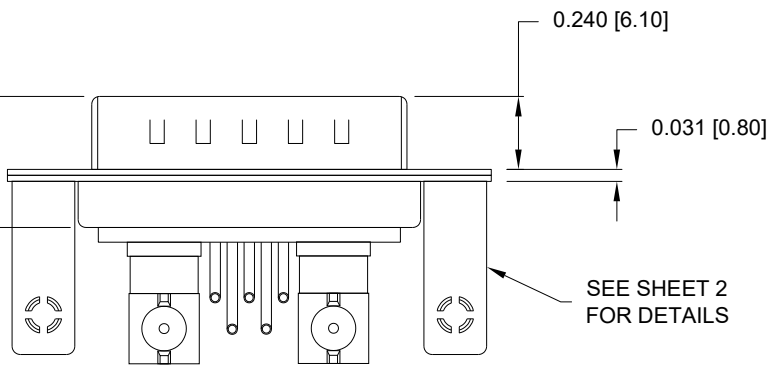
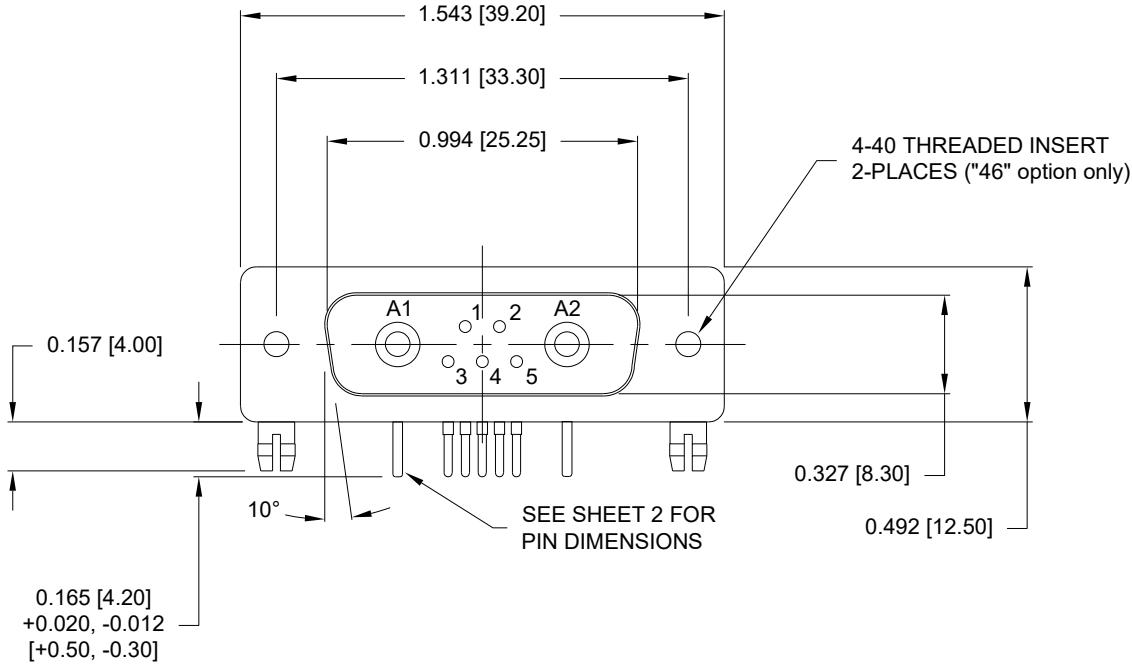


DESCRIPTION: 7W2 // M // COAXIAL & SIGNAL // RA PCB MOUNT



SPECIFICATIONS:

MATERIALS:
 HOUSING: PBT, UL94 V-0, BLACK
 230°C PROCESS TEMP.
 CONTACTS: GOLD PLATED BRASS
 SHELL: NICKEL PLATED STEEL

ELECTRICAL:
 SIGNAL CURRENT RATING: 5A
 D.W.V: 1000VAC r.m.s.
 COAXIAL IMPEDANCE: 50 Ohm
 INSULATION RESISTANCE: 5 GOhms MIN.
 SIGNAL CONTACT RESISTANCE: 10 mOhms MAX.
 COAXIAL CONTACT RESISTANCE: 2.7 mOhms MAX.

ENVIRONMENT:
 OPERATING TEMPERATURE: -55°C TO +125°C

685M7W2103LYY1

46 = #4-40 INSERTS/BOARD LOCKS

RoHS COMPLIANT

UNITS = INCHES [MM] **DO NOT SCALE FROM DRAWING**

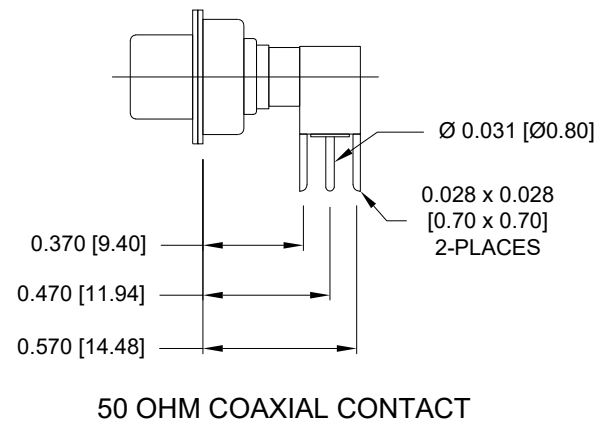
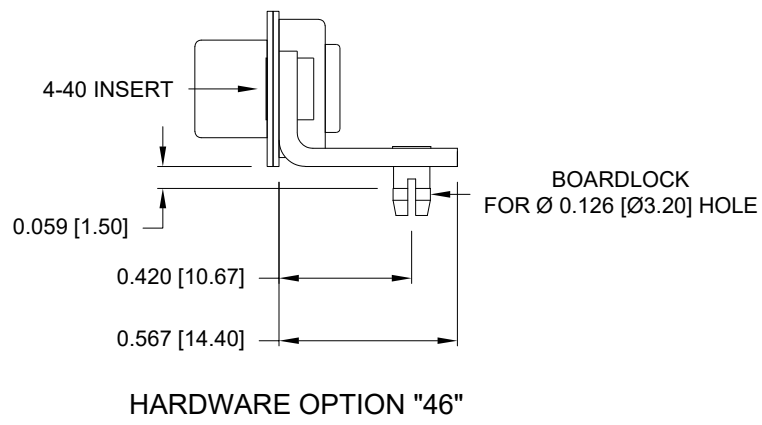
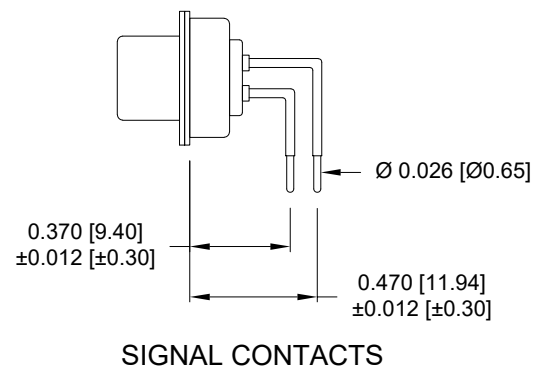
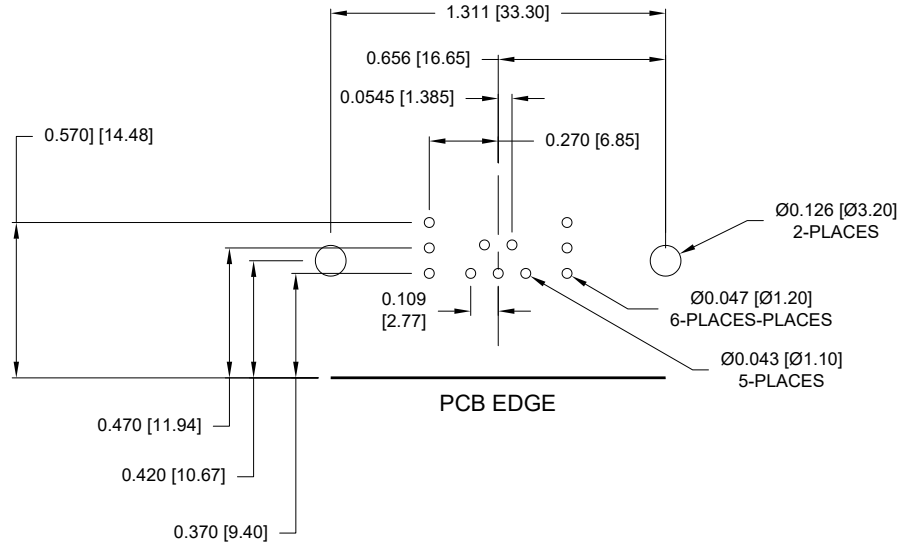
NC THESE DRAWINGS AND SPECIFICATIONS ARE THE PROPERTY OF NorComp AND SHALL NOT BE REPRODUCED, COPIED OR USED AS THE BASIS FOR THE MANUFACTURE OR SALE OF APPARATUS WITHOUT WRITTEN PERMISSION.

DRAWN: M. SIGMON
 DATE: 03/03/2015

NorComp

SCALE: NTS	SHEET 1 OF 2	REV 4
DWG NO: 685M7W2103L461		

**NOTE:
COAXIAL CONTACTS COME
PRE-LOADED INTO INSULATORS**



RoHS COMPLIANT

UNITS = INCHES [MM] **DO NOT SCALE FROM DRAWING**

	THESE DRAWINGS AND SPECIFICATIONS ARE THE PROPERTY OF NorComp AND SHALL NOT BE REPRODUCED, COPIED OR USED AS THE BASIS FOR THE MANUFACTURE OR SALE OF APPARATUS WITHOUT WRITTEN PERMISSION.	DRAWN: M. SIGMON
		DATE: 03/03/2015

	SCALE: NTS	SHEET OF 2 2	REV 4
	DWG NO: 685M7W2103L461		