

DESCRIPTION: COAXIAL - RIGHT ANGLE - MALE - MACHINED

SPECIFICATIONS:

ELECTRICAL:

INSULATOR RESISTANCE: 5 GOHMS Min.
 DIELECTRIC WITHSTANDING: 1,000VAC r.m.s.
 OPERATING TEMPERATURE: -55° C ~ +125° C
 COAXIAL CONTACT RESISTANCE: 2.7 MILLIOHMS Max.
 COAXIAL PINS: 50 OHM
 SIGNAL PINS: 5 AMPS

MECHANICAL:

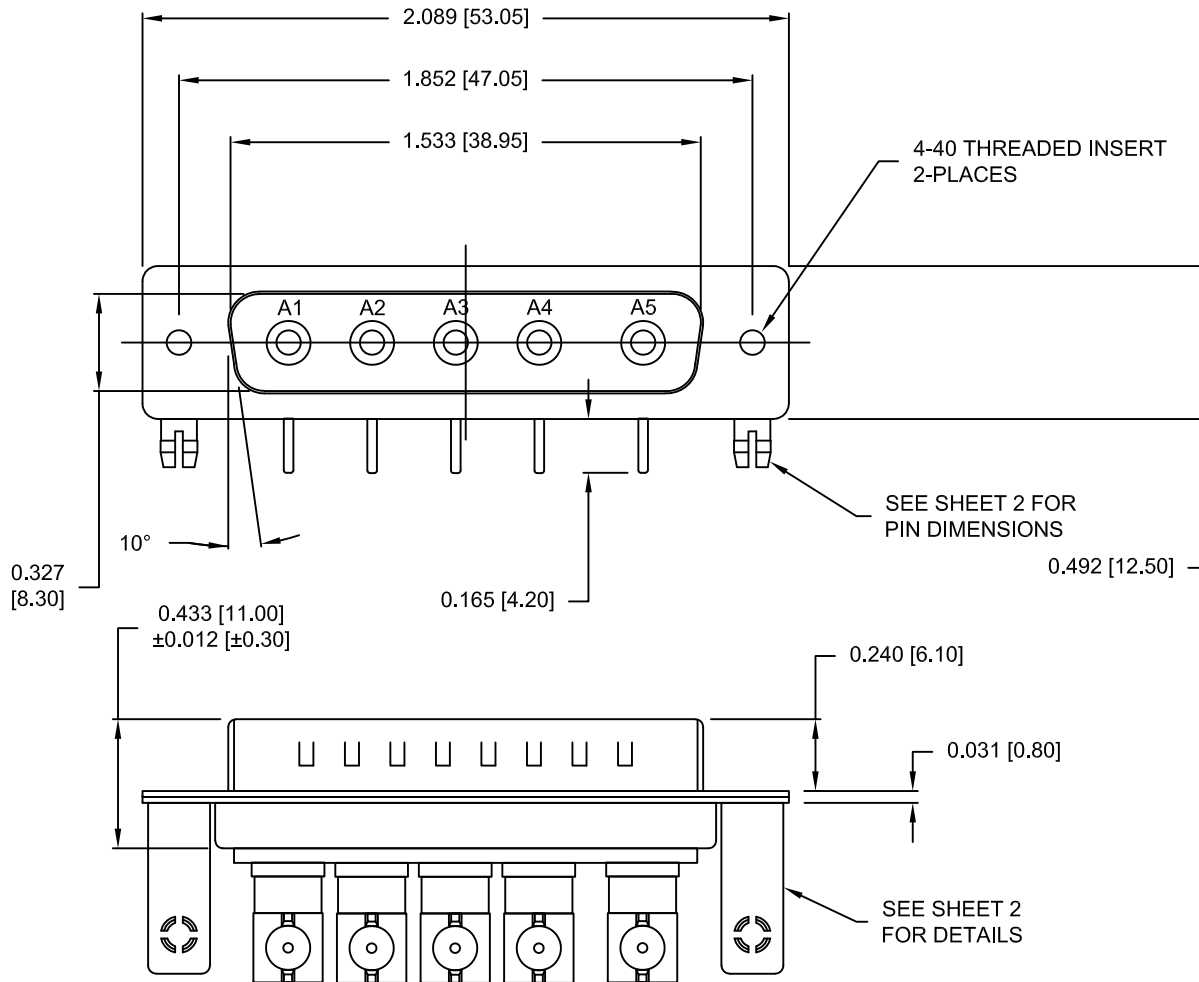
CONTACT INSERTION FORCE: 4.5 Kg Max.
 CONTACT SEPARATOR FORCE: 0.3Kg Min.

MATERIALS:

CONTACTS: COPPER ALLOY
 INSULATOR: PBT UL94V-0 RATED,
 230°C PROCESS TEMP.
 SHELL: STEEL

FINISH:


SHELL: NICKEL
 CONTACTS: FULL GOLD FLASH



685M5W5103L461

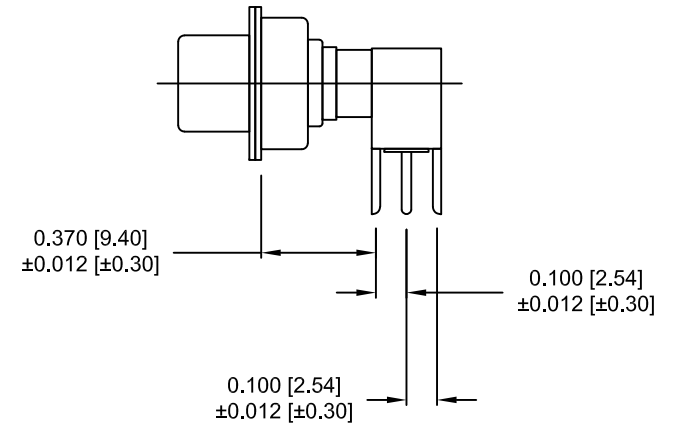
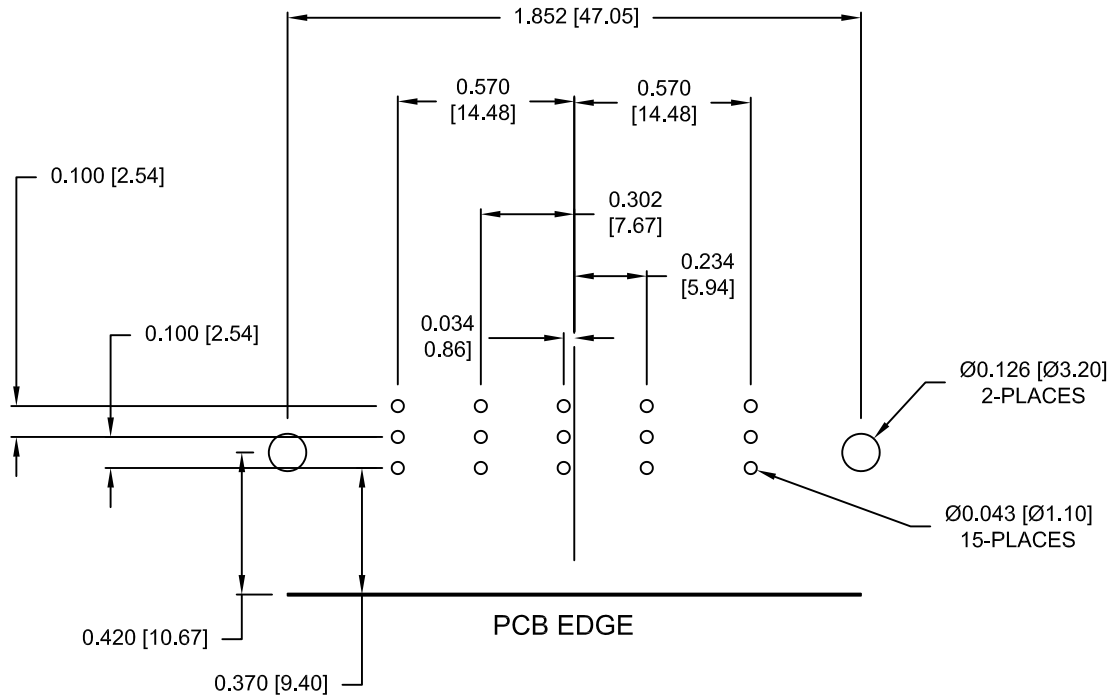
46 = 4-40 INSERTS / BOARD LOCKS

RoHS COMPLIANT

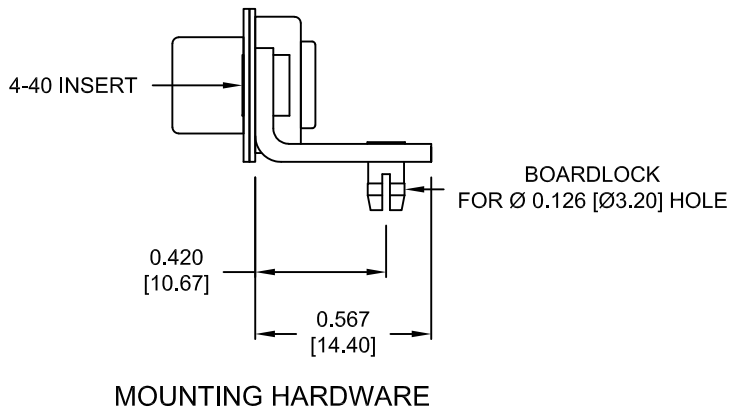
	THESE DRAWINGS AND SPECIFICATIONS ARE THE PROPERTY OF NorComp AND SHALL NOT BE REPRODUCED, COPIED OR USED AS THE BASIS FOR THE MANUFACTURE OR SALE OF APPARATUS WITHOUT WRITTEN PERMISSION.		DRAWN: M. SIGMON	DATE: 03-05-14
	NorComp		SCALE: 1.5 = 1	SHEET 1 OF 2
DWG NO. 685M5W5103L461				

DESCRIPTION: 685M SERIES CONTACTS


NOTE:
COAXIAL CONTACTS COME
PRE-LOADED INTO INSULATORS



50 OHM COAXIAL CONTACT



RoHS COMPLIANT

	THESE DRAWINGS AND SPECIFICATIONS ARE THE PROPERTY OF NorComp AND SHALL NOT BE REPRODUCED, COPIED OR USED AS THE BASIS FOR THE MANUFACTURE OR SALE OF APPARATUS WITHOUT WRITTEN PERMISSION.		DRAWN: M. SIGMON	DATE: 03-05-14
	<h1>NorComp</h1>		SCALE: 1.5 = 1	SHEET OF 2 2
			DWG NO. 685M5W5103L461	