

DESCRIPTION: COAXIAL / SIGNAL - RIGHT ANGLE - MALE - MACHINED

UNITS = INCHES [MM]

SPECIFICATIONS:

ELECTRICAL:

INSULATOR RESISTANCE: 5 GOHMS Min.
 DIELECTRIC WITHSTANDING: 1,000VAC r.m.s.
 OPERATING TEMPERATURE: -55° C ~ +125° C
 SIGNAL CONTACT RESISTANCE: 10 Milliohms Max.
 COAXIAL CONTACT RESISTANCE: 2.7 Milliohms Max.
 COAXIAL IMPEDANCE: 50 OHM
 SIGNAL CURRENT RATING: 5 AMPS

MECHANICAL:

CONTACT INSERTION FORCE: 4.5 Kg Max.
 CONTACT SEPARATOR FORCE: 0.3Kg Min.

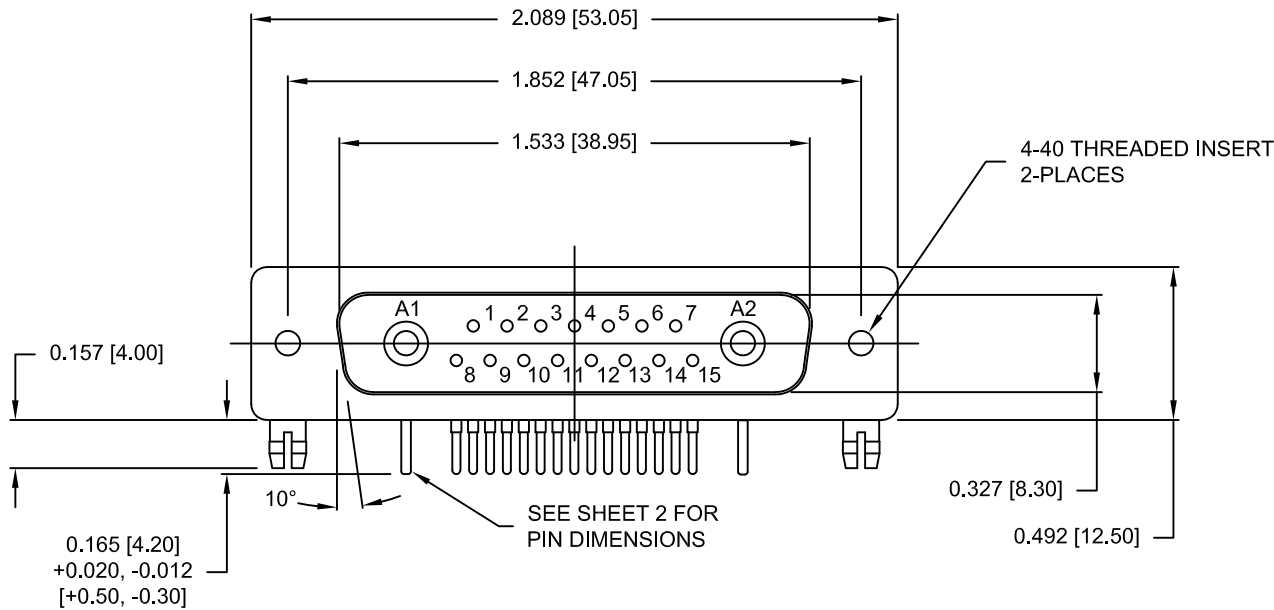
MATERIALS:

CONTACTS: COPPER ALLOY
 INSULATOR: PBT UL94V-0 RATED,
 BLACK
 230°C PROCESS TEMP.
 STEEL

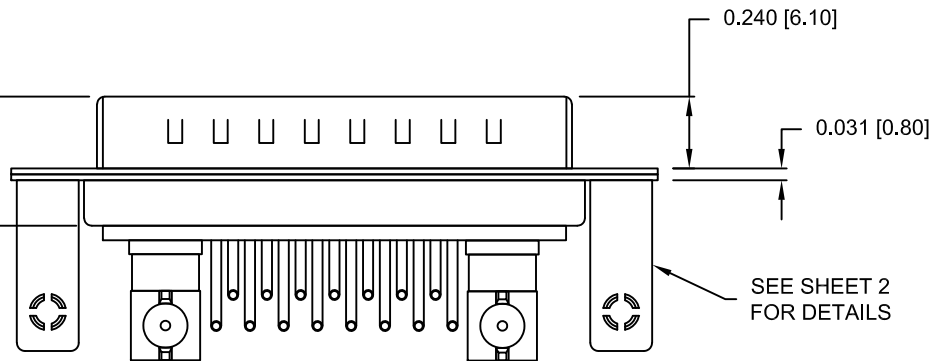
SHELL:

FINISH:

SHELL: NICKEL
 CONTACTS: FULL GOLD FLASH



0.433 [11.00]
 ±0.012 [±0.30]



685M17W2103L461

46 = 4-40 INSERTS /
 BOARD LOCKS

RoHS COMPLIANT



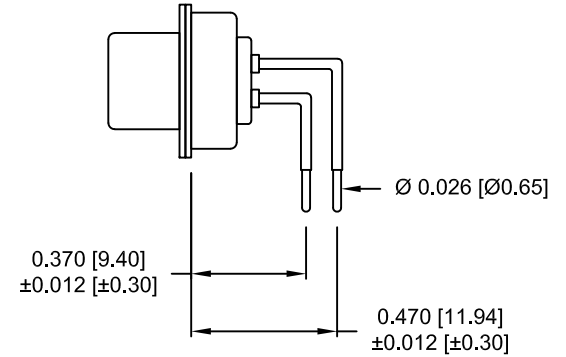
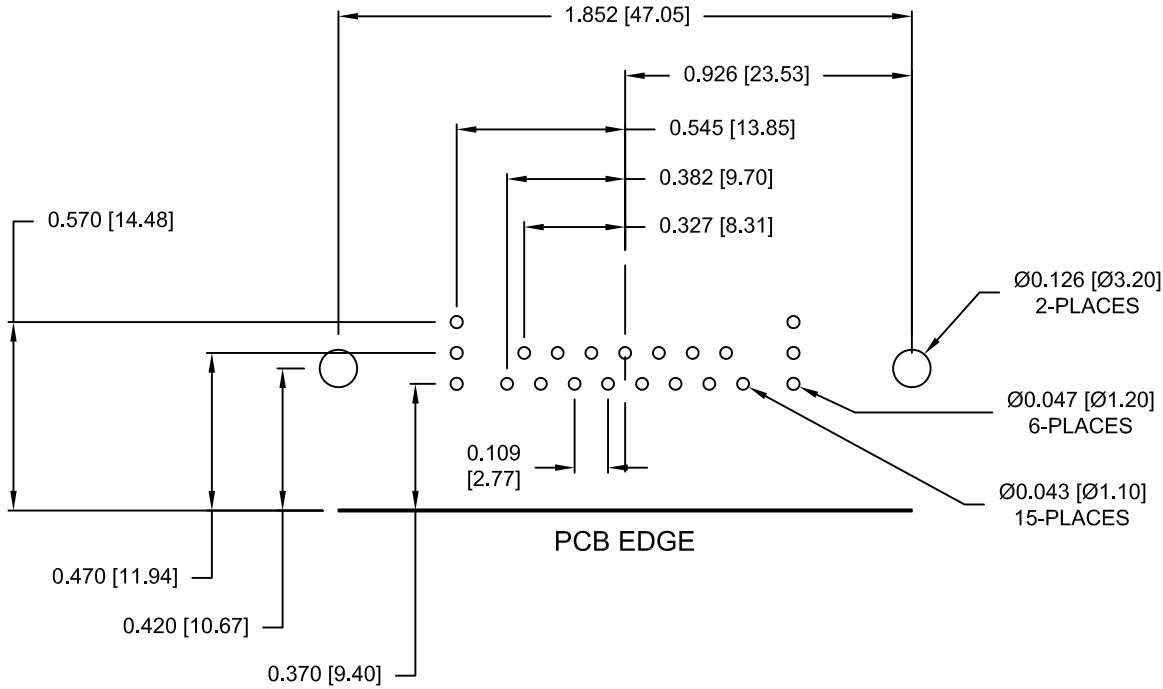
THESE DRAWINGS AND SPECIFICATIONS ARE THE PROPERTY OF NorComp AND SHALL NOT BE REPRODUCED, COPIED OR USED AS THE BASIS FOR THE MANUFACTURE OR SALE OF APPARATUS WITHOUT WRITTEN PERMISSION.

NorComp

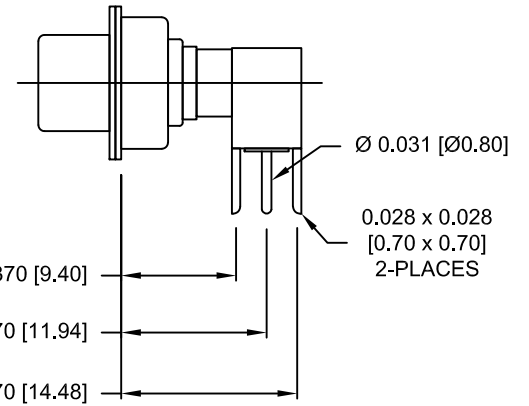
DRAWN: M. SIGMON		DATE: 03-11-15	
SCALE: 1.5 = 1	SHEET 1	OF 2	REV 1
DWG NO. 685M17W2103L461			

DESCRIPTION: 685M SERIES CONTACTS

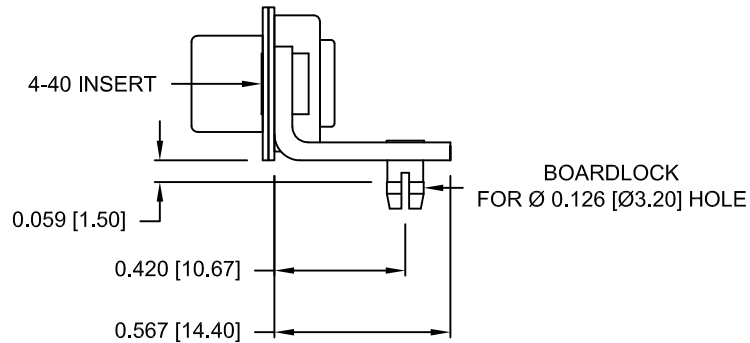
NOTE:
COAXIAL CONTACTS COME
PRE-LOADED INTO INSULATORS



SIGNAL CONTACTS



50 OHM COAXIAL CONTACT



MOUNTING HARDWARE

RoHS COMPLIANT

	THESE DRAWINGS AND SPECIFICATIONS ARE THE PROPERTY OF NorComp AND SHALL NOT BE REPRODUCED, COPIED OR USED AS THE BASIS FOR THE MANUFACTURE OR SALE OF APPARATUS WITHOUT WRITTEN PERMISSION.		DRAWN: M. SIGMON	DATE: 03-11-15
	<h1>NorComp</h1>		SCALE: 1.5 = 1	SHEET OF 2 2
			DWG NO. 685M17W2103L461	