

DESCRIPTION: 7W2 // F // COAXIAL & SIGNAL // RA PCB MOUNT

SPECIFICATIONS:

MATERIALS:

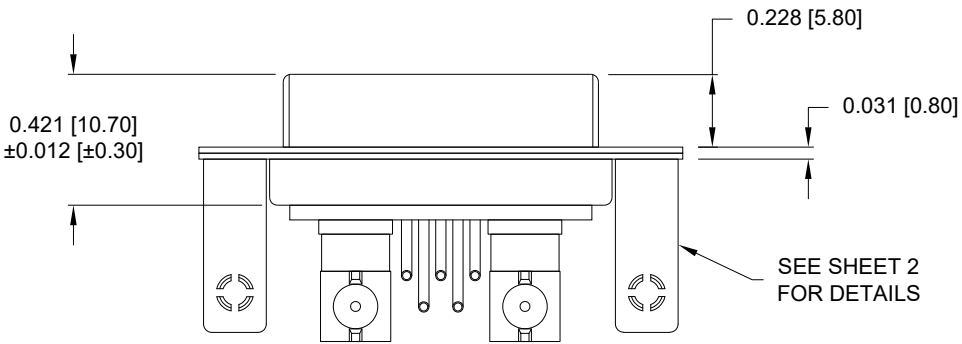
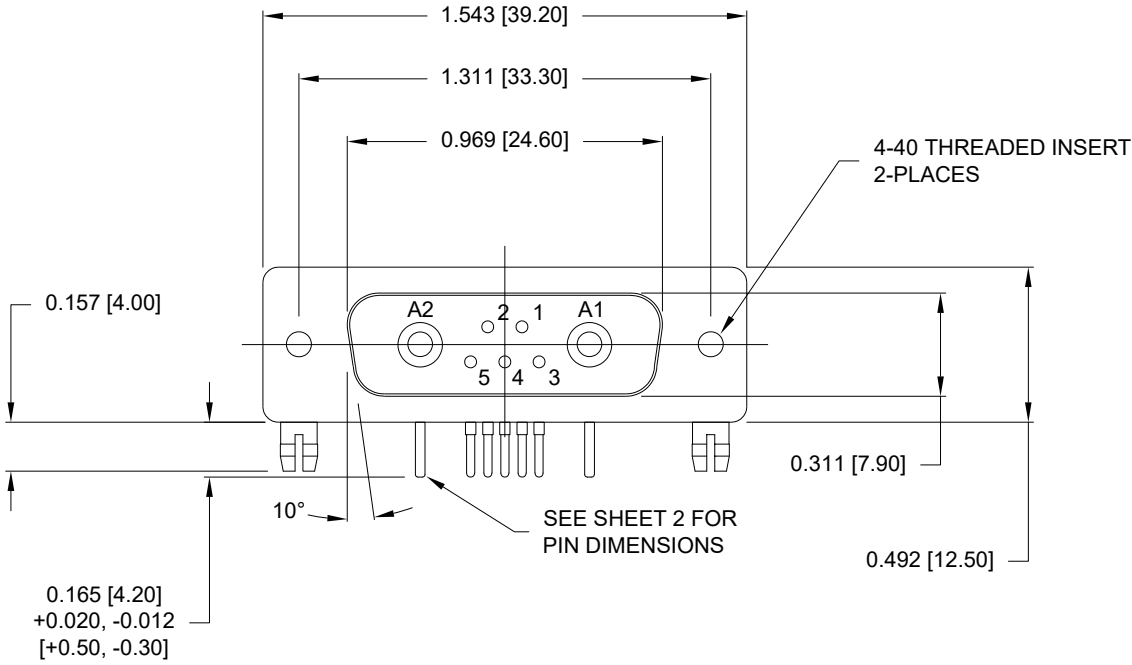
INSULATOR: PBT, UL94 V-0, BLACK
 230°C PROCESS TEMP
 CONTACTS: GOLD PLATED BRASS
 GOLD FLASH
 SHELL: NICKEL PLATED STEEL

ELECTRICAL:

RATED SIGNAL CURRENT: 5A
 OPERATING VOLTAGE: 500V
 INSULATION RESISTANCE: 5 GOhms MIN.
 SIGNAL CONTACT RESISTANCE: 10 mOhms MAX.
 COAXIAL CONTACT RESISTANCE: 2.7 mOhms MAX.
 COAXIAL IMPEDANCE: 50 Ohm

ENVIRONMENT:

OPERATING TEMPERATURE: -55°C TO +125°C



685M7W2203L461

46 = 4-40 INSERTS / BOARD LOCKS

RoHS COMPLIANT

UNITS = INCHES [MM] **DO NOT SCALE FROM DRAWING**

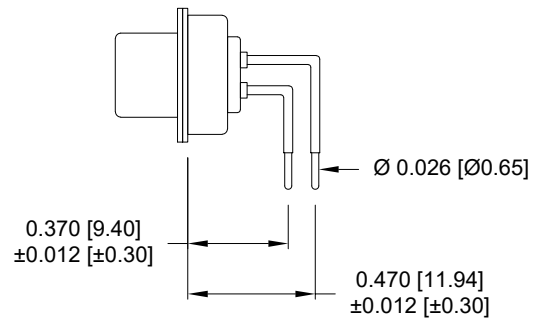
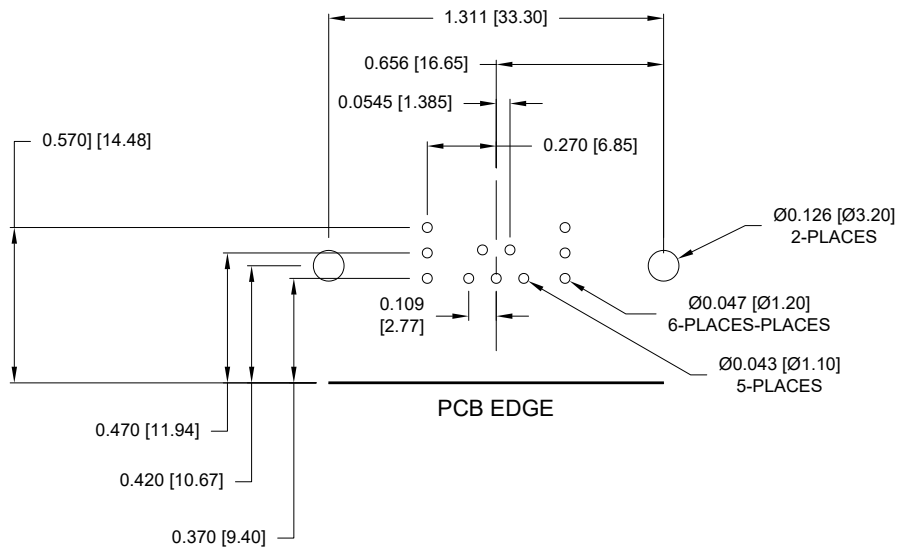
NC THESE DRAWINGS AND SPECIFICATIONS ARE THE PROPERTY OF NorComp AND SHALL NOT BE REPRODUCED, COPIED OR USED AS THE BASIS FOR THE MANUFACTURE OR SALE OF APPARATUS WITHOUT WRITTEN PERMISSION.

DRAWN: M. SIGMON
 DATE: 03/03/2015

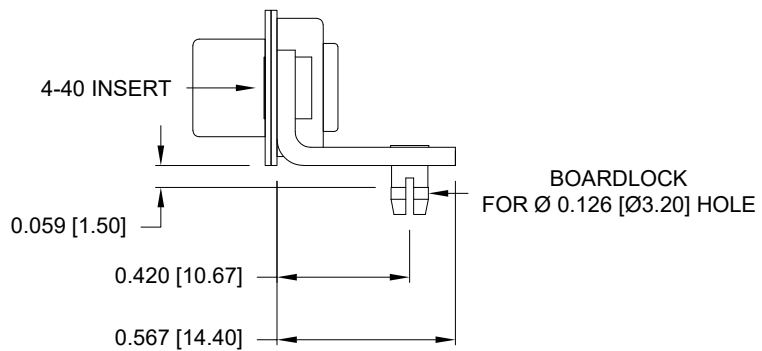
NorComp

SCALE: NTS	SHEET 1 OF 2	REV 3
DWG NO: 685M7W2203L461		

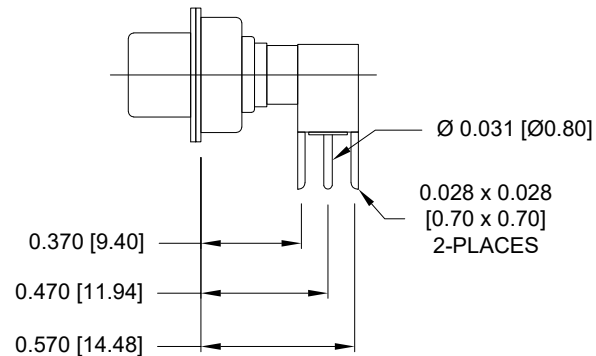
**NOTE:
COAXIAL CONTACTS COME
PRE-LOADED INTO INSULATORS**



SIGNAL CONTACTS



HARDWARE OPTION "46"



50 OHM COAXIAL CONTACT

RoHS COMPLIANT

UNITS = INCHES [MM] **DO NOT SCALE FROM DRAWING**



THESE DRAWINGS AND SPECIFICATIONS ARE THE PROPERTY OF NorComp AND SHALL NOT BE REPRODUCED, COPIED OR USED AS THE BASIS FOR THE MANUFACTURE OR SALE OF APPARATUS WITHOUT WRITTEN PERMISSION.

DRAWN:
M. SIGMON

DATE:
03/03/2015

NorComp

SCALE:
NTS

SHEET OF
2 2

REV
3

DWG NO: **685M7W2203L461**