

DESCRIPTION: 5W1 // F // COAXIAL & SIGNAL // RA PCB MOUNT

**SPECIFICATIONS:**

**MATERIALS:**

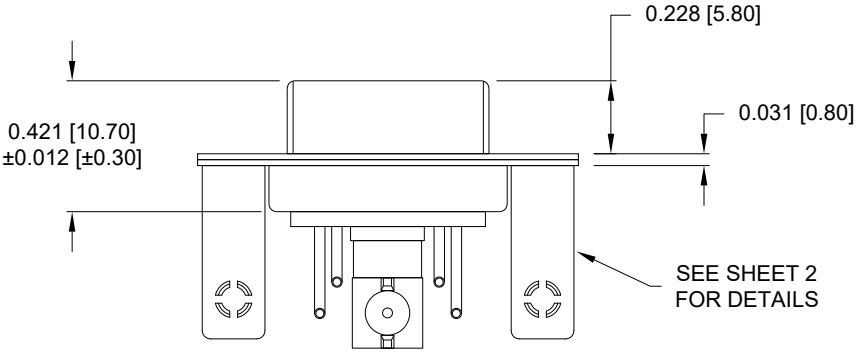
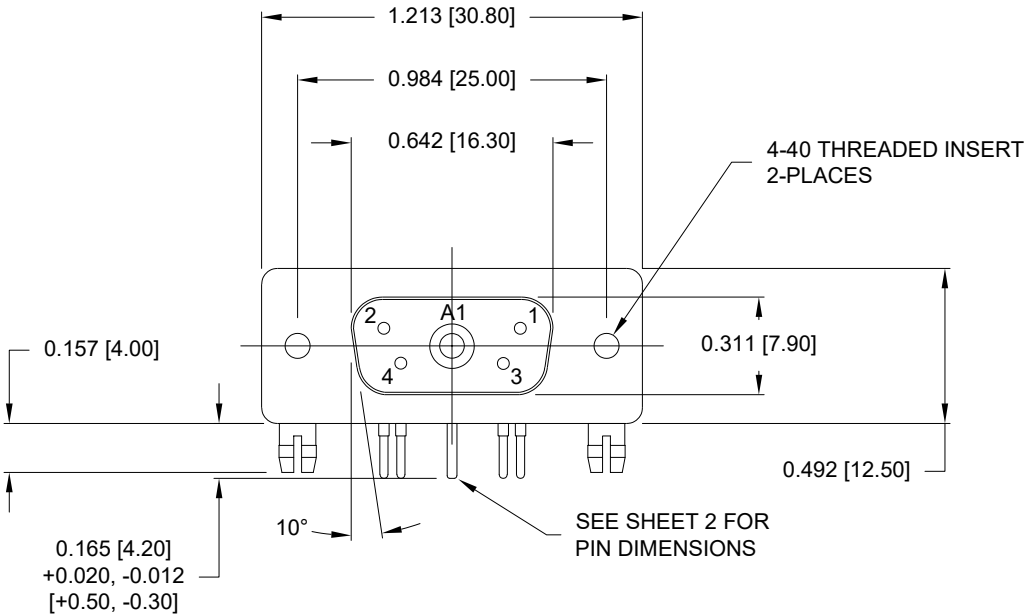
INSULATOR: PBT, UL94 V-0, BLACK  
 230°C PROCESS TEMP  
 CONTACTS: GOLD PLATED BRASS  
 GOLD FLASH  
 SHELL: NICKEL PLATED STEEL

**ELECTRICAL:**

RATED SIGNAL CURRENT: 5A  
 OPERATING VOLTAGE: 500V  
 INSULATION RESISTANCE: 5 GOhms MIN.  
 SIGNAL CONTACT RESISTANCE: 10 mOhms MAX.  
 COAXIAL CONTACT RESISTANCE: 2.7 mOhms MAX.  
 COAXIAL IMPEDANCE: 50 Ohm

**ENVIRONMENT:**

OPERATING TEMPERATURE: -55°C TO +125°C



**685M5W1203L461**

46 = 4-40 INSERTS / BOARD LOCKS

**RoHS COMPLIANT**

UNITS = INCHES [MM] **DO NOT SCALE FROM DRAWING**

	THESE DRAWINGS AND SPECIFICATIONS ARE THE PROPERTY OF NorComp AND SHALL NOT BE REPRODUCED, COPIED OR USED AS THE BASIS FOR THE MANUFACTURE OR SALE OF APPARATUS WITHOUT WRITTEN PERMISSION.	DRAWN: <b>M. SIGMON</b>
		DATE: <b>03/03/2015</b>

	SCALE: NTS	SHEET 1 OF 2	REV 3
	DWG NO: <b>685M5W1203L461</b>		

