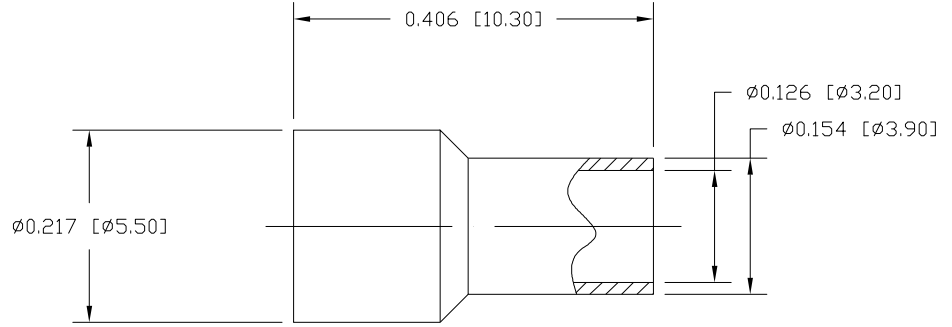
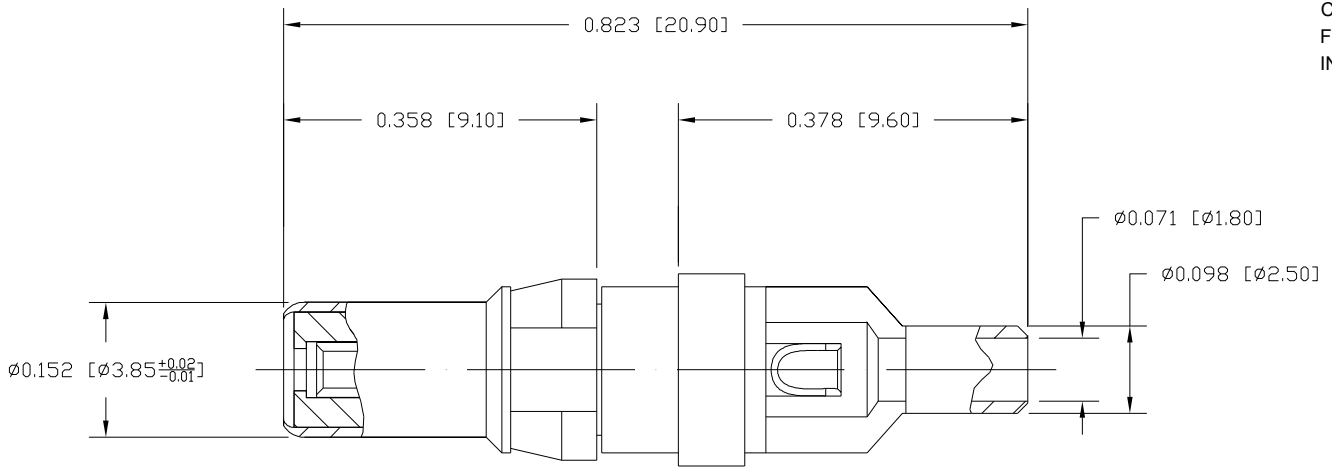


SPECIFICATIONS:

ELECTRICAL:
 INSULATION RESISTANCE: 10 GOhms
 WORKING VOLTAGE: 500 V rms
 TEST VOLTAGE: 1500 V rms
 OPERATING TEMPERATURE: -55°C TO +125°C
 CONTACT IMPEDANCE: 50 Ohms
 FREQUENCY RANGE: DC to 2 Ghz

MATERIALS:
 CONTACTS: GOLD FLASH PLATED BRASS
 FERRULE: GOLD FLASH PLATED BRASS
 INSULATOR: TEFLON



RoHS COMPLIANT

UNITS = inch [mm]

DO NOT SCALE FROM DRAWING



THESE DRAWINGS AND SPECIFICATIONS ARE THE PROPERTY OF NorComp AND SHALL NOT BE REPRODUCED, COPIED OR USED AS THE BASIS FOR THE MANUFACTURE OR SALE OF APPARATUS WITHOUT WRITTEN PERMISSION.

DRAWN: M. SIGMON

DATE: 04/23/2014

NorComp

SCALE: NTS

SHEET 1 OF 1

REV 2

DWG NO. 682-201-050L001