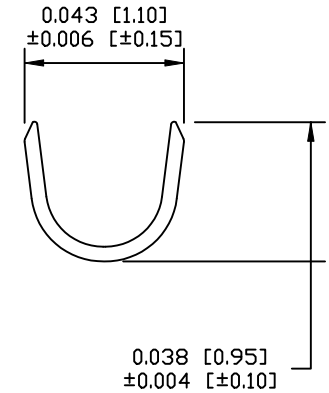
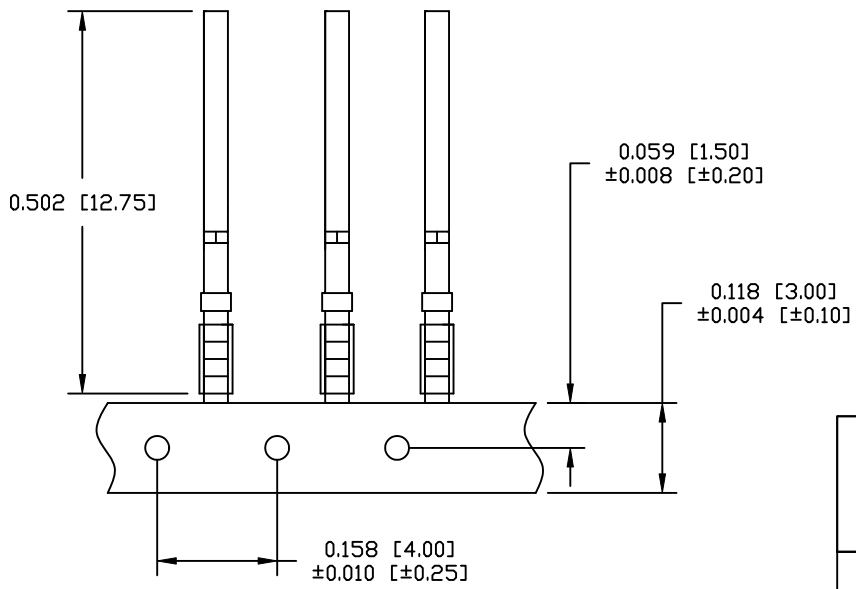


DETAIL A - A



*****USE 28 AWG WIRE*****

MATERIAL: PHOSPHOR BRONZE
PLATING: 15µ" MIN. GOLD ON MATING END;
ALL UNDERPLATING NICKEL



DO NOT SCALE FROM DRAWING

	THESE DRAWINGS AND SPECIFICATIONS ARE THE PROPERTY OF NorComp AND SHALL NOT BE REPRODUCED, COPIED OR USED AS THE BASIS FOR THE MANUFACTURE OF SALE OF APPARATUS WITHOUT WRITTEN PERMISSION.		DRAWN: M. SIGMON	DATE: 08-10-11
			CHECKED:	DATE:
<h1>NorComp</h1>		SCALE: 10 : 1	SHEET 1	OF 1
		DWG NO. 960-001-170L005		

RoHS COMPLIANT