

DESCRIPTION: MACHINED MICRO-D // RIGHT ANGLE SOLDER // MALE

SPECIFICATIONS:

MATERIALS:

INSULATOR: LCP, UL94 V-0, BLACK
 CONTACTS: 15µ" GOLD PLATED BRASS MATING AREA
 60µ" TIN PLATED BRASS SOLDER AREA
 FRONT SHELL: NICKEL PLATED STEEL 60µ"-100µ"
 BACK SHELL: NICKEL PLATED BRASS 60µ"-100µ"
 BOARD LOCK: NICKEL PLATED BRASS 60µ"-100µ"

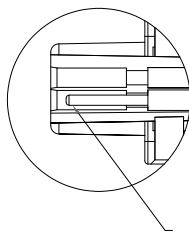
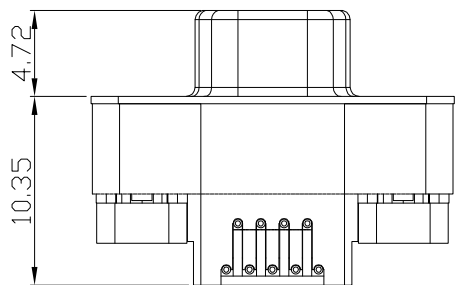
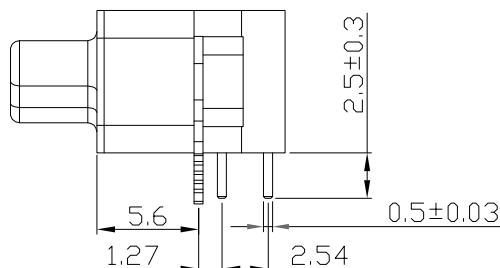
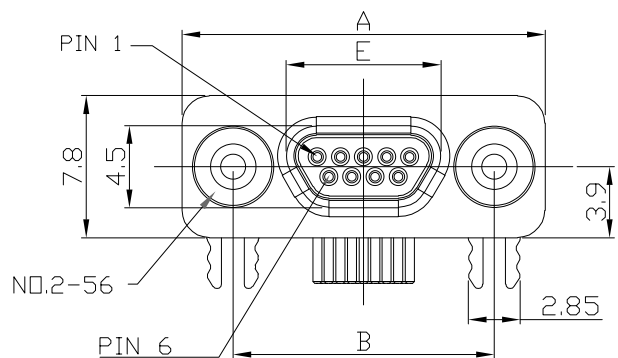
ELECTRICAL:

RATED CURRENT: 2A
 RATED VOLTAGE: 60VDC
 D.W.V.: 630 VAC for 1 min.
 INSULATION RESISTANCE: 1000 MOhms MIN.
 CONTACT RESISTANCE: 30 mOhms MAX.

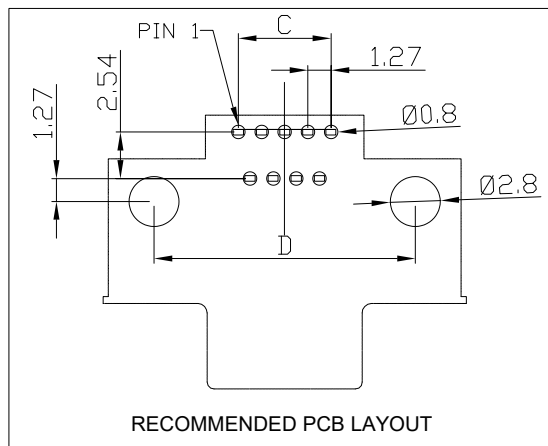
ENVIRONMENT:

OPERATING TEMPERATURE: -40°C TO +125°C
 PROCESS TEMPERATURE: 260°C

*NOT DESIGNED TO MATE WITH NORCOMP 380 // 381 // 960 SERIES & NORCOMP MICRO-D CABLE ASSEMBLIES USING THE 960 SERIES CONNECTORS.
 **DESIGNED TO MATE WITHIN NORCOMP 58Y-M SERIES MICRO-D CONNECTORS



NESTED
 PLUG
 CONTACT



DIMENSIONS(mm)					
SIZE	A	B	C	D	E
9	19.93	14.35	5.08	14.35	8.30
15	23.75	18.20	8.89	18.16	12.20
25	30.10	24.55	15.24	24.51	18.55

581-MYY-113L461

SERIES 581 = MACHINED MICRO-D
 MACHINED
 POSITIONS 09, 15, 25
 GENDER 1 = MALE - SOLID PIN CONTACTS
 RIGHT ANGLE SOLDER TERMINATION
 CONTACT PLATING OPTIONS
 1 = 15µ" GOLD PLATING
 2 = 30µ" GOLD PLATING

RoHS COMPLIANT



THESE DRAWINGS AND SPECIFICATIONS ARE THE PROPERTY OF NorComp AND SHALL NOT BE REPRODUCED, COPIED OR USED AS THE BASIS FOR THE MANUFACTURE OR SALE OF APPARATUS WITHOUT WRITTEN PERMISSION.

DRAWN: J. KADEL
 DATE: 05/14/2020

TOLERANCES
 .x ±0.20
 .xx ±0.15
 .xxx ±0.10
 .xxxx ±0.05
 ANGULAR ±1°

UNITS = mm

DO NOT SCALE FROM DRAWING

NorComp

SCALE: NTS
 SHEET 1 OF 1
 REV 7
 DWG NO. 581-MYY-113L461