

DESCRIPTION: MACHINED MICRO-D // VERTICAL SOLDER // FEMALE

**SPECIFICATIONS:**

**MATERIALS:**

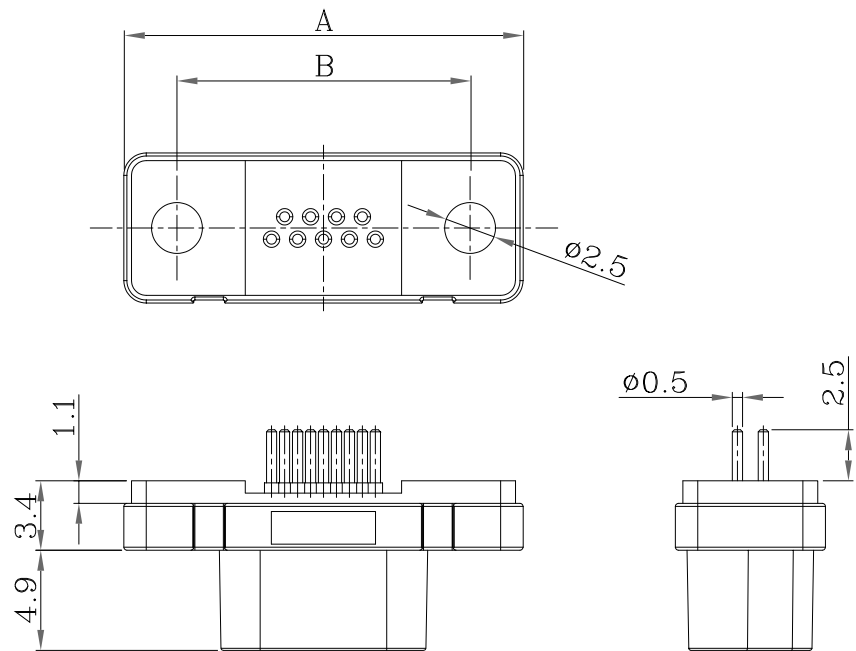
INSULATOR: LCP, UL94 V-0, BLACK  
 CONTACTS: 15µ" GOLD PLATED BRASS  
 SHELL: NICKEL PLATED ZINC ALLOY 60µ"-100µ"

**ELECTRICAL:**

RATED CURRENT: 2A  
 RATED VOLTAGE: 60VDC  
 D.W.V.: 630 VAC for 1 min.  
 INSULATION RESISTANCE: 1000 MOhms MIN.  
 CONTACT RESISTANCE: 30 mOhms MAX.

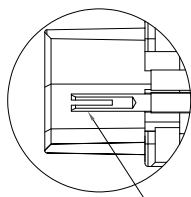
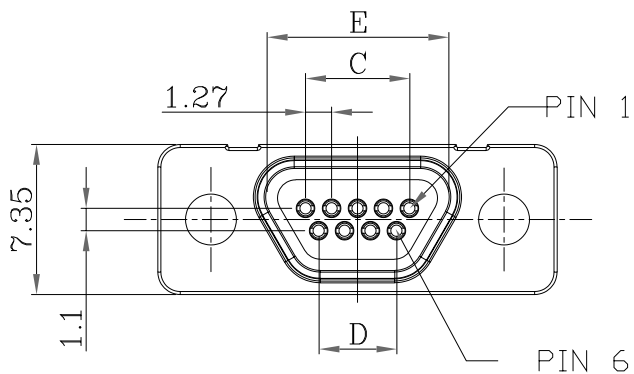
**ENVIRONMENT:**

OPERATING TEMPERATURE: -40°C TO +125°C  
 PROCESS TEMPERATURE: 260°C



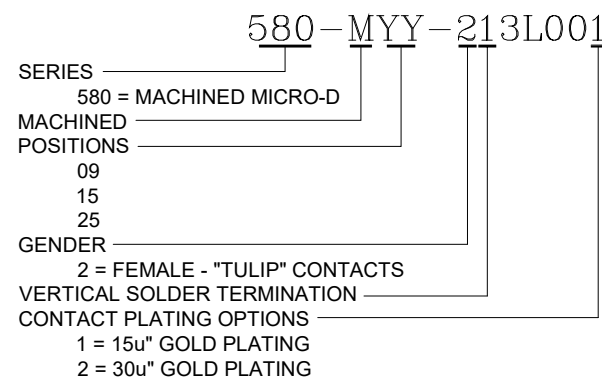
\*NOT DESIGNED TO MATE WITH NORCOMP 380 // 381 // 960 SERIES & NORCOMP MICRO-D CABLE ASSEMBLIES USING THE 960 SERIES CONNECTORS.  
 \*\*DESIGNED TO MATE WITHIN NORCOMP 58Y-M SERIES MICRO-D CONNECTORS

DIMENSIONS(mm)					
SIZE	A	B	C	D	E
9	19.55	14.35	5.08	3.81	8.70
15	23.36	18.20	8.89	7.62	12.40
25	29.70	24.55	15.24	13.97	19.00



EXPOSED TULIP CONTACT

USE ABOVE FRONT FACE DIMENSIONS FOR PCB LAYOUT DESIGN. Ø0.8mm HOLE SIZE IS RECOMMENDED.



**RoHS COMPLIANT**



THESE DRAWINGS AND SPECIFICATIONS ARE THE PROPERTY OF NorComp AND SHALL NOT BE REPRODUCED, COPIED OR USED AS THE BASIS FOR THE MANUFACTURE OR SALE OF APPARATUS WITHOUT WRITTEN PERMISSION.

DRAWN:

J. KADEL

DATE:

05/14/2020

TOLERANCES

.x ±0.20  
 .xx ±0.10  
 .xxx ±0.05  
 .xxxx ±0.03  
 ANGULAR ±1°

UNITS = mm

**DO NOT SCALE FROM DRAWING**

**NorComp**

SCALE:

NTS

SHEET

OF

1

1

REV

10

DWG NO.

580-MYY-213L001