

DESCRIPTION: MACHINED MICRO-D // VERTICAL SOLDER // MALE

SPECIFICATIONS:

MATERIALS:

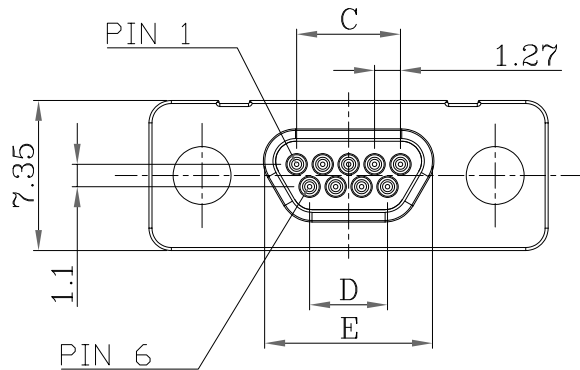
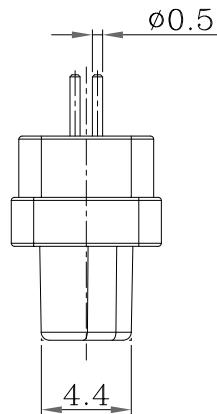
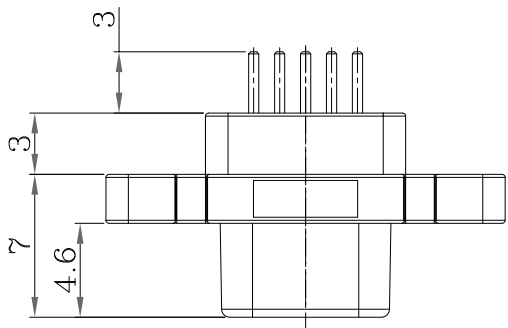
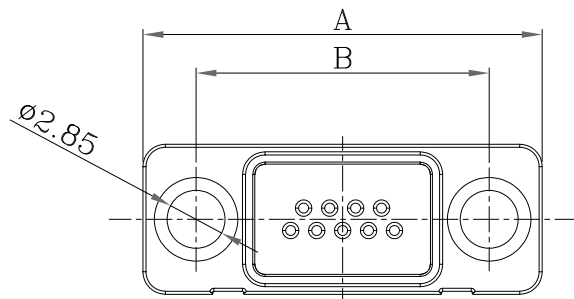
INSULATOR: LCP, UL94 V-0, BLACK
 CONTACTS: 15µ" GOLD PLATED BRASS
 SHELL: NICKEL PLATED ZINC ALLOY 60µ"-100µ"

ELECTRICAL:

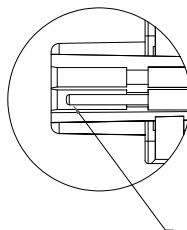
RATED CURRENT: 2A
 RATED VOLTAGE: 60VDC
 D.W.V.: 630 VAC for 1 min.
 INSULATION RESISTANCE: 1000 MOhms MIN.
 CONTACT RESISTANCE: 30 mOhms MAX.

ENVIRONMENT:

OPERATING TEMPERATURE: -40°C TO +125°C
 PROCESS TEMPERATURE: 260°C



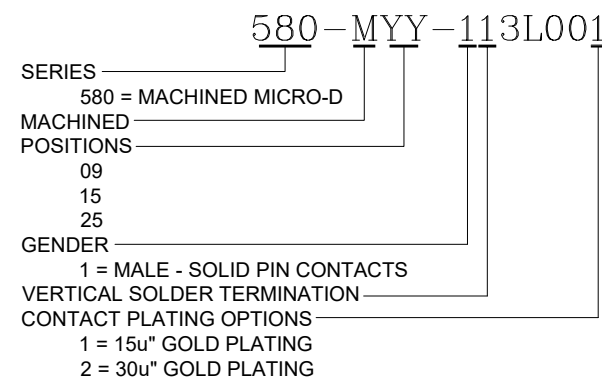
USE ABOVE FRONT FACE DIMENSIONS FOR PCB LAYOUT DESIGN. 0.8mm HOLE SIZE IS RECOMMENDED.



NESTED
PLUG
CONTACT

*NOT DESIGNED TO MATE WITH NORCOMP 380 // 381 // 960 SERIES & NORCOMP MICRO-D CABLE ASSEMBLIES USING THE 960 SERIES CONNECTORS.
 **DESIGNED TO MATE WITHIN NORCOMP 58Y-M SERIES MICRO-D CONNECTORS

DIMENSIONS(mm)					
SIZE	A	B	C	D	E
9	19.55	14.35	5.08	3.81	8.20
15	23.36	18.20	8.89	7.62	12.00
25	29.70	24.55	15.24	13.97	18.35



RoHS COMPLIANT



THESE DRAWINGS AND SPECIFICATIONS ARE THE PROPERTY OF NorComp AND SHALL NOT BE REPRODUCED, COPIED OR USED AS THE BASIS FOR THE MANUFACTURE OR SALE OF APPARATUS WITHOUT WRITTEN PERMISSION.

DRAWN:
J. KADEL

DATE:
05/14/2020

TOLERANCES
 .x ±0.20
 .xx ±0.10
 .xxx ±0.05
 .xxxx ±0.03
 ANGULAR ±1°

UNITS = mm

DO NOT SCALE FROM DRAWING

NorComp

SCALE: NTS SHEET 1 OF 1 REV 7

DWG NO. 580-MYY-113L001