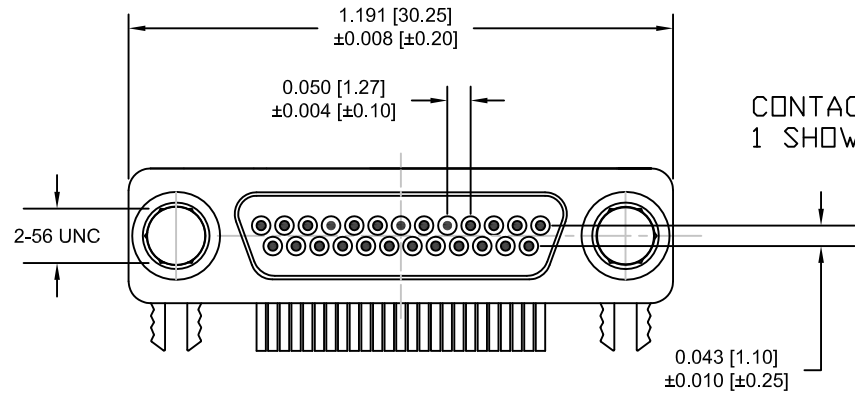
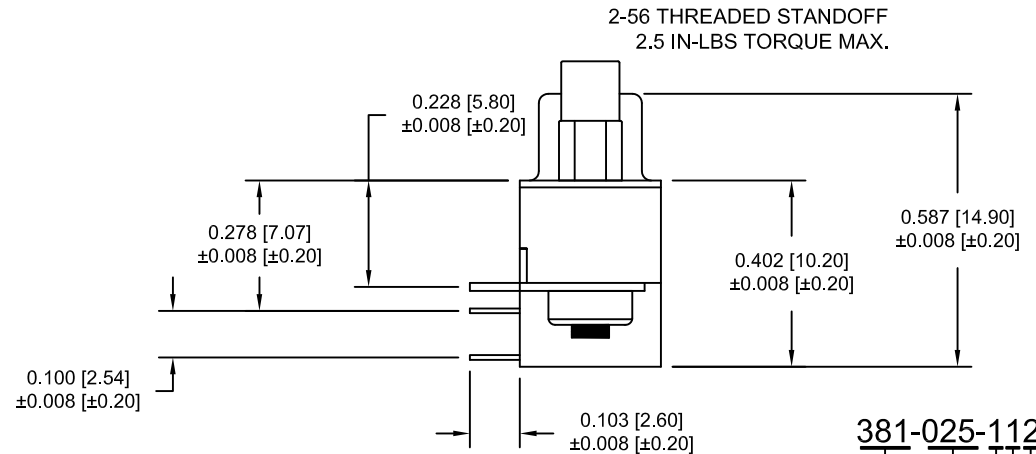
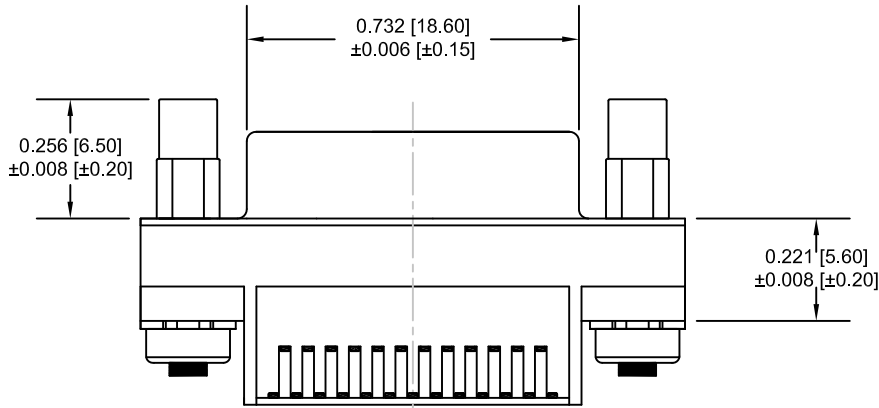
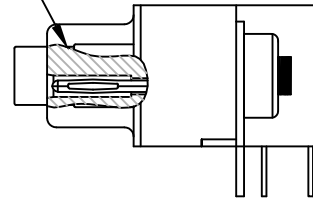


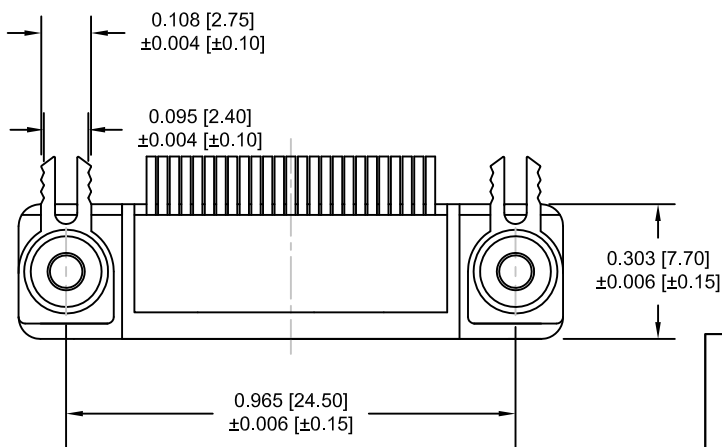
DESCRIPTION: MICRO D-SUB CONNECTOR - MALE - RIGHT ANGLE



CONTACTS  
1 SHOWN\*



2-56 THREADED STANDOFF  
2.5 IN-LBS TORQUE MAX.



**ELECTRICAL**

CONTACT CURRENT RATING: 1 AMP  
DIELECTRIC WITHSTANDING VOLTAGE: 500 VAC  
INSULATION RESISTANCE: 1000 MOhms MIN.  
CONTACT RESISTANCE: 45 MILLI Ohms MAX.  
OPERATING TEMPERATURE: -55°C TO +85°C

**MATERIALS**

CONTACTS: COPPER ALLOY  
INSULATOR: THERMOPLASTIC 94V-0  
SHELL: COLD ROLLER STEEL

**FINISHES**

CONTACT: 15 μ" MIN. GOLD ON MATING END  
TIN ON TERMINATION END  
ALL UNDERPLATING NICKEL  
SHELL: BRIGHT TIN OVER COPPER

**HARDWARE**

**381-025-112L5Y5**

- SERIES
- POSITIONS
- GENDER
- 1 = MALE
- TERMINATION
- 1 = DIP SOLDER
- SHELL PLATING
- 2 = TIN
- RoHS COMPLIANT
- HARDWARE OPTIONS
- 1 = BOARDLOCKS ONLY
- 6 = STANDOFFS & BOARDLOCKS
- PLATING OPTIONS
- 5 = 15u" GOLD PLATING

DO NOT SCALE FROM DRAWING



THESE DRAWINGS AND SPECIFICATIONS ARE THE PROPERTY OF NorComp AND SHALL NOT BE REPRODUCED, COPIED OR USED AS THE BASIS FOR THE MANUFACTURE OF SALE OF APPARATUS WITHOUT WRITTEN PERMISSION.

DRAWN: M. SIGMON

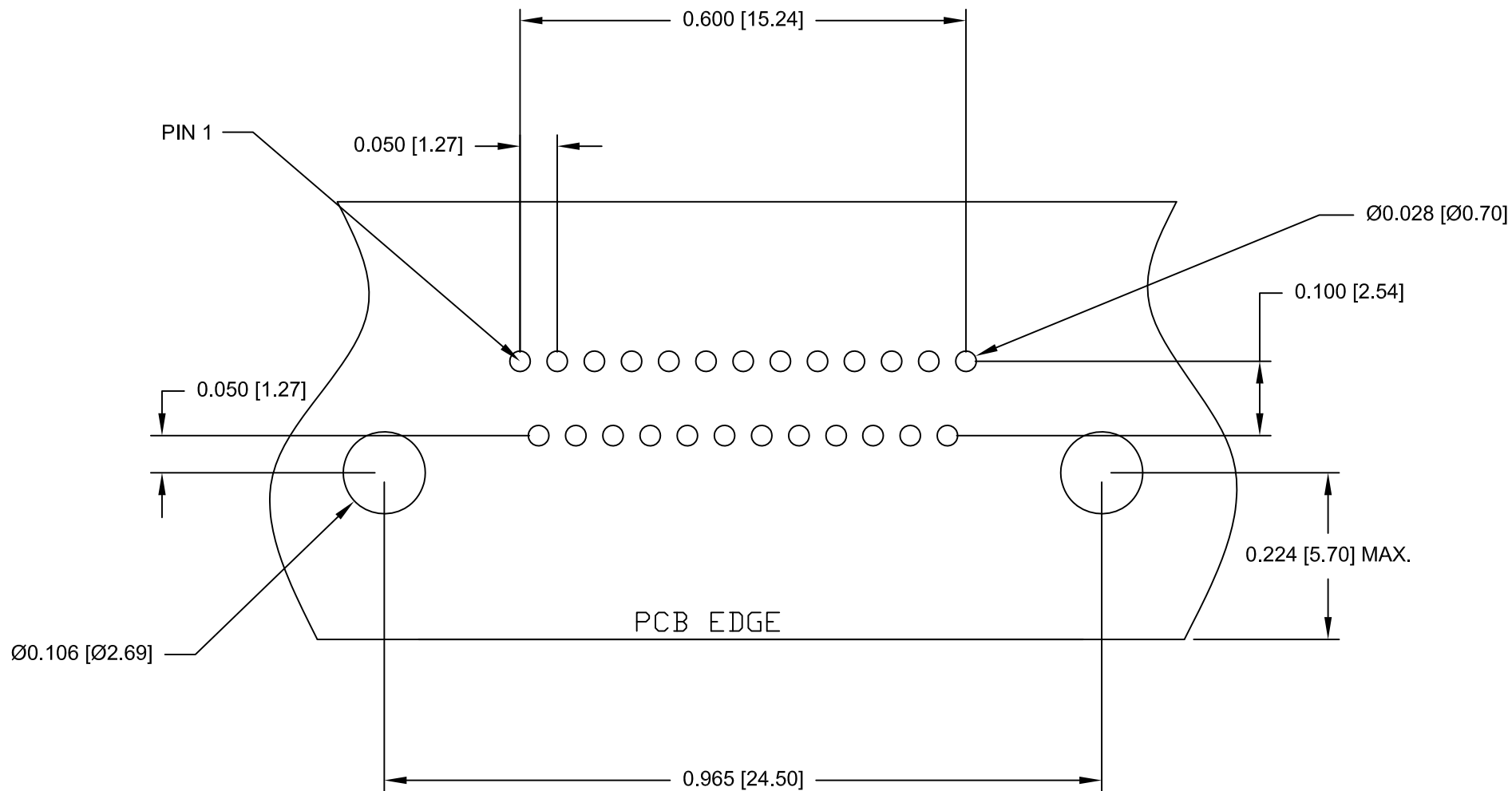
DATE: 08-22-11

**NorComp**

SCALE: NTS SHEET 1 OF 2 REV 3


DWG NO. 381-025-112L565

RoHS COMPLIANT



RECOMMENDED PC BOARD LAYOUT  
(25 POSITION ONLY) TOLERANCE  $\pm 0.002$  [ $\pm 0.05$ ]

DO NOT SCALE FROM DRAWING

	THESE DRAWINGS AND SPECIFICATIONS ARE THE PROPERTY OF NorComp AND SHALL NOT BE REPRODUCED, COPIED OR USED AS THE BASIS FOR THE MANUFACTURE OF SALE OF APPARATUS WITHOUT WRITTEN PERMISSION.		DRAWN: M. SIGMON	DATE: 08-22-11
	<h1>NorComp</h1>		SCALE: NTS	SHEET 2 OF 2
DWG NO. 381-025-112L565				

RoHS COMPLIANT