

4

3

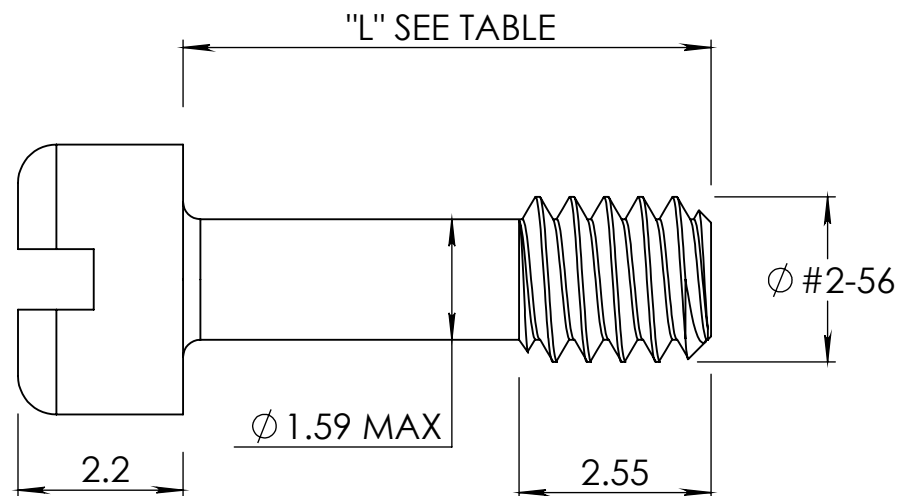
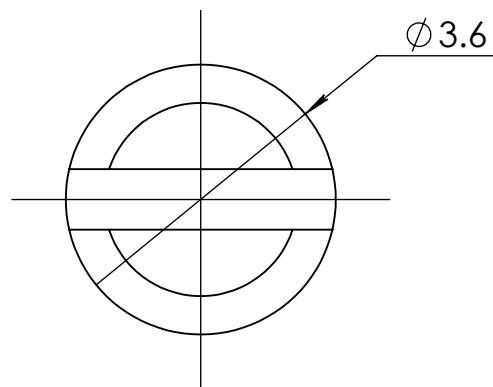
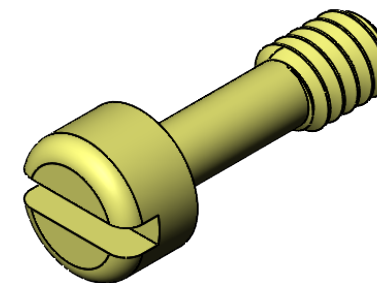
2

1

DESCRIPTION: 2-56 CAPTIVE SCREW // 580 SERIES MICRO D

MATERIAL:
100u" NICKEL PLATED BRASS

NORCOMP PN	L
160-580-SHCSCRW	4.00 MM
160-580-LGCSCRW	7.00 MM



RoHS COMPLIANT



THESE DRAWINGS AND SPECIFICATIONS ARE THE PROPERTY OF NorComp AND SHALL NOT BE REPRODUCED, COPIED OR USED AS THE BASIS FOR THE MANUFACTURE OR SALE OF APPARATUS WITHOUT WRITTEN PERMISSION.

ALL DIMENSION IN mm.
UNLESS OTHERWISE SPECIFIED

Drawn By: J. KADEL

DWG No. 160-580-YYCSCRW

Date: 06/23/2020

SCALE: NTS

SHEET 1 OF 1

REV: 1

4

3

2

1