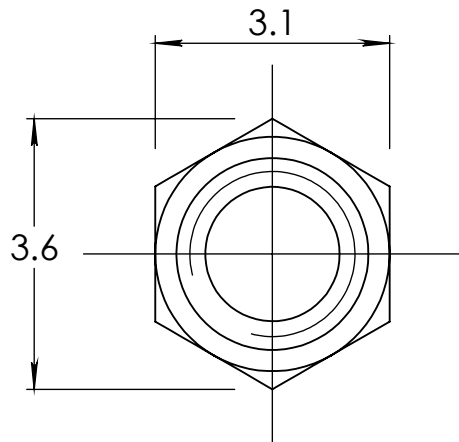
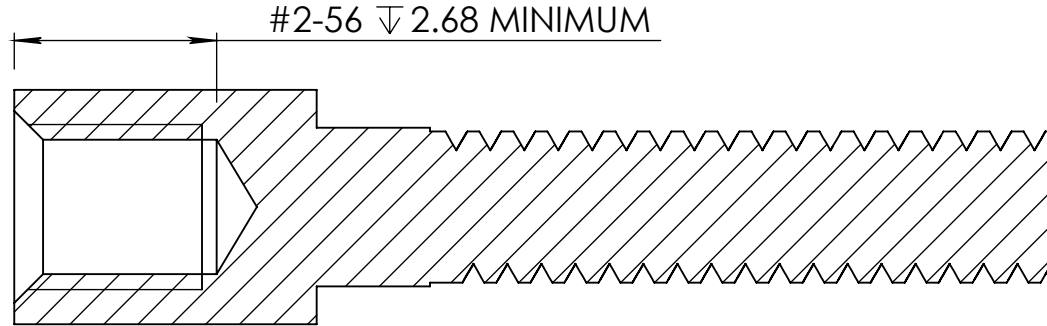
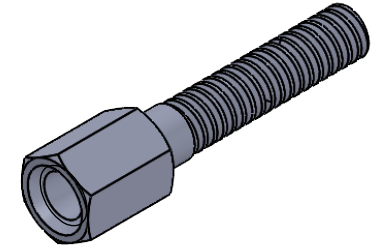
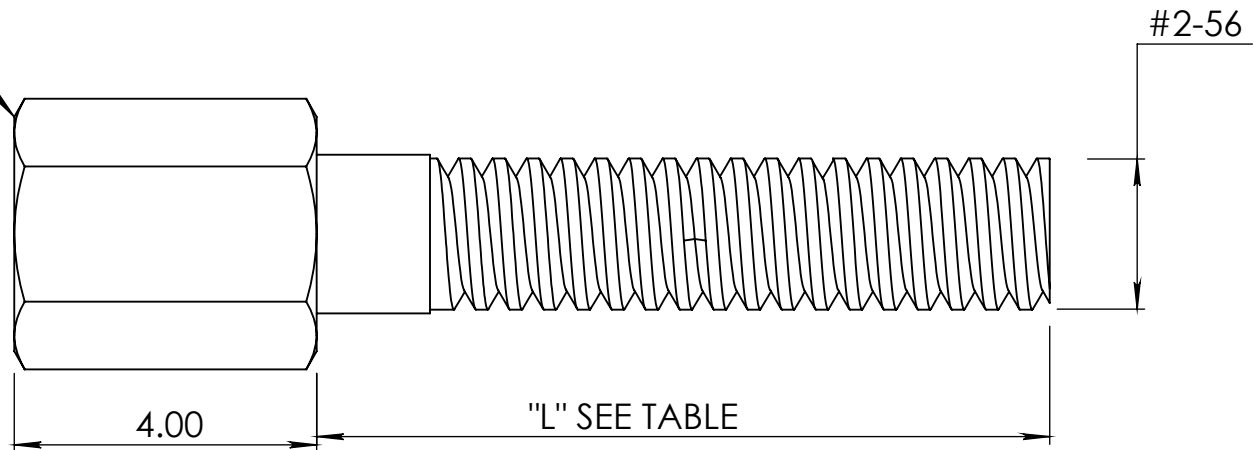


MATERIAL:  
100u" NICKEL PLATED BRASS

NORCOMP PN	L
160-580-7.5SCRW	7.50 MM
160-580-9.7SCRW	9.70 MM



CHAMFER  
EDGE



RoHS COMPLIANT



THESE DRAWINGS AND SPECIFICATIONS ARE THE PROPERTY OF NorComp AND SHALL NOT BE REPRODUCED, COPIED OR USED AS THE BASIS FOR THE MANUFACTURE OR SALE OF APPARATUS WITHOUT WRITTEN PERMISSION.

ALL DIMENSION IN mm.  
UNLESS OTHERWISE SPECIFIED

NorComp

DWG No. 160-580-Y.YSCRW

Drawn By: J. KADEL

Date: 06/23/2020

SCALE: NTS

SHEET 1 OF 1

REV: 0