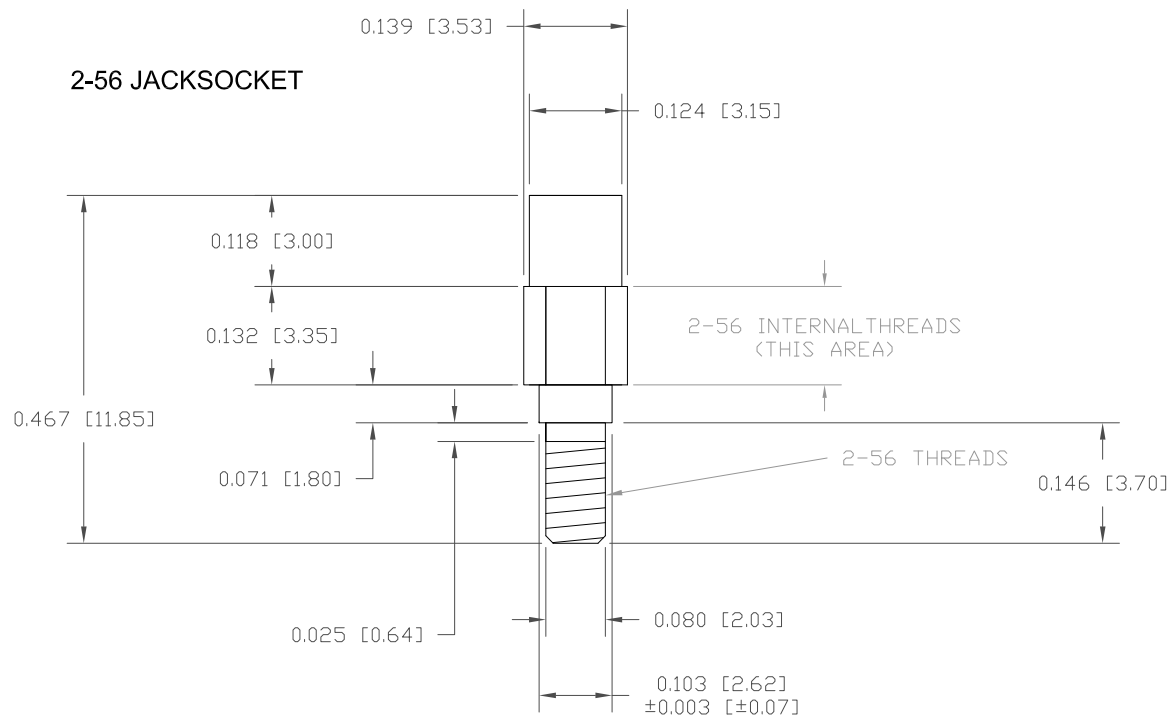
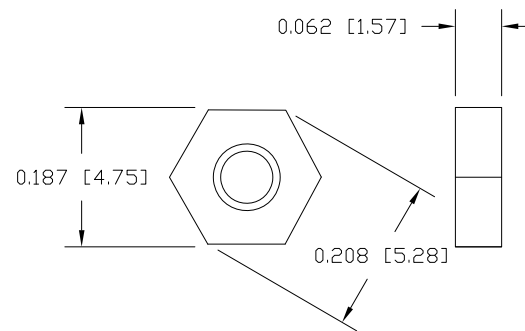


DESCRIPTION: MICRO-D HARWARE KIT - 2-56 THREAD

2-56 JACKSOCKET

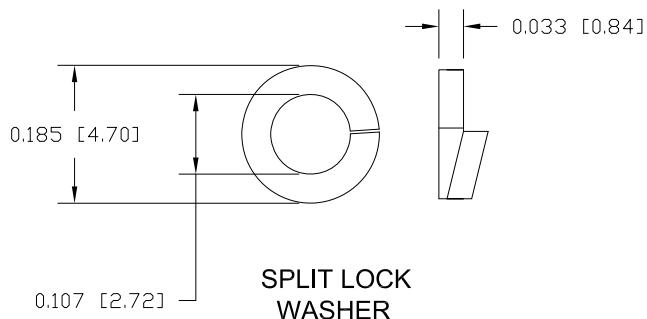


MATERIAL:  
 JACKSOCKETS: BRASS (3604)  
 NICKEL PLATED  
 SPLIT LOCK WASHER: STEEL  
 ZINC PLATED  
 2-56 NUT: STEEL  
 ZINC PLATED

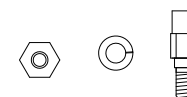


2-56 NUT

KIT INCLUDES:  
 (2) 2-56 JACKSOCKETS  
 (2) SPLIT LOCK WASHERS  
 (2) 2-56 NUTS



ACTUAL SIZE



DO NOT SCALE FROM DRAWING



THESE DRAWINGS AND SPECIFICATIONS ARE THE PROPERTY OF NorComp AND SHALL NOT BE REPRODUCED, COPIED OR USED AS THE BASIS FOR THE MANUFACTURE OF SALE OF APPARATUS WITHOUT WRITTEN PERMISSION.

DRAWN: M. SIGMON		DATE: 08-09-12	
SCALE: NTS	SHEET 1	OF 1	REV 3
DWG NO. 160-380-001R031			

RoHS COMPLIANT

NorComp