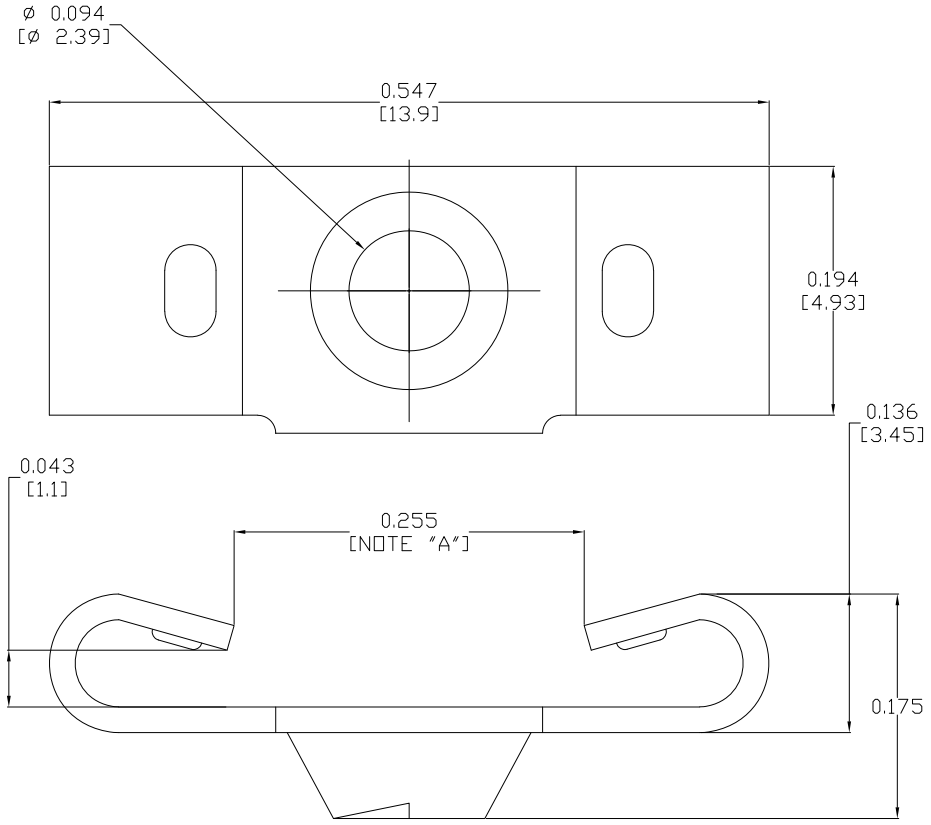


MATERIAL: STEEL, NICKEL PLATED



NOTE "A" - FLEXIBLE SPRING STEEL ALLOWS RETENTION FOR DIFFERENT CONNECTOR THICKNESS

RoHS COMPLIANT

TOLERANCE
 .X ±0.008
 .XX ±0.004
 .XXX ±0.002
 .XXXX±0.001
 ANGULAR ±1°

UNITS = inch [mm]

DO NOT SCALE FROM DRAWING

NC
 THESE DRAWINGS AND SPECIFICATIONS ARE THE PROPERTY OF NorComp AND SHALL NOT BE REPRODUCED, COPIED OR USED AS THE BASIS FOR THE MANUFACTURE OR SALE OF APPARATUS WITHOUT WRITTEN PERMISSION.

DRAWN:
A. JOYNER
 DATE:
08/25/2020

NorComp

SCALE: NTS	SHEET 1	OF 1	REV 0
DWG NO.		RSO1T	