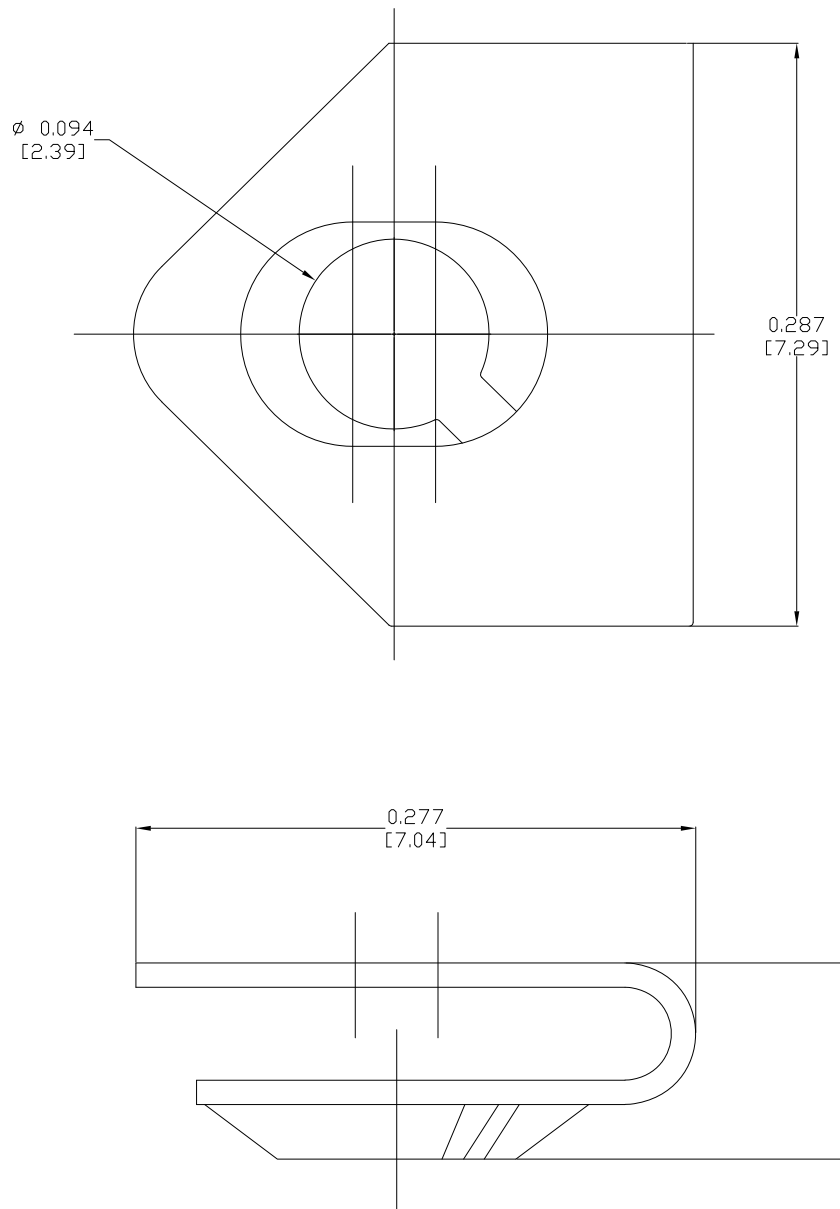


MATERIAL: STEEL, NICKEL PLATED



RoHS COMPLIANT



THESE DRAWINGS AND SPECIFICATIONS ARE THE PROPERTY OF NorComp AND SHALL NOT BE REPRODUCED, COPIED OR USED AS THE BASIS FOR THE MANUFACTURE OR SALE OF APPARATUS WITHOUT WRITTEN PERMISSION.

DRAWN:  
**A. JOYNER**

DATE:  
**08/25/2020**

TOLERANCE  
.X  $\pm 0.008$   
.XX  $\pm 0.004$   
.XXX  $\pm 0.002$   
.XXXX  $\pm 0.001$   
ANGULAR  $\pm 1^\circ$

UNITS = inch [mm]

**NorComp**

DO NOT SCALE FROM DRAWING

SCALE: NTS	SHEET 1	OF 1	REV 0
DWG NO.		RCO1T	