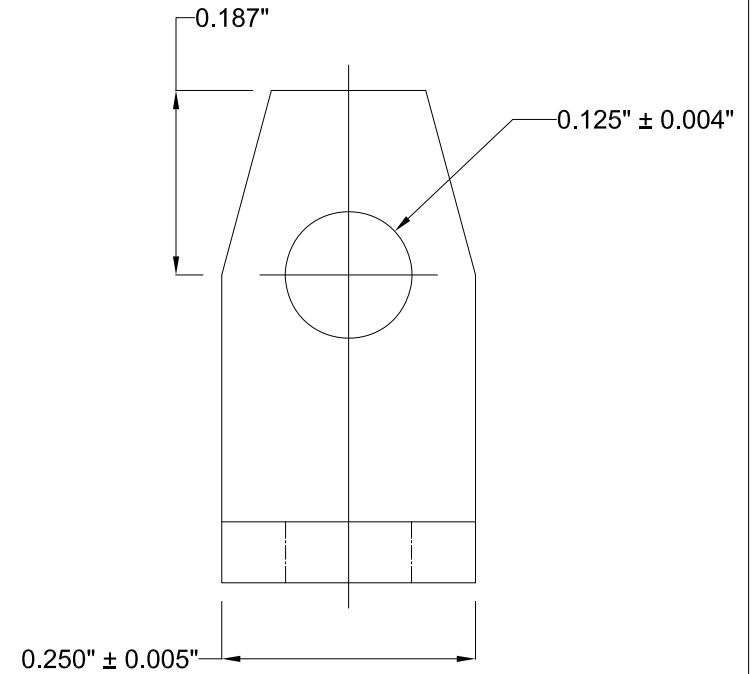
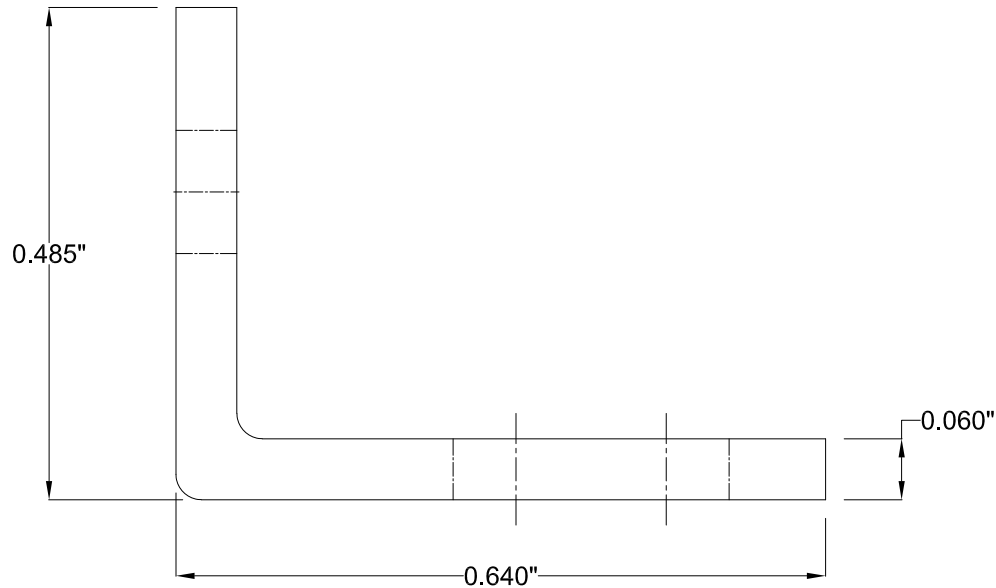
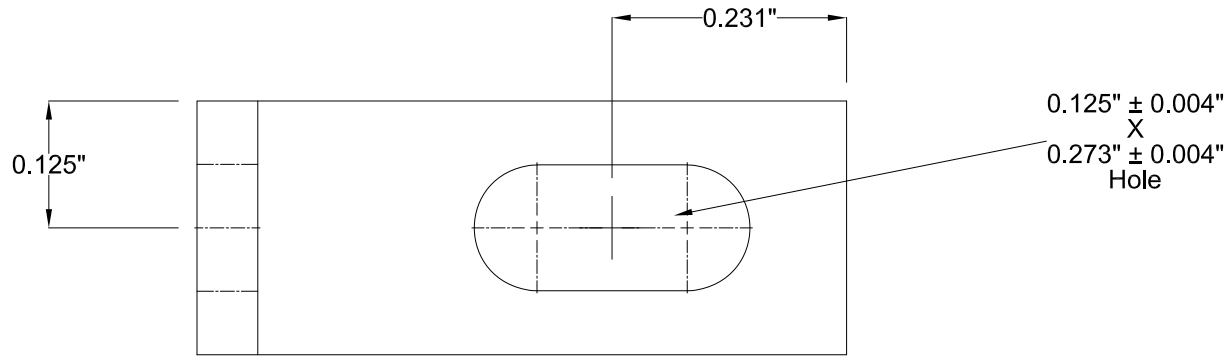


Material: Steel
Plating: Clear Zinc



NorComp

NOT TO SCALE

Tolerance
.XXX ±0.010"

Drawn: A. Joyner

DWG No. K501CZ

Rev0