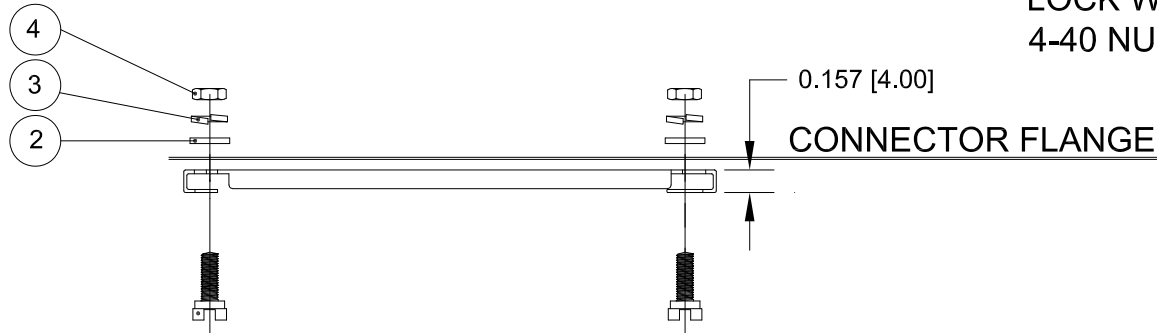
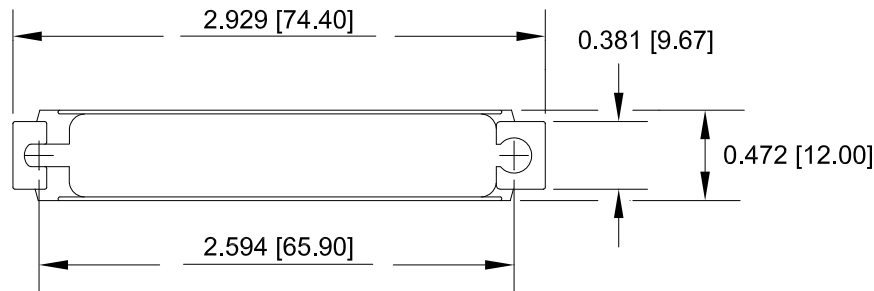


MATERIALS AND FINISH:

SLIDE LOCK BAR: STAINLESS STEEL
 MOUNTING SCREW: STEEL, NICKEL PLATED
 FLAT WASHER: STEEL, NICKEL PLATED
 LOCK WASHER: STEEL, NICKEL PLATED
 4-40 NUT: STEEL, NICKEL PLATED



KIT INCLUDES:
 (1X) SLIDE LOCK BAR
 (2X) #4-40 MOUNTING SCREW
 (2X) FLAT WASHERS
 (2X) LOCK WASHERS
 (2X) #4-40 NUTS



DIMENSIONS(inch)	
ITEM NO.	THICKNESS
2	0.020
3	0.031
4	0.062

RoHS COMPLIANT

UNITS = inch [mm]

DO NOT SCALE FROM DRAWING



THESE DRAWINGS AND SPECIFICATIONS ARE THE PROPERTY OF NorComp AND SHALL NOT BE REPRODUCED, COPIED OR USED AS THE BASIS FOR THE MANUFACTURE OR SALE OF APPARATUS WITHOUT WRITTEN PERMISSION.

DRAWN:
P. JENKINS
 DATE:
 04/30/2001

NorComp

SCALE: NTS	SHEET 1	OF 1	REV 3
DWG NO.		160-037-005R031	