

SPECIFICATIONS:

**MATERIALS:**

CONTACTS:

10µ" GOLD PLATED C3603 BRASS

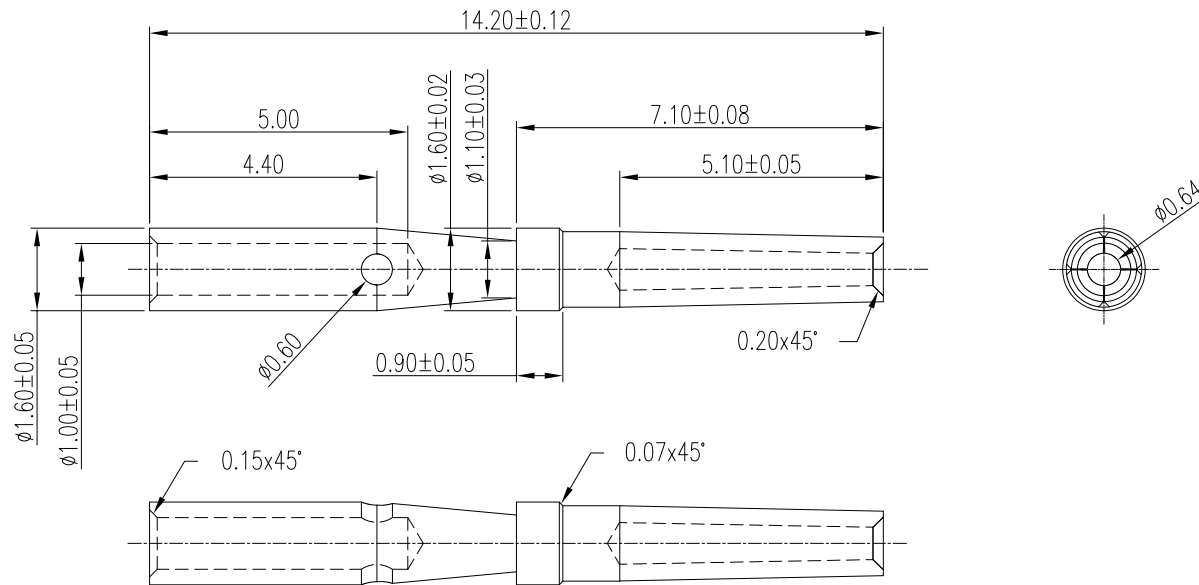
**ELECTRICAL:**

RATED CURRENT:

3A

WIRE AWG:

20-26



RoHS COMPLIANT

UNITS = mm

DO NOT SCALE FROM DRAWING



THESE DRAWINGS AND SPECIFICATIONS ARE THE PROPERTY OF NorComp AND SHALL NOT BE REPRODUCED, COPIED OR USED AS THE BASIS FOR THE MANUFACTURE OR SALE OF APPARATUS WITHOUT WRITTEN PERMISSION.

DRAWN:

J. KADEL

DATE:

07/22/2024

X. ±0.15  
 .X ±0.10  
 .XX ±0.08

NorComp

SCALE:

NTS

SHEET

OF

1

1

REV

0

DWG NO.

180-202-170L002