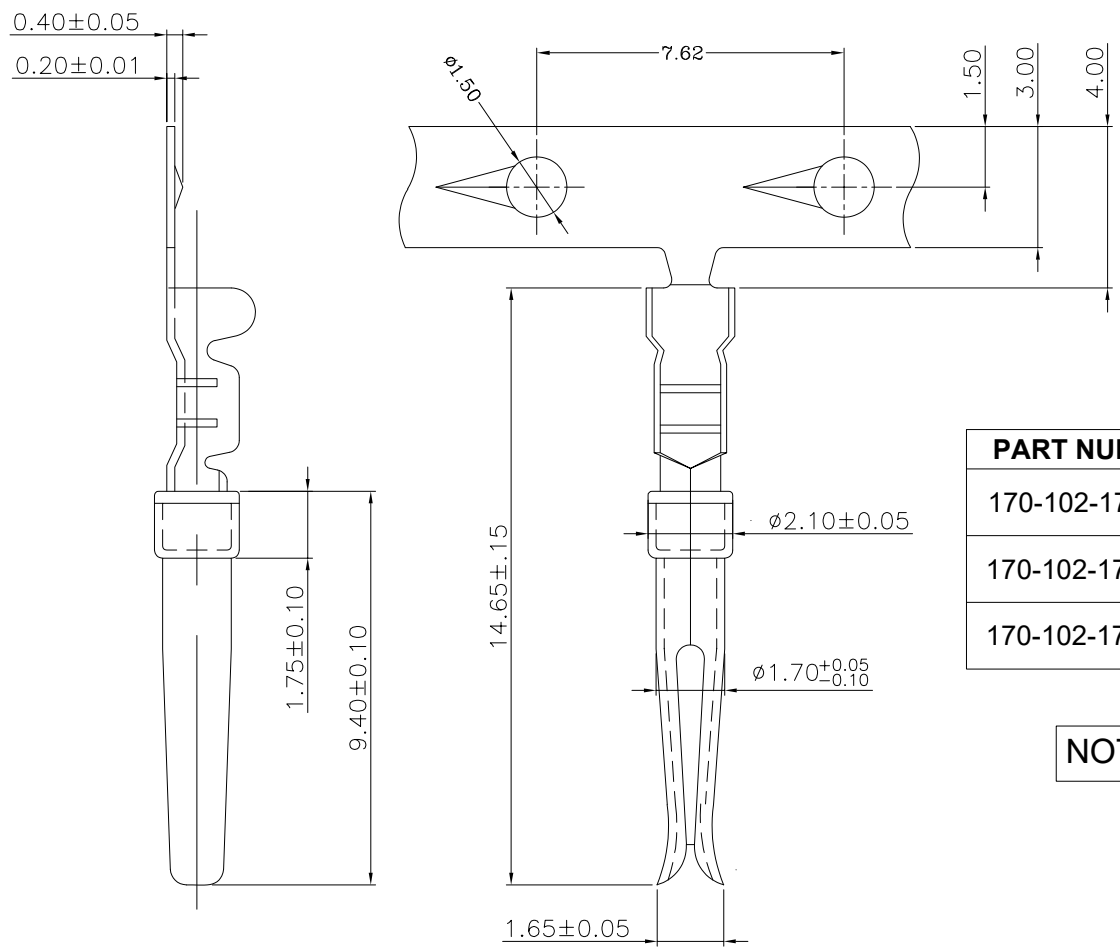


DESCRIPTION: FEMALE // D-SUB CRIMP CONTACT // LOOSE

SPECIFICATIONS:

MATERIALS:
 CONTACT: BRASS
 PLATING: SEE P/N TABLE BELOW
 AMPERAGE: 5A MAX



PART NUMBER	PLATING	WIRE AWG RANGE
170-102-170L001	GOLD FLASH ON MATING AREA // NICKEL ON WIRE CRIMP AREA	20-28 AWG
170-102-170L002	10 μ " GOLD OVER 50 μ " NICKEL ENTIRE CONTACT	20-28 AWG
170-102-170L003	30 μ " GOLD OVER 100 μ " NICKEL ENTIRE CONTACT	20-28 AWG

NOTE: CONTACTS SUPPLIED IN BAGS OF 500/pcs

NORCOMP CRIMP TOOL PART NUMBER => 170-701-170-000

RoHS COMPLIANT

UNITS = mm DO NOT SCALE FROM DRAWING

NC

THESE DRAWINGS AND SPECIFICATIONS ARE THE PROPERTY OF NorComp AND SHALL NOT BE REPRODUCED, COPIED OR USED AS THE BASIS FOR THE MANUFACTURE OR SALE OF APPARATUS WITHOUT WRITTEN PERMISSION.

DRAWN: PAM JENKINS
 DATE: 05/28/2002

NorComp

SCALE: NTS SHEET 1 OF 1 REV 6
 DWG NO. 170-102-170L00Y