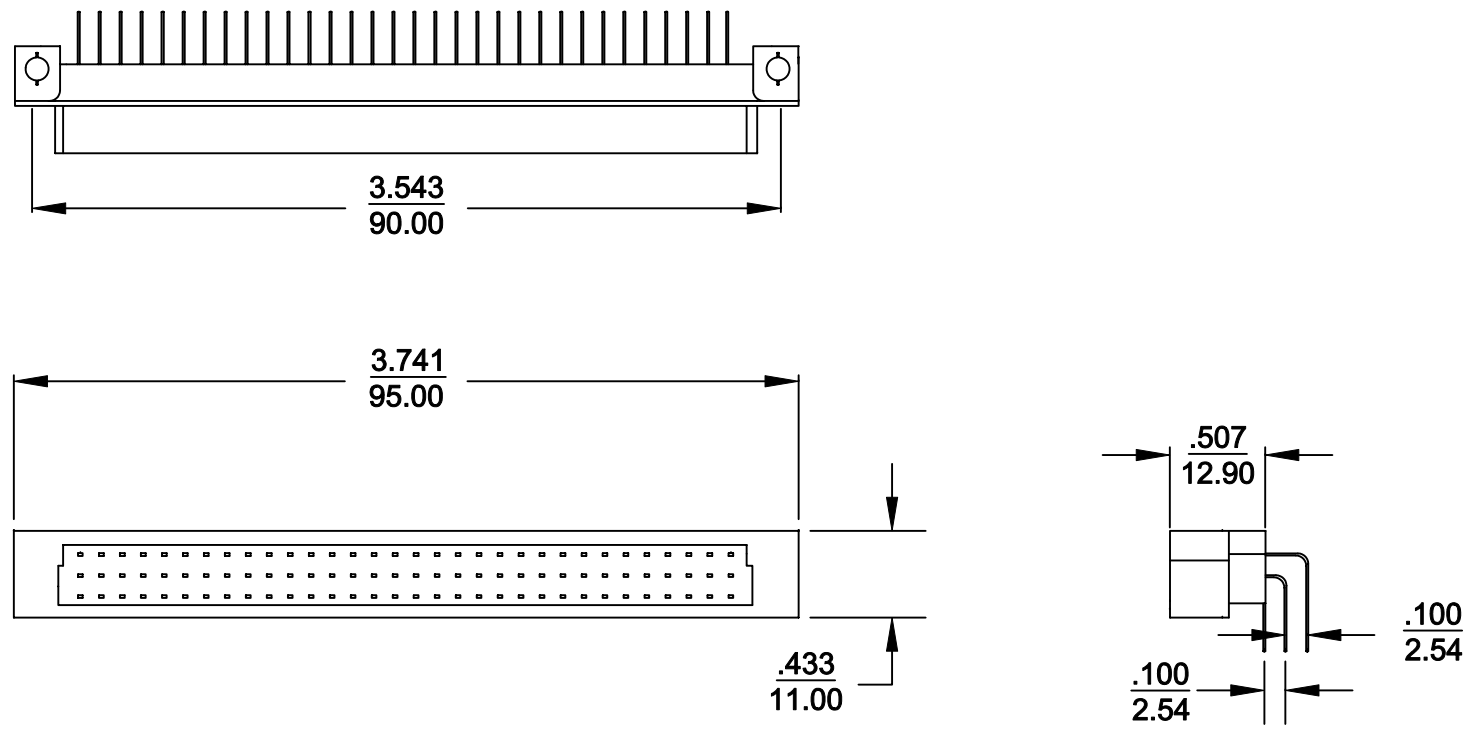


DESCRIPTION: 96 PIN DIN FEMALE RIGHT ANGLE DIP SOLDER




**Materials:**

Insulator: Glass-Filled PBT U.L. rated 94V-0 - 230°C PROCESS TEMP.  
 Contacts: Brass  
 RoHS COMPLIANT

**Electricals:**

Current Rating: 2 Amps  
 Dielectric Withstanding Voltage: AC 1000V for 1 minute  
 Insulator Resistance: 1000M Ohms min. at 500V DC  
 Contact Resistance: 30 m Ohms max. at 100mA DC  
 Operating Temperature: -55°C to + 105°C

	THESE DRAWINGS AND SPECIFICATIONS ARE THE PROPERTY OF NorComp AND SHALL NOT BE REPRODUCED, COPIED OR USED AS THE BASIS FOR THE MANUFACTURE OF SALE OF APPARATUS WITHOUT WRITTEN PERMISSION.		DRAWN: <b>WAYNE ROBBINS</b>	DATE: 10-19-98	
	<h1>NorComp</h1>			CHECKED:	DATE:
SCALE: 1:1				SHEET 1 OF 1	REV 0
DWG NO. 688-XXX-210R001					