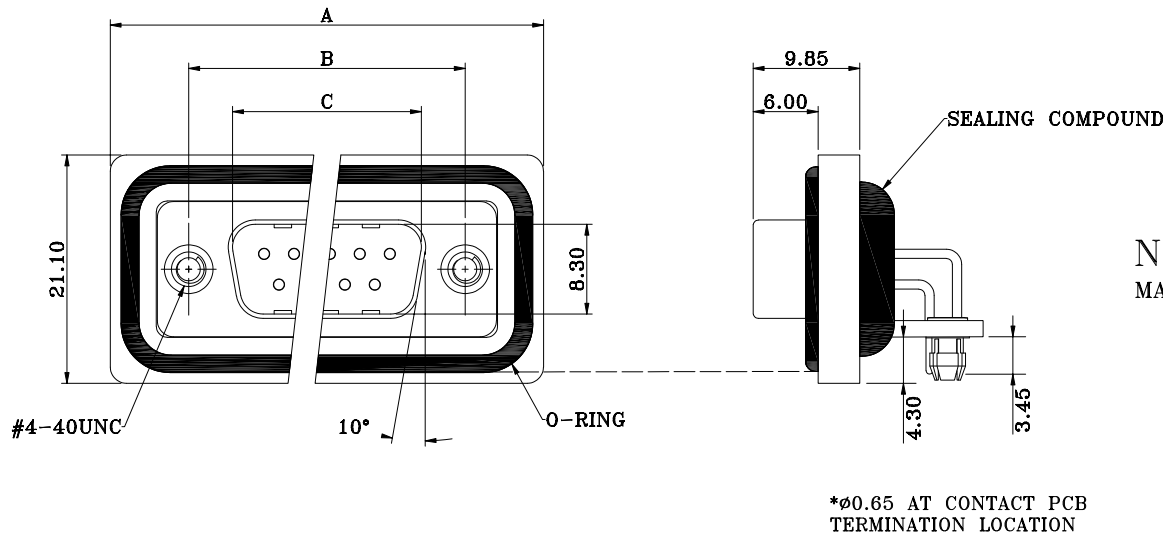


DESCRIPTION: DSUB IP67 FLANGE // MALE // STANDARD // RIGHT ANGLE PIN PCB MOUNT



DIMENSIONS(mm)			
SIZE	A	B	C
9	39.50	25.00	16.90
15	48.00	33.30	25.25
25	61.50	47.05	38.95
37	77.80	63.50	55.40

NOTE:

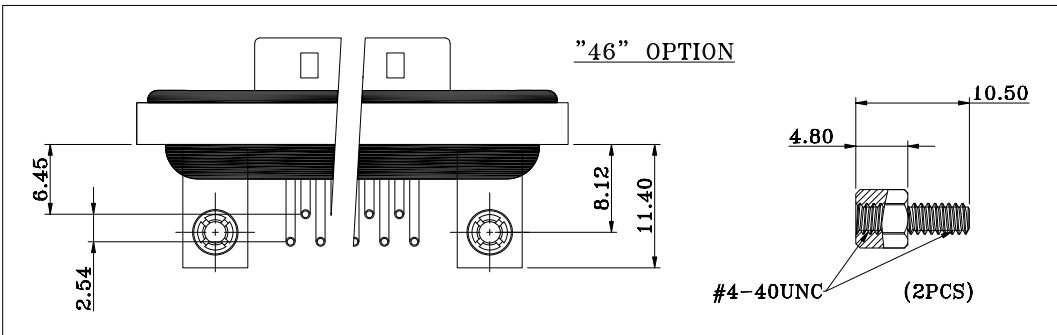
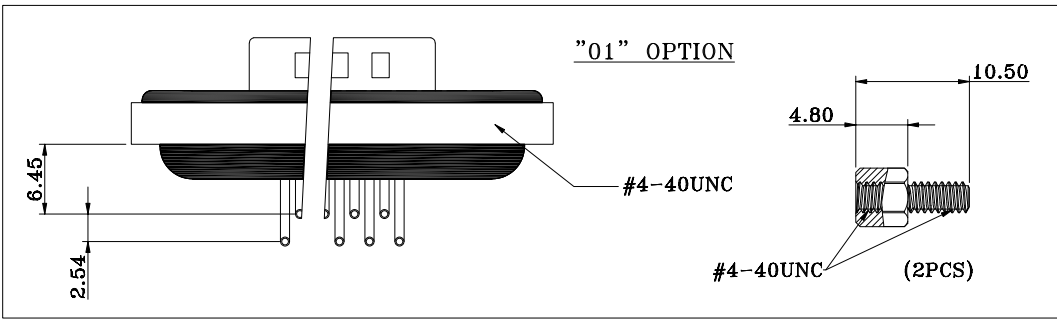
MATERIAL
 HOUSING PBT UL94V-0, BLACK
 FLANGE PBT UL94V-0, BLACK
 CONTACT BRASS, PLATING P/N KEY BELOW
 SHELL STEEL, NICKEL
 O-RING SILICONE
 SEALING COMPOUND EPOXY
 HARDWARE BRASS; NICKEL PLATED

ELECTRICAL

RATED CURRENT 5A
 VOLTAGE 1000 VAC 1 MIN
 INSULATOR RESISTANCE 5 Gohms MIN.
 CONTACT RESISTANCE 10 mOhms MAX.
 WATER PROOF IP67

ENVIRONMENT
 OPERATION TEMPERATURE -25°C TO +85°C

HARDWARE OPTIONS



SDF-RYY-113LYYY

SERIES _____
 SDF = STANDARD DSUB FLANGE

CONTACT TYPE _____
 R = RIGHT ANGLE PCB MOUNT

POSITIONS _____
 09
 15
 25
 37

GENDER _____
 1 = MALE

HARDWARE OPTIONS _____
 01 = 4-40 THREADED INSERTS/4-40 JACKSCREWS
 46 = 4-40 THREADED BRACKETS & BOARD LOCKS/4-40 JACKSCREWS

CONTACT PLATING OPTIONS _____
 1 = GOLD FLASH
 2 = 30u" GOLD PLATING

RoHS COMPLIANT



THESE DRAWINGS AND SPECIFICATIONS ARE THE PROPERTY OF NorComp AND SHALL NOT BE REPRODUCED, COPIED OR USED AS THE BASIS FOR THE MANUFACTURE OR SALE OF APPARATUS WITHOUT WRITTEN PERMISSION.

DRAWN: J. KADEL
 DATE: 03/02/2020

TOLERANCES
 X. ±0.40
 .X ±0.30
 .XX ±0.20
 .XXX ±0.10

UNITS = mm

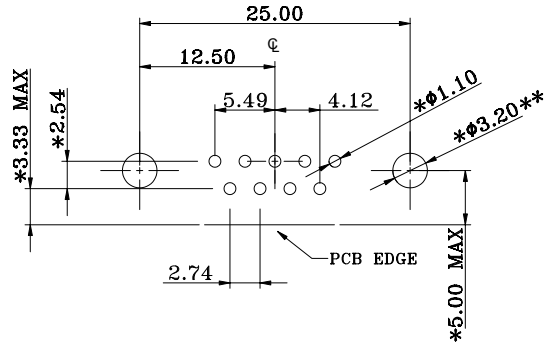
DO NOT SCALE FROM DRAWING



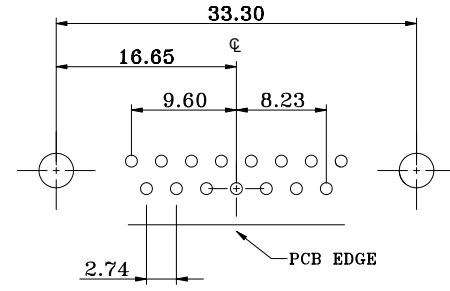
SCALE: NTS	SHEET 1 OF 2	REV 1
DWG NO. SDF-RYY-113LYYY		

** $\phi 3.20\text{MM}$ HOLES NOT NEEDED FOR "01" HARDWARE OPTION

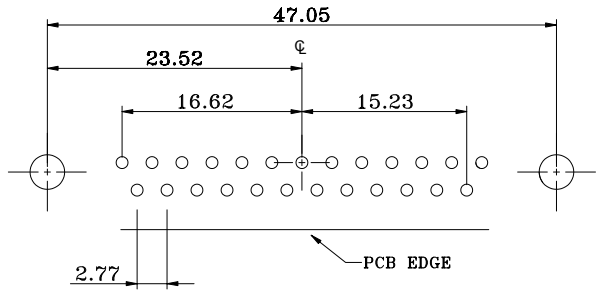
09 POSITION



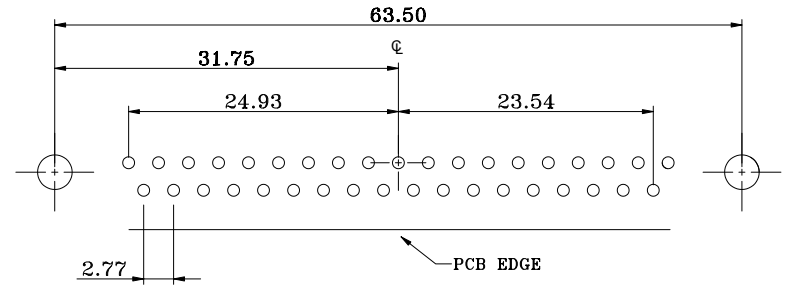
15 POSITION



25 POSITION



37 POSITION



RECOMMENDED PCB LAYOUT

*TYPICAL // **HOLE SIZE MAY NOT BE SUITABLE FOR YOUR SPECIFIC APPLICATION

RoHS COMPLIANT



THESE DRAWINGS AND SPECIFICATIONS ARE THE PROPERTY OF NorComp AND SHALL NOT BE REPRODUCED, COPIED OR USED AS THE BASIS FOR THE MANUFACTURE OR SALE OF APPARATUS WITHOUT WRITTEN PERMISSION.

DRAWN:
J. KADEL
DATE:
03/02/2020

TOLERANCES
X. ± 0.40
.X ± 0.30
.XX ± 0.20
.XXX ± 0.10

UNITS = mm

DO NOT SCALE FROM DRAWING

NorComp

SCALE: NTS	SHEET 2	OF 2	REV 1
---------------	------------	---------	----------

DWG NO. SDF-RYY-113LYYY