

CONTACT ϕ AT TERMINATION SIDE
 SIGNAL CONTACTS = $\phi 0.65$
 20 AMP = $\phi 2.80$
 40 AMP = $\phi 3.75$

NOTE:

MATERIAL

- | | |
|------------------|------------------------------|
| HOUSING | PBT UL94V-0, BLACK |
| FLANGE | PBT UL94V-0, BLACK |
| CONTACT | BRASS, PLATING P/N KEY BELOW |
| SHELL | STEEL, NICKEL |
| O-RING | SILICONE |
| SEALING COMPOUND | EPOXY |
| HARDWARE | BRASS; NICKEL PLATED |

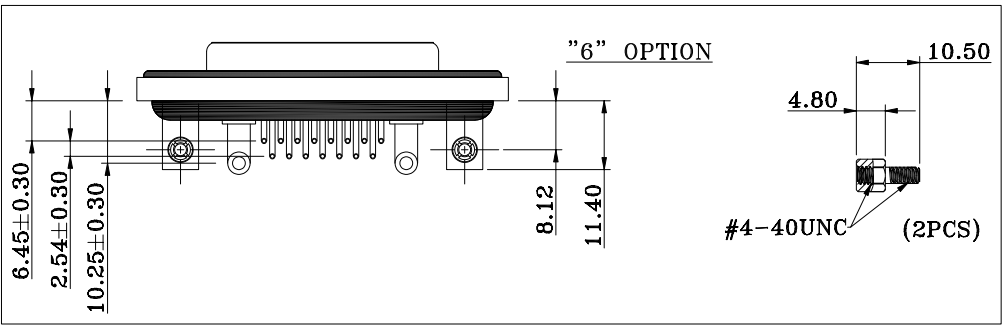
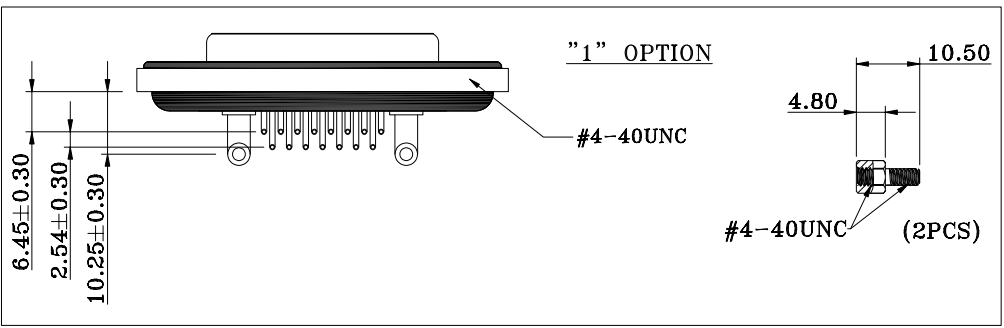
ELECTRICAL

- | | |
|------------------------------|----------------|
| SIGNAL CONTACT RATED CURRENT | 5A |
| POWER CONTACT RATED CURRENT | P/N KEY BELOW |
| VOLTAGE | 1000 VAC 1 MIN |
| INSULATOR RESISTANCE | 5 GOhms MIN. |
| SIGNAL CONTACT RESISTANCE | 10 mOhms MAX. |
| POWER CONTACT RESISTANCE | 2.0 mOhms MAX. |
| WATER PROOF | IP67 |

ENVIRONMENT

- | | |
|-----------------------|----------------|
| OPERATION TEMPERATURE | -25°C TO +85°C |
|-----------------------|----------------|

HARDWARE OPTIONS



CDFR17W2213LYYY

- SERIES _____
 CDF = COMBO DSUB FLANGE
 CONTACT TYPE _____
 R = RIGHT ANGLE PCB MOUNT
 POSITION _____
 17W2
 GENDER _____
 2 = FEMALE
 POWER CONTACT AMPERAGE _____
 2 = 20 AMPS
 4 = 40 AMPS
 HARDWARE OPTIONS _____
 1 = 4-40 THREADED INSERTS/4-40 JACKSCREWS
 6 = 4-40 THREADED BRACKETS &
 BOARD LOCKS/4-40 JACKSCREWS
 CONTACT PLATING OPTIONS _____
 1 = GOLD FLASH
 2 = 30u" GOLD PLATING

RoHS COMPLIANT



THESE DRAWINGS AND SPECIFICATIONS ARE THE PROPERTY OF NorComp AND SHALL NOT BE REPRODUCED, COPIED OR USED AS THE BASIS FOR THE MANUFACTURE OR SALE OF APPARATUS WITHOUT WRITTEN PERMISSION.

DRAWN: J. KADEL
 DATE: 04/28/2020

TOLERANCES
 X. ±0.40
 .X ±0.30
 .XX ±0.20
 .XXX ±0.10

UNITS = mm

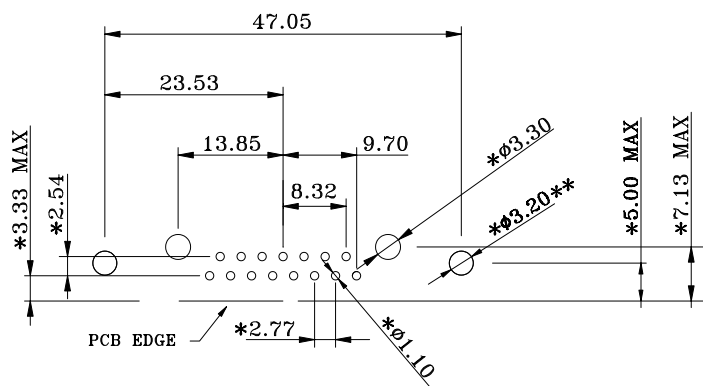
DO NOT SCALE FROM DRAWING



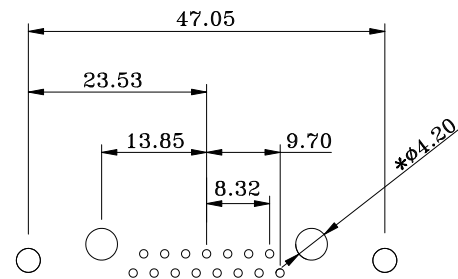
SCALE: NTS	SHEET 1 OF 2	REV 1
DWG NO. CDFR17W2213LYYY		

**** ϕ 3.20MM HOLES NOT NEEDED FOR "1" HARDWARE OPTION**

20 AMP CONFIGURATION



40 AMP CONFIGURATION



RECOMMENDED PCB LAYOUT

***TYPICAL // HOLE SIZE MAY NOT BE SUITABLE FOR YOUR SPECIFIC APPLICATION**

RoHS COMPLIANT



THESE DRAWINGS AND SPECIFICATIONS ARE THE PROPERTY OF NorComp AND SHALL NOT BE REPRODUCED, COPIED OR USED AS THE BASIS FOR THE MANUFACTURE OR SALE OF APPARATUS WITHOUT WRITTEN PERMISSION.

DRAWN:
J. KADEL
DATE:
04/28/2020

TOLERANCES
X. \pm 0.40
.X \pm 0.30
.XX \pm 0.20
.XXX \pm 0.10

UNITS = mm

DO NOT SCALE FROM DRAWING

NorComp

SCALE: NTS	SHEET 2	OF 2	REV 1
DWG NO. CDFR17W2213LYYY			