

CONTACT ϕ AT TERMINATION SIDE
 SIGNAL CONTACTS = $\phi 0.65$
 20 AMP = $\phi 2.80$
 40 AMP = $\phi 3.75$

NOTE:

MATERIAL

- HOUSING
- FLANGE
- CONTACT
- SHELL
- O-RING
- SEALING COMPOUND
- HARDWARE

- PBT UL94V-0, BLACK
- PBT UL94V-0, BLACK
- BRASS, PLATING P/N KEY BELOW
- STEEL, NICKEL
- SILICONE
- EPOXY
- BRASS; NICKEL PLATED

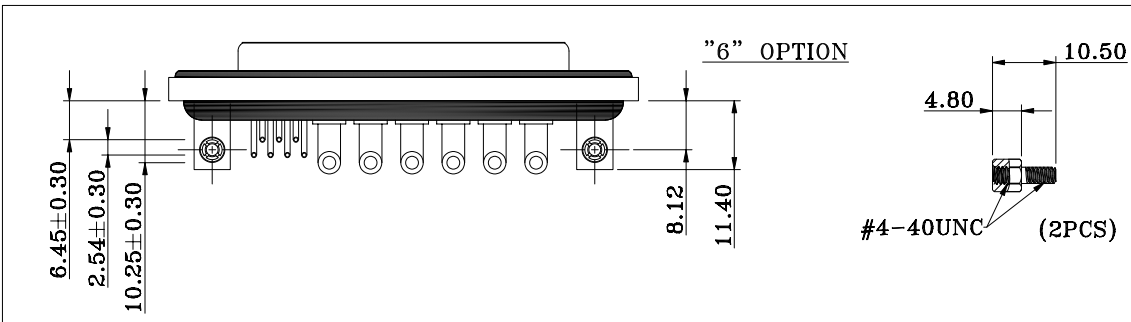
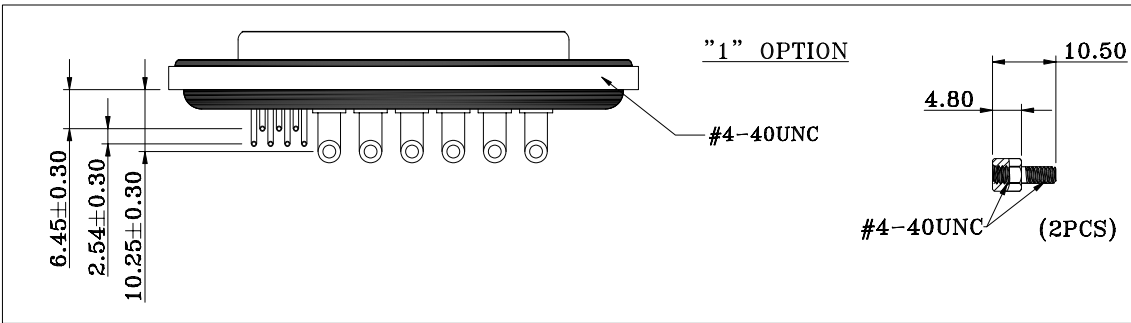
ELECTRICAL

- SIGNAL CONTACT RATED CURRENT 5A
- POWER CONTACT RATED CURRENT P/N KEY BELOW
- VOLTAGE 1000 VAC 1 MIN
- INSULATOR RESISTANCE 5 GOhms MIN.
- SIGNAL CONTACT RESISTANCE 10 mOhms MAX.
- POWER CONTACT RESISTANCE 2.0 mOhms MAX.
- WATER PROOF IP67

ENVIRONMENT

- OPERATION TEMPERATURE -25°C TO +85°C

HARDWARE OPTIONS



CDFR13W6213LYYY

- SERIES _____
- CDF = COMBO DSUB FLANGE
- CONTACT TYPE _____
- R = RIGHT ANGLE PCB MOUNT
- POSITION _____
- 13W6
- GENDER _____
- 2 = FEMALE
- POWER CONTACT AMPERAGE _____
- 2 = 20 AMPS
- 4 = 40 AMPS
- HARDWARE OPTIONS _____
- 1 = 4-40 THREADED INSERTS/4-40 JACKSCREWS
- 6 = 4-40 THREADED BRACKETS & BOARD LOCKS/4-40 JACKSCREWS
- CONTACT PLATING OPTIONS _____
- 1 = GOLD FLASH
- 2 = 30u" GOLD PLATING

RoHS COMPLIANT



THESE DRAWINGS AND SPECIFICATIONS ARE THE PROPERTY OF NorComp AND SHALL NOT BE REPRODUCED, COPIED OR USED AS THE BASIS FOR THE MANUFACTURE OR SALE OF APPARATUS WITHOUT WRITTEN PERMISSION.

DRAWN:
J. KADEL
DATE:
06/29/2020

TOLERANCES

- X. ±0.40
- .X ±0.30
- .XX ±0.20
- .XXX ±0.10

UNITS = mm

DO NOT SCALE FROM DRAWING

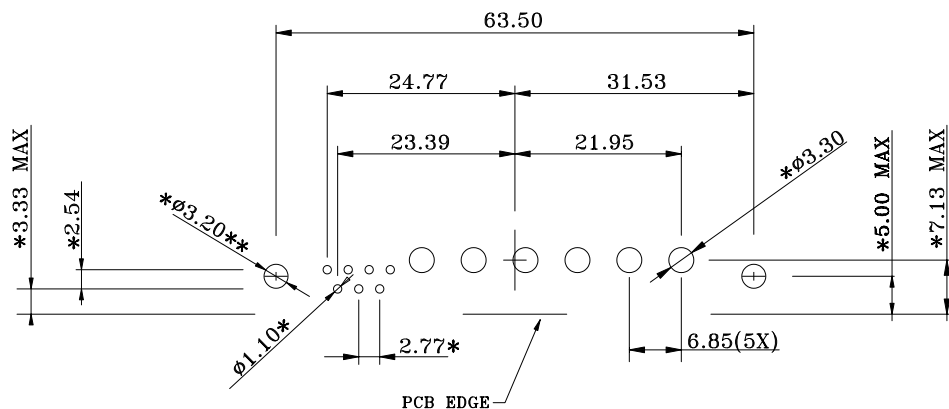


SCALE: NTS SHEET 1 OF 2 REV 1

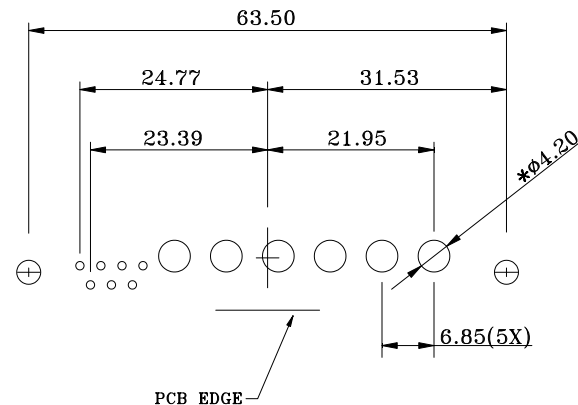
DWG NO. CDFR13W6213LYYY

**** ϕ 3.20MM HOLES NOT NEEDED FOR "1" HARDWARE OPTION**

20 AMP CONFIGURATION



40 AMP CONFIGURATION



RECOMMENDED PCB LAYOUT

***TYPICAL // HOLE SIZE MAY NOT BE SUITABLE FOR YOUR SPECIFIC APPLICATION**

RoHS COMPLIANT



THESE DRAWINGS AND SPECIFICATIONS ARE THE PROPERTY OF NorComp AND SHALL NOT BE REPRODUCED, COPIED OR USED AS THE BASIS FOR THE MANUFACTURE OR SALE OF APPARATUS WITHOUT WRITTEN PERMISSION.

DRAWN:
J. KADEL
DATE:
06/29/2020

TOLERANCES
X. \pm 0.40
.X \pm 0.30
.XX \pm 0.20
.XXX \pm 0.10

UNITS = mm

DO NOT SCALE FROM DRAWING

NorComp

SCALE: NTS	SHEET 2	OF 2	REV 1
DWG NO. CDFR13W6213LYYY			