

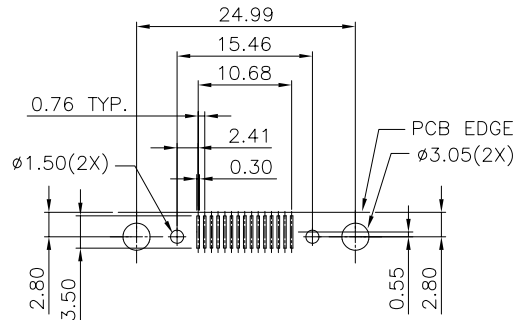
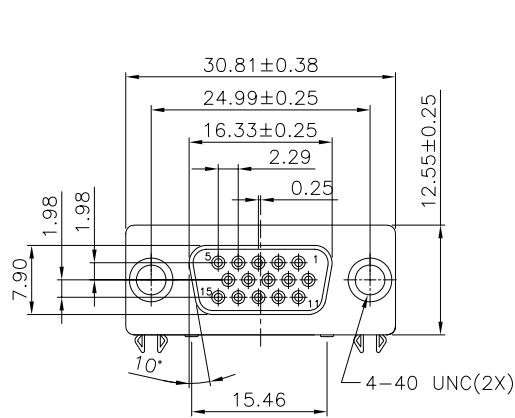
SPECIFICATIONS:

ELECTRICAL:

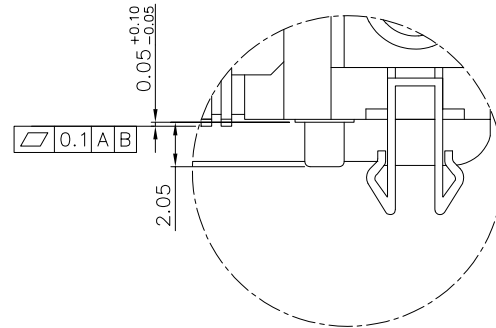
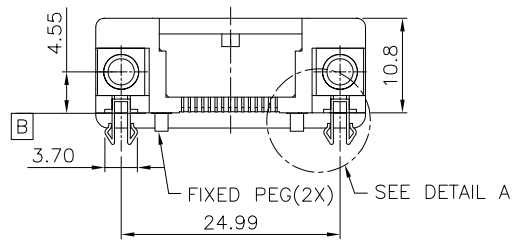
RATED CURRENT: 2A
 RATED VOLTAGE: 300VDC
 INSULATION RESISTANCE: 1,000 MΩ at 500VDC MIN
 CONTACT RESISTANCE: 13mOhms MAX
 DIELECTRIC STRENGTH: 1000VAC FOR 1 MIN
 OPERATING TEMPERATURE: -55°C TO +105°C

MATERIALS:

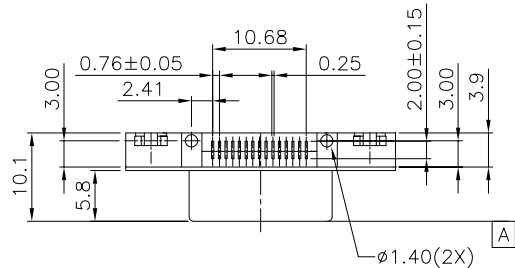
SHELL: 80μ" MIN NICKEL PLATED STEEL
 BRACKET: 80μ" MIN TIN OVER 50μ" MIN NICKEL PLATED BRASS
 INSULATOR: NYLON 6T, UL 94V-0, BLACK
 PROCESS TEMP: 260°C
 CONTACT: PHOSPHOR BRONZE
 1μ" MIN GOLD FLASH MATING AREA
 100μ" MIN TIN PLATED SOLDER AREA



PIN NUMBER:
 6 11 1 7 12 2 8 13 3 9 14 4 10 15 5
 RECOMMENDED PCB LAYOUT
 TOLERANCE: ±0.05(TOP VIEW)
 RECOMMENDED PCB THICKNESS: 1.60±0.05mm



DETAIL A
 SCALE 3:1



200-015-263RYY1

00 = STANDARD PACKAGING
 TR = TAPE AND REEL PACKAGING
 (DETAILS ON SUBSEQUENT PAGES)

RoHS COMPLIANT

UNITS = mm

DO NOT SCALE FROM DRAWING



THESE DRAWINGS AND SPECIFICATIONS ARE THE PROPERTY OF NorComp AND SHALL NOT BE REPRODUCED, COPIED OR USED AS THE BASIS FOR THE MANUFACTURE OR SALE OF APPARATUS WITHOUT WRITTEN PERMISSION.

DRAWN:

C. SMITH

X.X ±0.30

X.XX ±0.20

DATE:

03/27/2009

X.XXX ±0.10

ANGULAR ± 3 °

NorComp

SCALE:

NTS

SHEET

OF

1

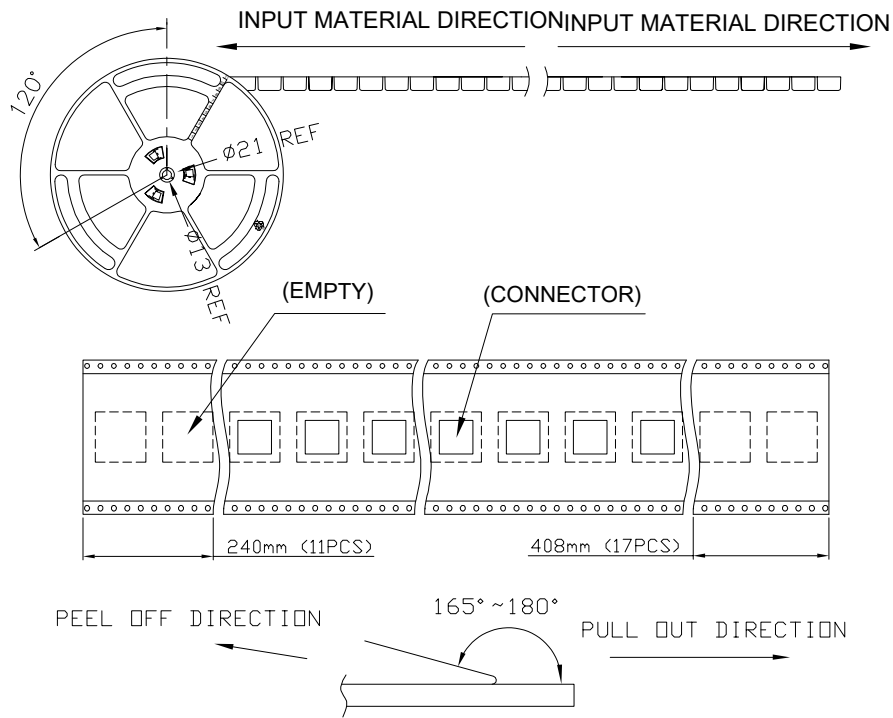
2

REV

18

DWG NO.

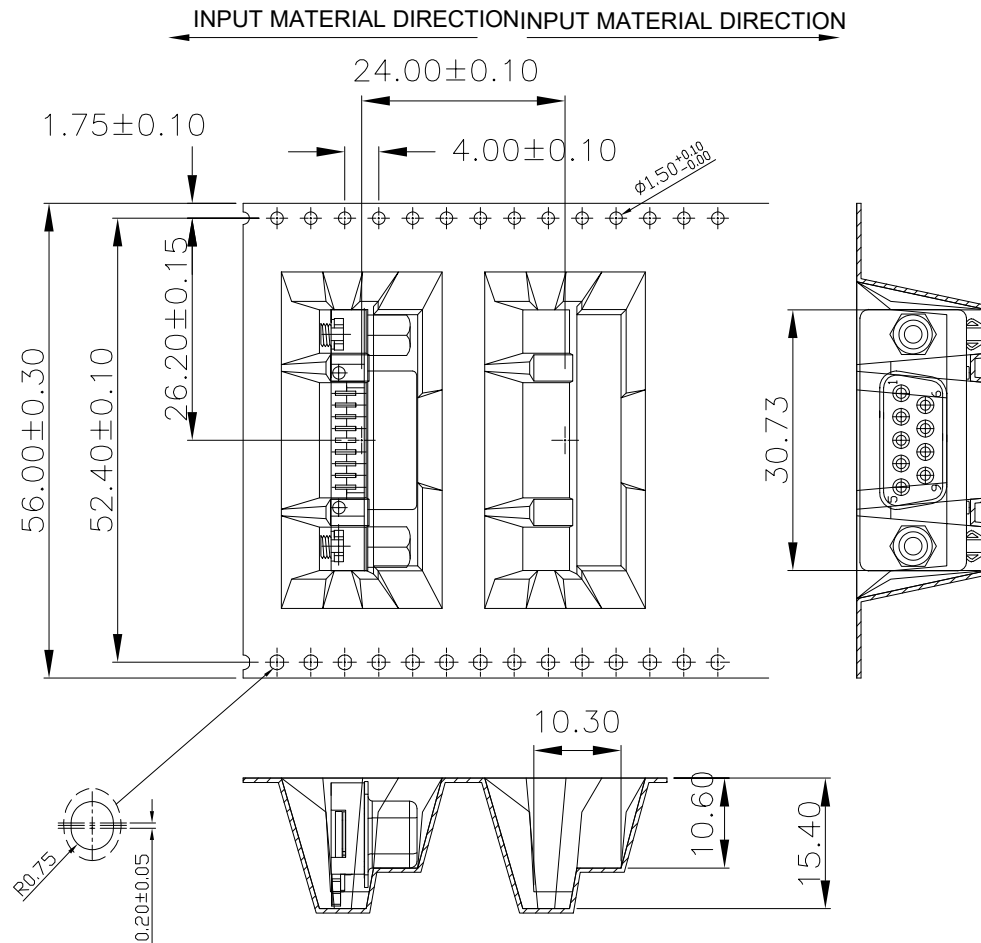
200-015-263R001



PEELING SPEED	300mm/MIN±10mm/MIN
FORCE	30g~130g

NOTES:

1. 10 sprocket hole pitch cumulative tolerance ± 0.20 .
2. Carrier camber is within 1 mm in 250 mm.
3. Material : Black Conductive Polystyrene Alloy.
4. All dimensions meet EIA-481-C requirements.
5. Thickness : 0.50 ± 0.05 mm.
6. Packing length per 13" reel : 4.4 Meters.
7. Component load per 13" reel : 150 pcs.



RoHS COMPLIANT



THESE DRAWINGS AND SPECIFICATIONS ARE THE PROPERTY OF NorComp AND SHALL NOT BE REPRODUCED, COPIED OR USED AS THE BASIS FOR THE MANUFACTURE OR SALE OF APPARATUS WITHOUT WRITTEN PERMISSION.

DRAWN:

C. SMITH

DATE:

03/27/2009

UNITS = mm

DO NOT SCALE FROM DRAWING

NorComp

SCALE:

NTS

SHEET

2

OF

2

REV

18

DWG NO.

200-015-263R001