

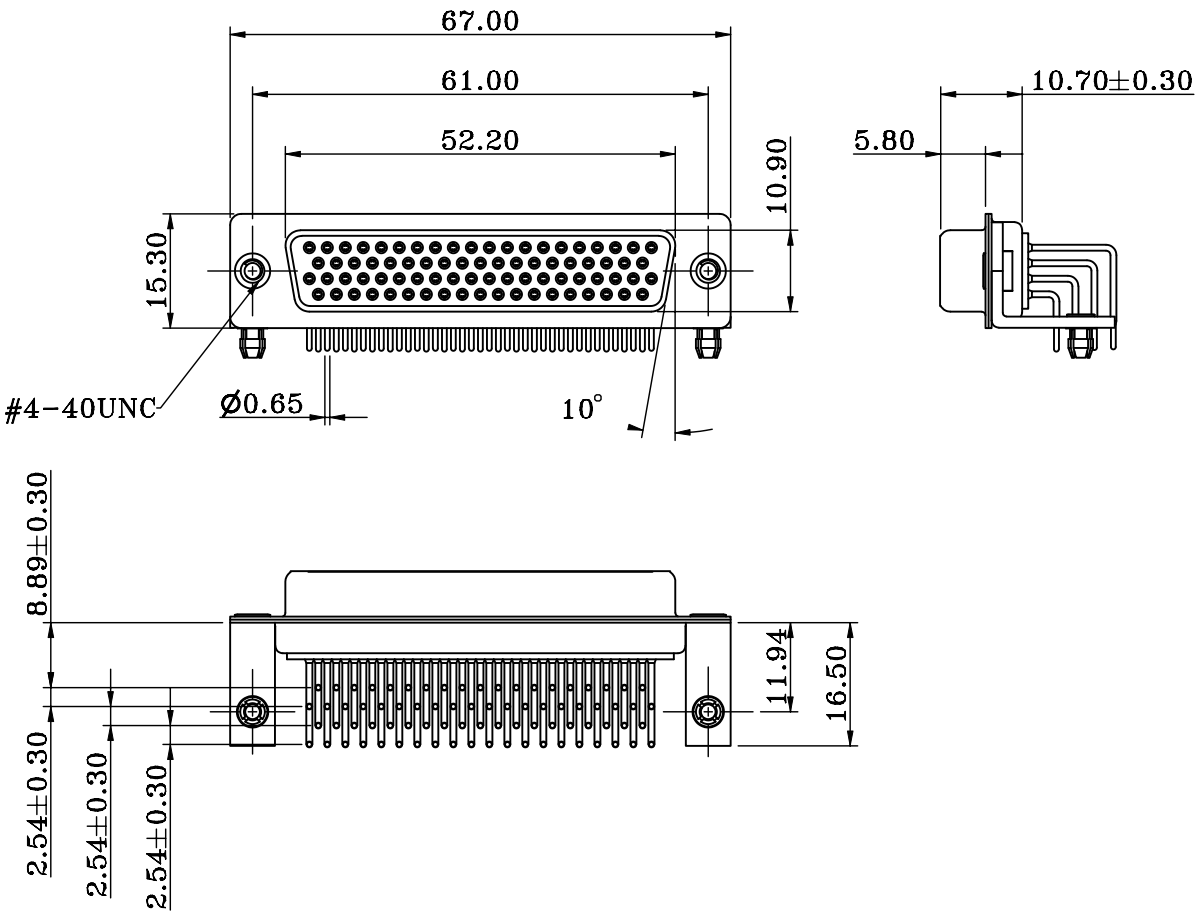
DESCRIPTION: HIGH DENSITY - MACHINED CONTACTS - RIGHT ANGLE - FEMALE

SPECIFICATIONS:

ELECTRICAL:
 INSULATION RESISTANCE: 5 GΩ MIN.
 DIELECTRIC WITHSTANDING VOLTAGE: 1000 VAC FOR 1 MIN
 OPERATING TEMPERATURE: -55°C TO +125°C
 CONTACT RESISTANCE: 10 mΩ MAX.
 CONTACT AMPERAGE: 3 AMPS

MATERIALS:
 CONTACTS: BRASS, SEE P/N KEY FOR PLATING
 INSULATOR: PA6T, UL94 V-0 RATED, BLACK
 260°C PROCESS TEMP.
 SHELL: NICKEL PLATED STEEL
 HARDWARE: ZINC PLATED STEEL

"14" BRACKET OPTION SHOWN BELOW



181-M78-213RYYY

SERIES _____
 MACHINED CONTACTS _____
 POSITIONS _____
 78 _____
 GENDER _____
 2 = FEMALE _____
 TERMINATION _____
 1 = RIGHT ANGLE _____
 SHELL PLATING _____
 3 = NICKEL _____
 HARDWARE OPTIONS _____
 00 = NO HARDWARE, Ø.120" HOLE _____
 14 = BRACKET WITH #4-40 INSERT, BOARD LOCK _____
 PLATING OPTIONS _____
 1 = GOLD FLASH, ENTIRE CONTACT _____
 2 = 30u" GOLD, ENTIRE CONTACT _____

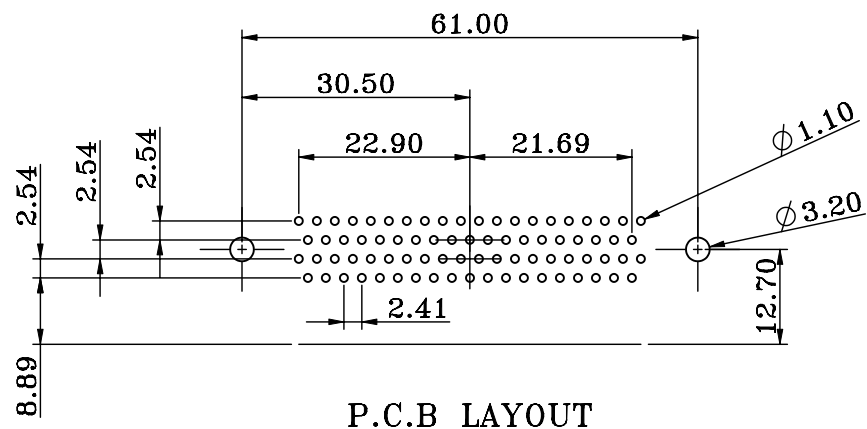
RoHS COMPLIANT

UNITS = mm

DO NOT SCALE FROM DRAWING

	THESE DRAWINGS AND SPECIFICATIONS ARE THE PROPERTY OF NorComp AND SHALL NOT BE REPRODUCED, COPIED OR USED AS THE BASIS FOR THE MANUFACTURE OR SALE OF APPARATUS WITHOUT WRITTEN PERMISSION.	DRAWN: J. KADEL
		DATE: 12/19/2022

	SCALE: NTS	SHEET OF 1 2	REV 1
	DWG NO. 181-M78-213RYYY		



RoHS COMPLIANT

UNITS = mm

DO NOT SCALE FROM DRAWING



THESE DRAWINGS AND SPECIFICATIONS ARE THE PROPERTY OF NorComp AND SHALL NOT BE REPRODUCED, COPIED OR USED AS THE BASIS FOR THE MANUFACTURE OR SALE OF APPARATUS WITHOUT WRITTEN PERMISSION.

DRAWN:

J. KADEL

DATE:

12/19/2022

NorComp

SCALE:

NTS

SHEET

OF

2

2

REV

1

DWG NO.

181-M78-213RYYY