

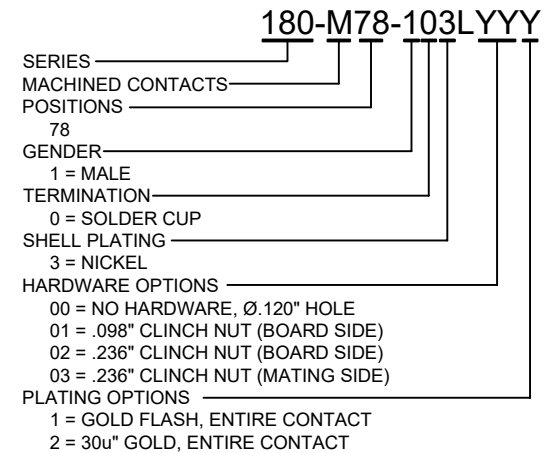
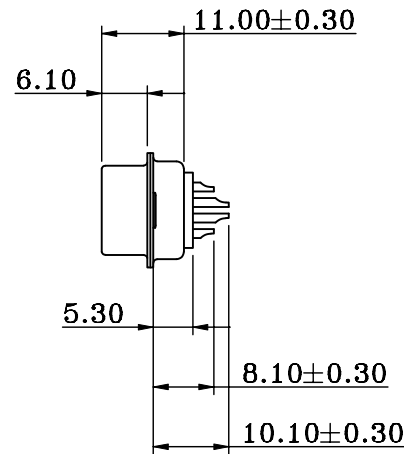
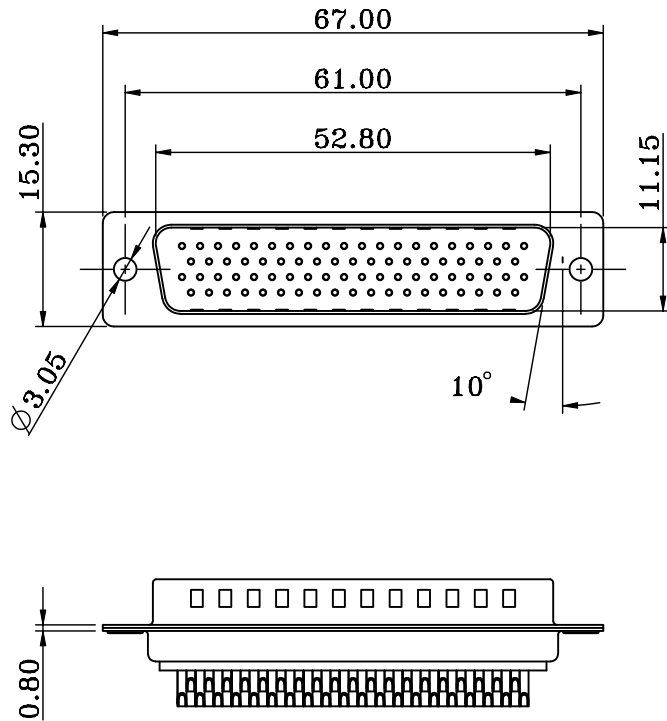
SPECIFICATIONS:

ELECTRICAL:

INSULATION RESISTANCE:	5 GΩ MIN.
DIELECTRIC WITHSTANDING VOLTAGE:	1000 VAC FOR 1 MIN
OPERATING TEMPERATURE:	-55°C TO +125°C
CONTACT RESISTANCE:	10 mΩ MAX.
CONTACT AMPERAGE:	3 AMPS

MATERIALS:

CONTACTS:	BRASS, SEE P/N KEY FOR PLATING
INSULATOR:	PBT, UL94 V-0 RATED, BLACK
SHELL:	NICKEL PLATED STEEL
HARDWARE:	NICKEL PLATED BRASS



ACCEPTS 28-24 AWG WIRE

RoHS COMPLIANT

UNITS = mm

DO NOT SCALE FROM DRAWING



THESE DRAWINGS AND SPECIFICATIONS ARE THE PROPERTY OF NorComp AND SHALL NOT BE REPRODUCED, COPIED OR USED AS THE BASIS FOR THE MANUFACTURE OR SALE OF APPARATUS WITHOUT WRITTEN PERMISSION.

DRAWN:

J. KADEL

DATE:

12/19/2022

NorComp

SCALE:
NTS

SHEET 1 OF 2

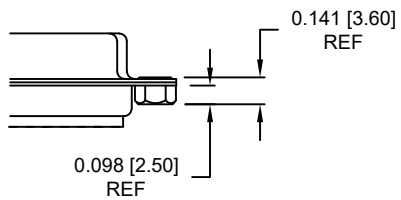
REV 0

DWG NO.

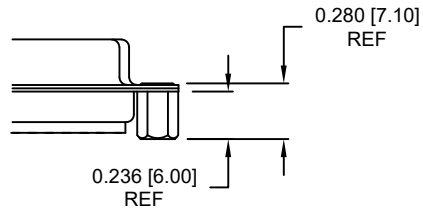
180-M78-103LYYY

ALL CLINCH-NUTS ARE 4-40 INTERNAL THREADS

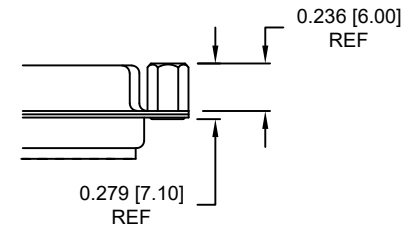
01 0.098" BOARD SIDE



02 0.236" BOARD SIDE



03..... 0.236" MATING SIDE



RoHS COMPLIANT

UNITS = inch [mm]

DO NOT SCALE FROM DRAWING



THESE DRAWINGS AND SPECIFICATIONS ARE THE PROPERTY OF NorComp AND SHALL NOT BE REPRODUCED, COPIED OR USED AS THE BASIS FOR THE MANUFACTURE OR SALE OF APPARATUS WITHOUT WRITTEN PERMISSION.

DRAWN:

J. KADEL

DATE:

12/19/2022

NorComp

SCALE:

NTS

SHEET

OF

2

2

REV

0

DWG NO.

180-M78-103LYYY