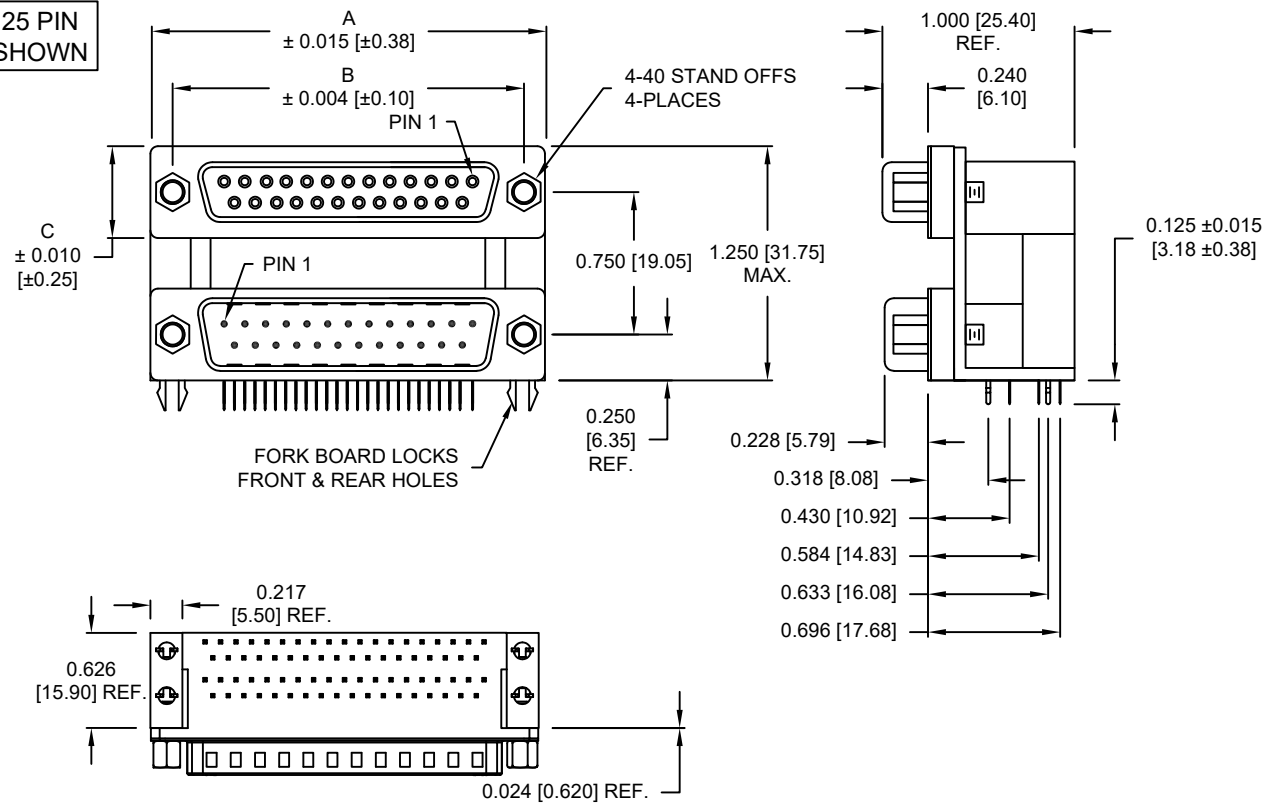


DESCRIPTION: 0.750 CENTER DUAL PORT D-SUB - FEMALE OVER MALE

25 PIN  
SHOWN



**SPECIFICATIONS:**

**MATERIALS:**

HOUSING: UL 94V-0 RATED, BLACK PA9T, 260° PROCESS TEMP.

CONTACTS: GOLD PLATED BRASS (SEE P/N KEY BELOW)

SHELL: STEEL, NICKEL PLATED

**ELECTRICAL:**

RATED CURRENT: 5A

INSULATOR RESISTANCE: 1,000 Ohms MIN.

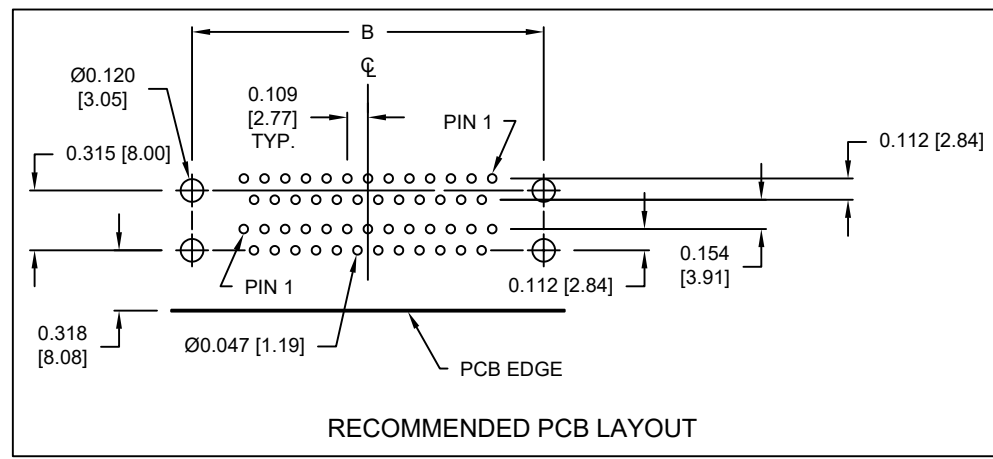
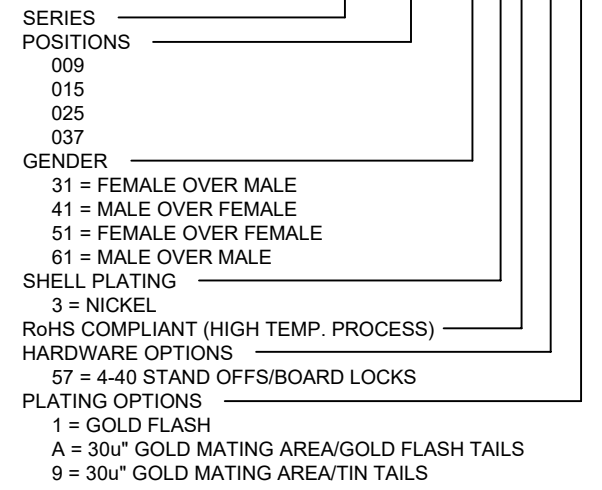
DIELECTRIC STRENGTH: 1,000 VAC RMS

OPERATING TEMPERATURE: -55°C TO +105°C

**DIMENSIONS (IN.)**

	9	15	25	37
A	1.204 [30.58]	1.535 [38.99]	2.078 [52.78]	2.724 [69.19]
B	0.984 [24.99]	1.312 [33.32]	1.850 [46.99]	2.500 [63.50]
C	0.494 [12.55]	0.494 [12.55]	0.494 [12.55]	0.494 [12.55]

178-YYY-313R571



RoHS COMPLIANT

UNITS = inch [mm]

DO NOT SCALE FROM DRAWING



THESE DRAWINGS AND SPECIFICATIONS ARE THE PROPERTY OF NorComp AND SHALL NOT BE REPRODUCED, COPIED OR USED AS THE BASIS FOR THE MANUFACTURE OR SALE OF APPARATUS WITHOUT WRITTEN PERMISSION.

DRAWN: C. SMITH

DATE: 3/30/07

NorComp

SCALE: NTS

SHEET 1 OF 1

REV 8

DWG NO. 178-YYY-313R571