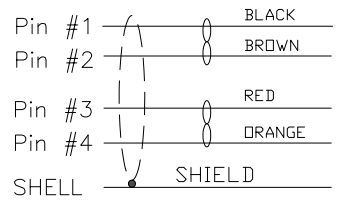


CONNECTOR 1

1. CONNECTOR 1: 854-004-203RLS4, MOLDED STRAIGHT HOOD, COLOR BLACK
2. WIRE: PVC JACKET // 26AWG, 2.5TP, UL20276, FOIL/BRAID/DRAIN SHIELD, COLOR BLACK, 30V
3. CABLE DIAMETER: 4.60mm+/-0.15mm
4. SHIELDING: 360°
5. PIN OUT BELOW:



| NORCOMP P/N | LENGTH | TOLERANCE |
|-----------------|----------|-----------|
| CCA-000-M01R208 | 1 METER | ±12mm |
| CCA-000-M02R208 | 2 METER | ±25mm |
| CCA-000-M03R208 | 3 METER | ±25mm |
| CCA-000-M05R208 | 5 METER | ±50mm |
| CCA-000-M10R208 | 10 METER | ±100mm |

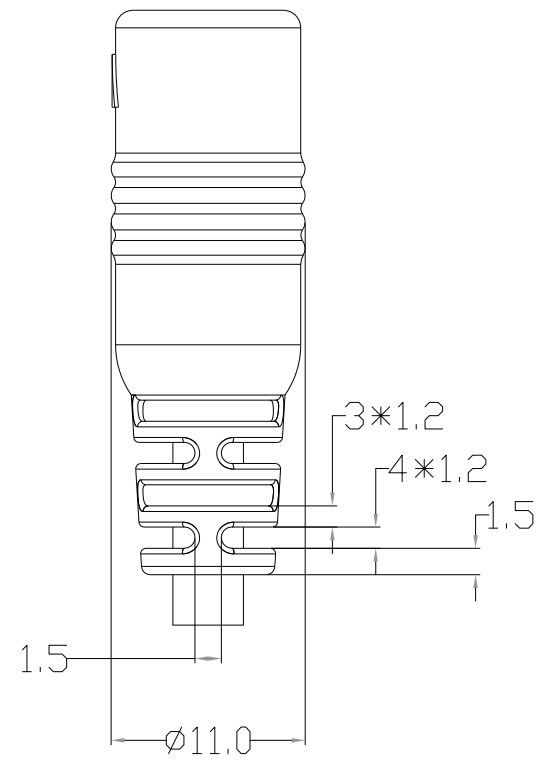
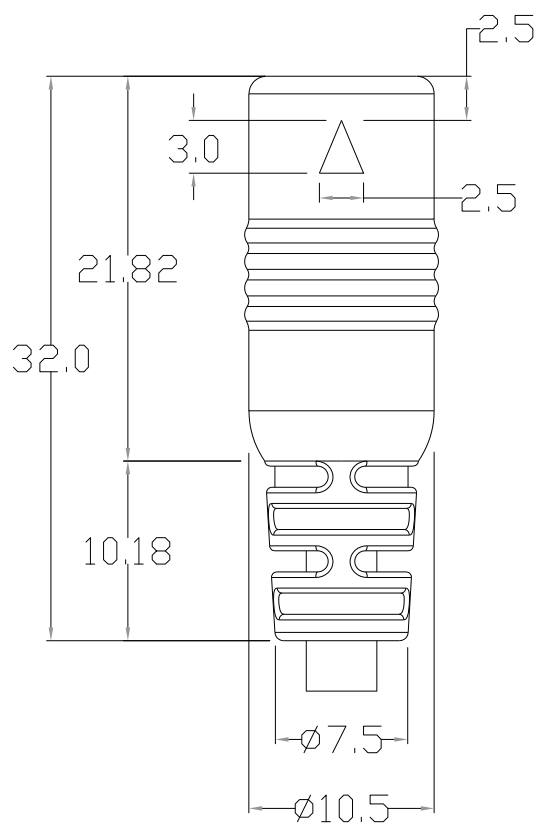
**SEE PAGE 3 FOR CABLE SPECIFICATIONS

RoHS COMPLIANT

UNITS = "as indicated" DO NOT SCALE FROM DRAWING

| | | |
|--|---|----------------------------|
| | THESE DRAWINGS AND SPECIFICATIONS ARE THE PROPERTY OF NorComp AND SHALL NOT BE REPRODUCED, COPIED OR USED AS THE BASIS FOR THE MANUFACTURE OR SALE OF APPARATUS WITHOUT WRITTEN PERMISSION. | DRAWN: M. SIGMON |
| | | DATE: 04/14/2015 |

| | | | |
|--|--------------------------------|--------------|-------|
| | SCALE: NTS | SHEET 1 OF 3 | REV 6 |
| | DWG NO. CCA-000-MYYR208 | | |



RoHS COMPLIANT

UNITS = mm

DO NOT SCALE FROM DRAWING



THESE DRAWINGS AND SPECIFICATIONS ARE THE PROPERTY OF NorComp AND SHALL NOT BE REPRODUCED, COPIED OR USED AS THE BASIS FOR THE MANUFACTURE OR SALE OF APPARATUS WITHOUT WRITTEN PERMISSION.

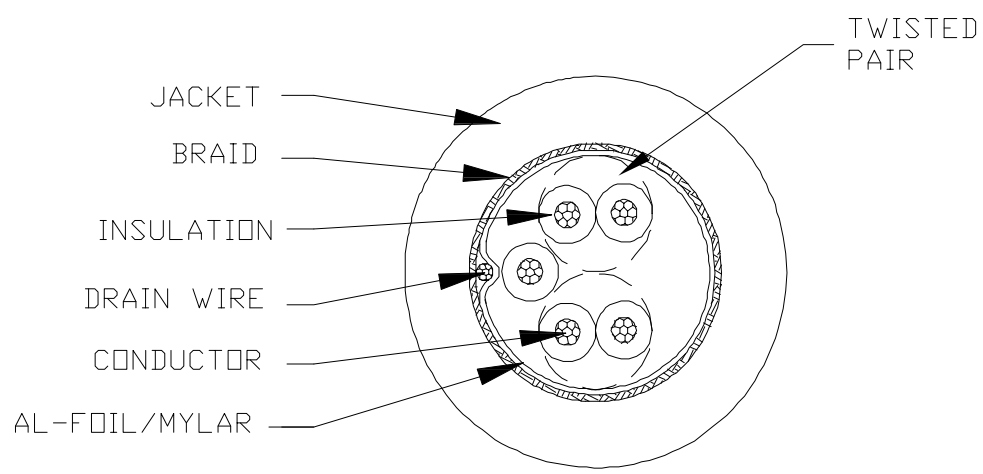
DRAWN:
M. SIGMON
DATE:
04/14/2015

NorComp

| | | | |
|---------------|------------|-----------------|----------|
| SCALE: NTS | SHEET 2 | OF 3 | REV 6 |
| DWG NO. | | CCA-000-MYYR208 | |

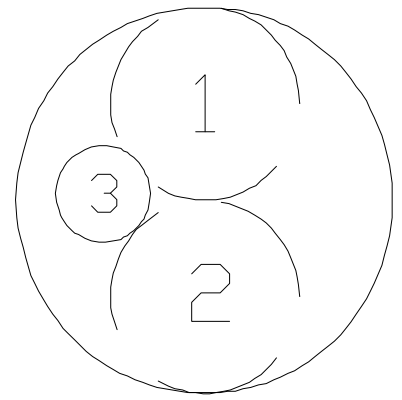
ELECTRICAL CHARACTERISTICS

VOLTAGE RATING : 30V
 TEMPERATURE RATING : 80°C
 SPARK TEST : AC-500V/0.15 sec MIN.
 DIELECTRIC STRENGTH : AC-750V/1 sec MIN.
 INSULATION RESISTANCE : SR-PVC: DC-500V 10 MOHM/KM MIN. AT 20°C
 CONDUCTOR RESISTANCE : 26AWG-153 OHM/KM MAX. AT 25°C



COLOR CODE

1. BLACK * BROWN (P570 & P571)
2. RED * ORANGE (P572 & P573)
3. YELLOW (574)



RoHS COMPLIANT

DO NOT SCALE FROM DRAWING



THESE DRAWINGS AND SPECIFICATIONS ARE THE PROPERTY OF NorComp AND SHALL NOT BE REPRODUCED, COPIED OR USED AS THE BASIS FOR THE MANUFACTURE OR SALE OF APPARATUS WITHOUT WRITTEN PERMISSION.

DRAWN: M. SIGMON
 DATE: 04/14/2015

NorComp

| | | |
|----------------------------|--------------------|----------|
| SCALE: NTS | SHEET 3 OF 3 | REV 6 |
| DWG NO. CCA-000-MYYR208 | | |