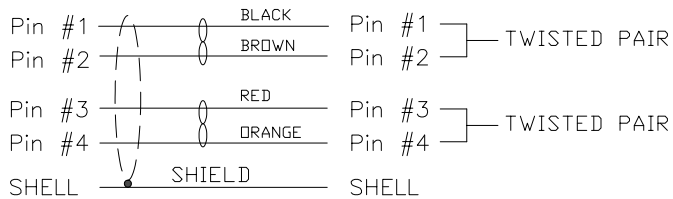


1. CONNECTOR 1: 854-004-203RLS4, MOLDED STRAIGHT HOOD, COLOR BLACK
2. CONNECTOR 2: 854-004-203RLS4, MOLDED STRAIGHT HOOD, COLOR BLACK
3. WIRE: 26AWG, 2.5TP, UL20276, FOIL/BRAID/DRAIN SHIELD, COLOR BLACK, 30V
4. CABLE DIAMETER: 4.60mm+/-0.15mm
5. SHIELDING: 360°
6. PIN OUT BELOW:



NORCOMP P/N	LENGTH	TOLERANCE
CCA-000-M01R205	1 METER	±12mm
CCA-000-M02R205	2 METER	±25mm
CCA-000-M03R205	3 METER	±25mm
CCA-000-M05R205	5 METER	±50mm
CCA-000-M10R205	10 METER	±100mm

**SEE PAGE 3 FOR CABLE SPECIFICATIONS

RoHS COMPLIANT

UNITS = "as indicated" DO NOT SCALE FROM DRAWING



THESE DRAWINGS AND SPECIFICATIONS ARE THE PROPERTY OF NorComp AND SHALL NOT BE REPRODUCED, COPIED OR USED AS THE BASIS FOR THE MANUFACTURE OR SALE OF APPARATUS WITHOUT WRITTEN PERMISSION.

DRAWN:
M. SIGMON

DATE:
04/14/2015

NorComp

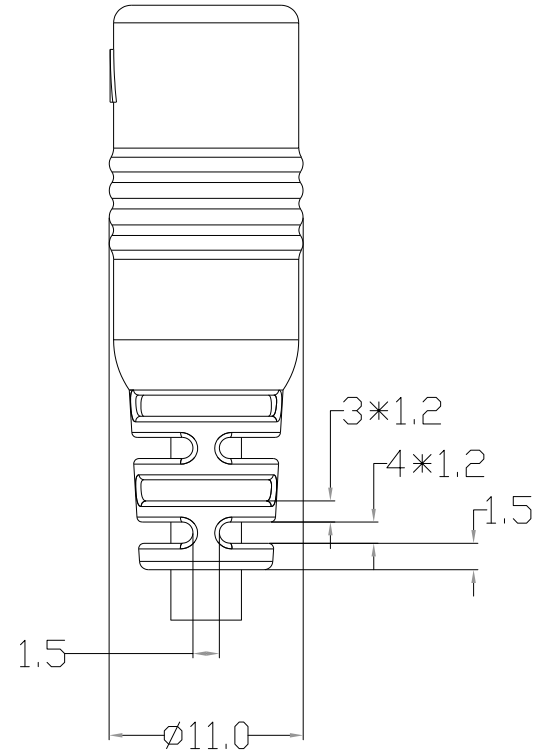
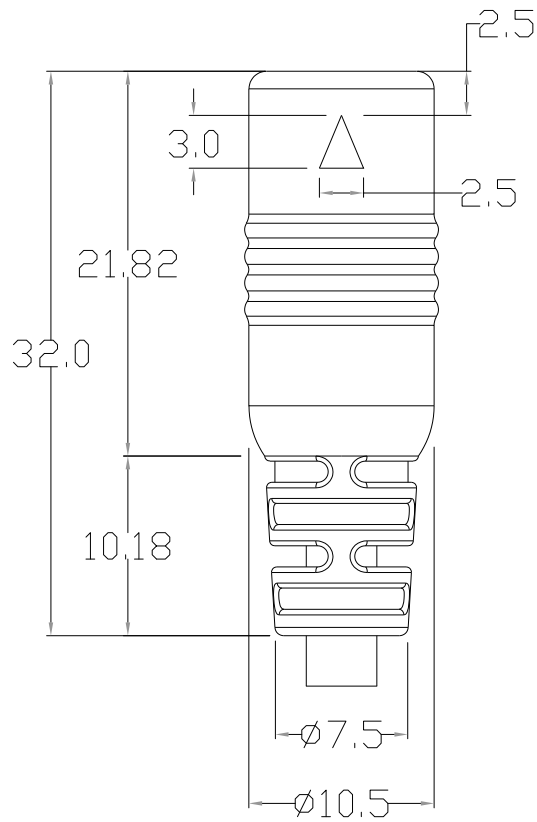
SCALE:
NTS

SHEET 1 OF 3

REV 7

DWG NO.

CCA-000-MYYR205



RoHS COMPLIANT

UNITS = mm

DO NOT SCALE FROM DRAWING



THESE DRAWINGS AND SPECIFICATIONS ARE THE PROPERTY OF NorComp AND SHALL NOT BE REPRODUCED, COPIED OR USED AS THE BASIS FOR THE MANUFACTURE OR SALE OF APPARATUS WITHOUT WRITTEN PERMISSION.

DRAWN:
M. SIGMON

DATE:
04/14/2015

NorComp

SCALE:
NTS

SHEET 2 OF 3

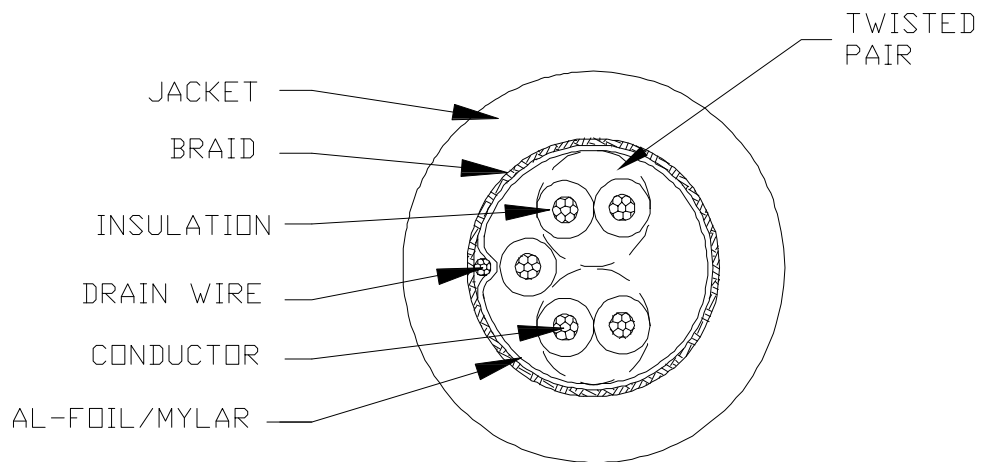
REV 7

DWG NO.

CCA-000-MYYR205

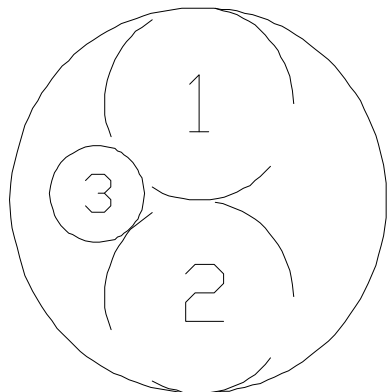
ELECTRICAL CHARACTERISTICS

VOLTAGE RATING : 30V
 TEMPERATURE RATING : 80°C
 SPARK TEST : AC-500V/0.15 sec MIN.
 DIELECTRIC STRENGTH : AC-750V/1 sec MIN.
 INSULATION RESISTANCE : SR-PVC: DC-500V 10 MOHM/KM MIN. AT 20°C
 CONDUCTOR RESISTANCE : 26AWG-153 OHM/KM MAX. AT 25°C



COLOR CODE

1. BLACK * BROWN (P570 & P571)
2. RED * ORANGE (P572 & P573)
3. YELLOW (574)



RoHS COMPLIANT

DO NOT SCALE FROM DRAWING



THESE DRAWINGS AND SPECIFICATIONS ARE THE PROPERTY OF NorComp AND SHALL NOT BE REPRODUCED, COPIED OR USED AS THE BASIS FOR THE MANUFACTURE OR SALE OF APPARATUS WITHOUT WRITTEN PERMISSION.

DRAWN:
M. SIGMON

DATE:
04/14/2015

NorComp

SCALE:
NTS

SHEET 3 OF 3

REV 7

DWG NO.

CCA-000-MYYR205