

NOTE:

MATERIAL

HOUSING: PA66 UL94V-0, BLACK
 CONTACT: BRASS
 NUT: BRASS
 SHELL: BRASS
 ORING: NBR
 GROUND: PHOSPHOR BRONZE

FINISH

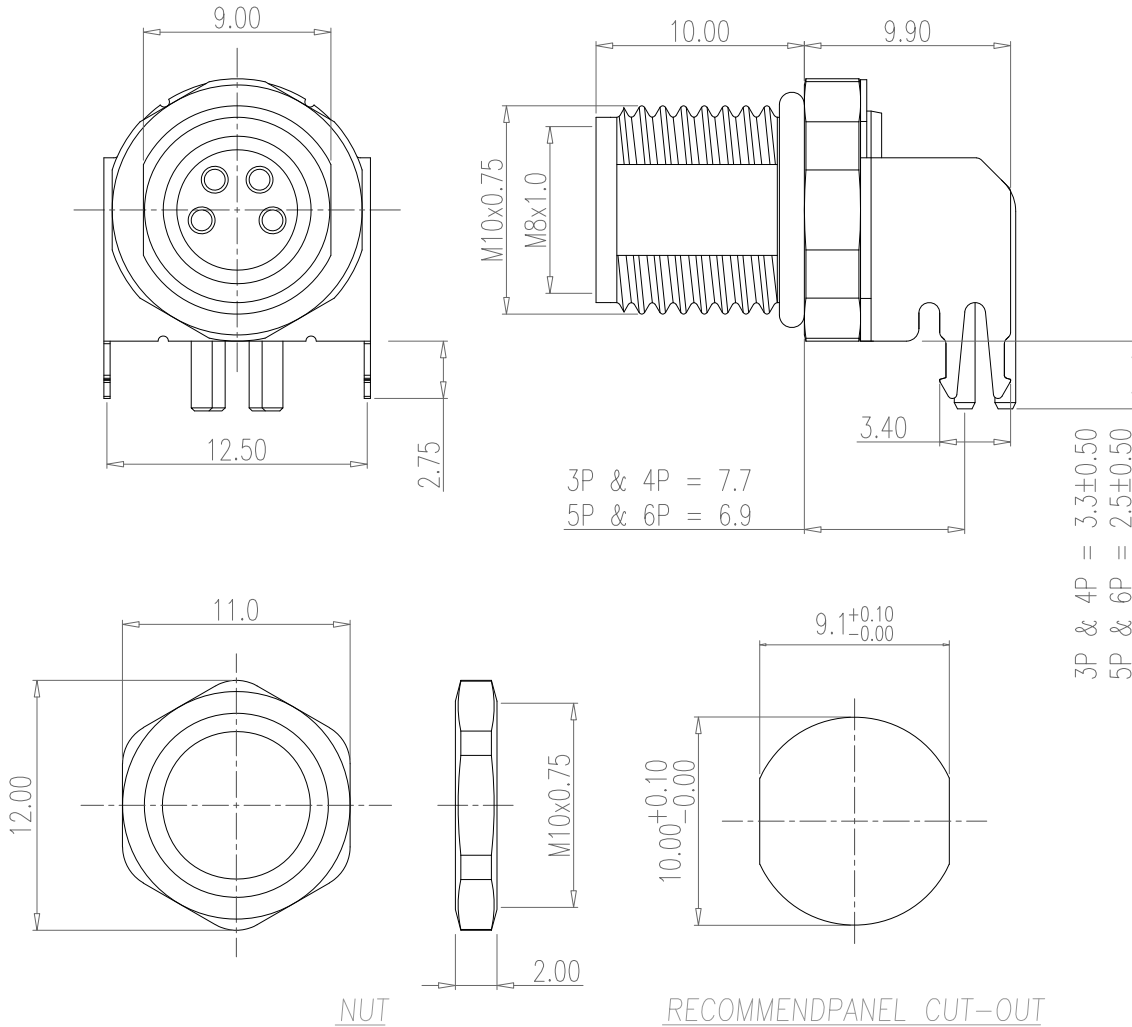
CONTACT: 10u" GOLD PLATED
 OVER NICKEL
 NUT: NICKEL
 SHELL: NICKEL
 GROUND: BRIGHT TIN

ELECTRICAL

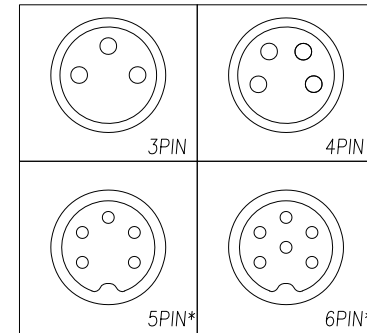
RATED CURRENT: 1.5A(5/6P) / 3A(3/4P)
 RATED VOLTAGE: 30V(5/6P) / 60V(3/4P)
 INSULATION RESISTANCE: 100 MΩhms MIN.
 CONTACT RESISTANCE: 10 mΩhms MAX.
 WATER PROOF: IP67

ENVIRONMENT

OPERATION TEMPERATURE: -40°C TO +85°C



MATING FACE VIEW



857-YYY-213R004

003 = 3 POSITION
 004 = 4 POSITION
 005 = 5 POSITION
 006 = 6 POSITION

*Key not required on mating connector.
 NorComp M8 5P & 6P male mates do not have key.

RoHS COMPLIANT

UNITS = mm

DO NOT SCALE FROM DRAWING



THESE DRAWINGS AND SPECIFICATIONS ARE THE PROPERTY OF NorComp AND SHALL NOT BE REPRODUCED, COPIED OR USED AS THE BASIS FOR THE MANUFACTURE OR SALE OF APPARATUS WITHOUT WRITTEN PERMISSION.

DRAWN:

J. KADEL

DATE:

06/21/2021

NorComp

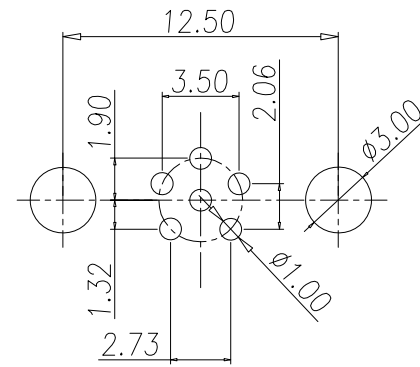
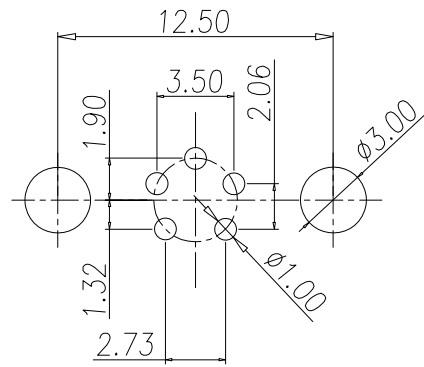
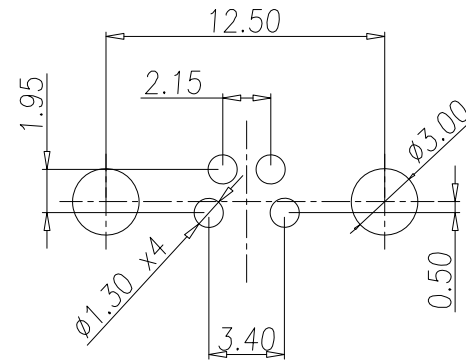
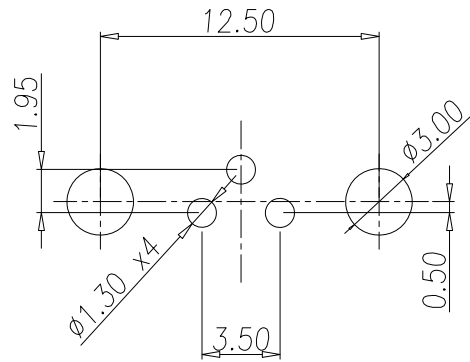
SCALE: NTS

SHEET 1 OF 2

REV 2

DWG NO.

857-YYY-213R004



RoHS COMPLIANT

UNITS = mm

DO NOT SCALE FROM DRAWING



THESE DRAWINGS AND SPECIFICATIONS ARE THE PROPERTY OF NorComp AND SHALL NOT BE REPRODUCED, COPIED OR USED AS THE BASIS FOR THE MANUFACTURE OR SALE OF APPARATUS WITHOUT WRITTEN PERMISSION.

DRAWN:

J. KADEL

DATE:

06/21/2021

NorComp

SCALE:
NTS

SHEET OF
2 2

REV
2

DWG NO.

857-YYY-213R004