

DESCRIPTION: M8 // BCODE // FEMALE // PANEL MOUNT // PCB

SPECIFICATIONS:

MATERIALS:

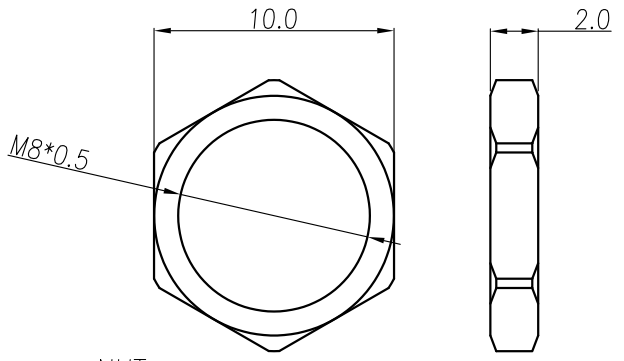
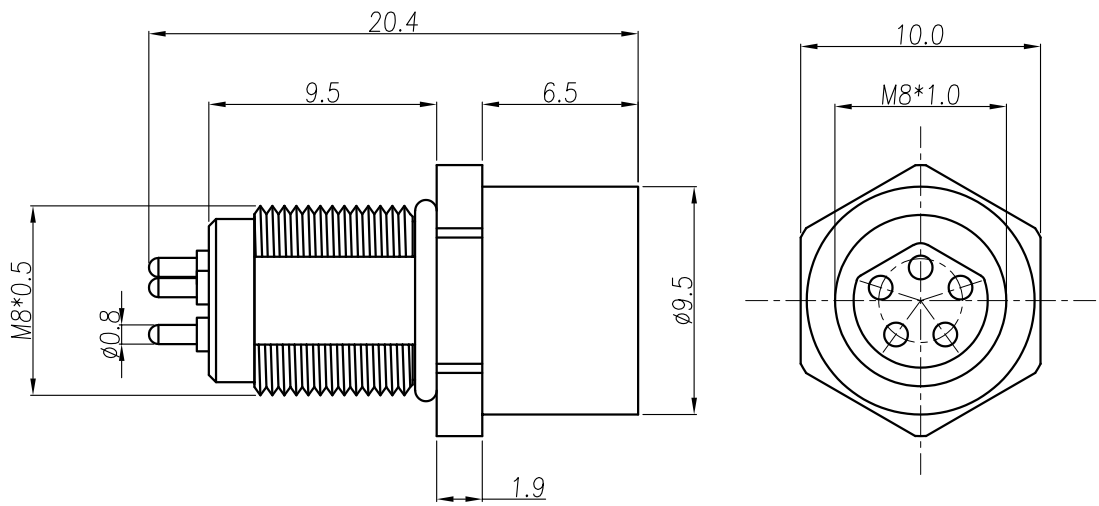
HOUSING: PBT, UL94 V-0, BLACK
 CONTACTS: GOLD PLATED BRASS (SEE P/N KEY BELOW)
 NUT: NICKEL PLATED BRASS
 SHELL: NICKEL PLATED BRASS
 ORING: EPDM

ELECTRICAL:

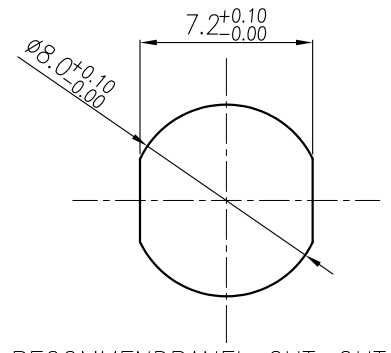
RATED CURRENT: 1.5A
 RATED VOLTAGE: 30V
 INSULATION RESISTANCE: 100 MOhms
 CONTACT RESISTANCE: 10 mOhms

ENVIRONMENT:

OPERATING TEMPERATURE: -40°C TO +85°C
 WATER PROOF: IP67

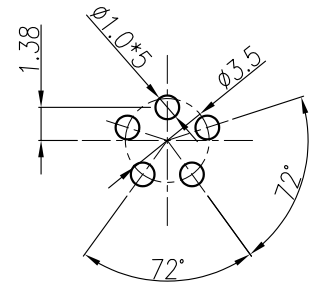


NUT



RECOMMEND PANEL CUT-OUT

856-B05-213R00Y
 1 = GOLD FLASH
 4 = 10µ" GOLD



RECOMMEND P.C.B LAYOUT

RoHS COMPLIANT

UNITS = mm

DO NOT SCALE FROM DRAWING



THESE DRAWINGS AND SPECIFICATIONS ARE THE PROPERTY OF NorComp AND SHALL NOT BE REPRODUCED, COPIED OR USED AS THE BASIS FOR THE MANUFACTURE OR SALE OF APPARATUS WITHOUT WRITTEN PERMISSION.

DRAWN: J. KADEL
 DATE: 10/13/2022



SCALE: NTS	SHEET 1 OF 1	REV 2
DWG NO. 856-B05-213R004		